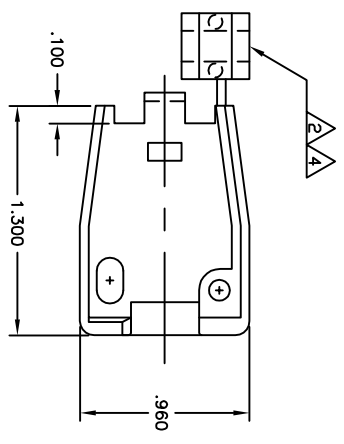
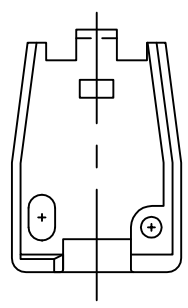
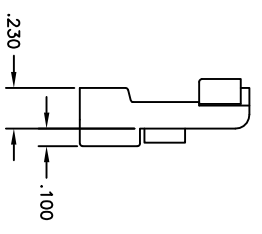


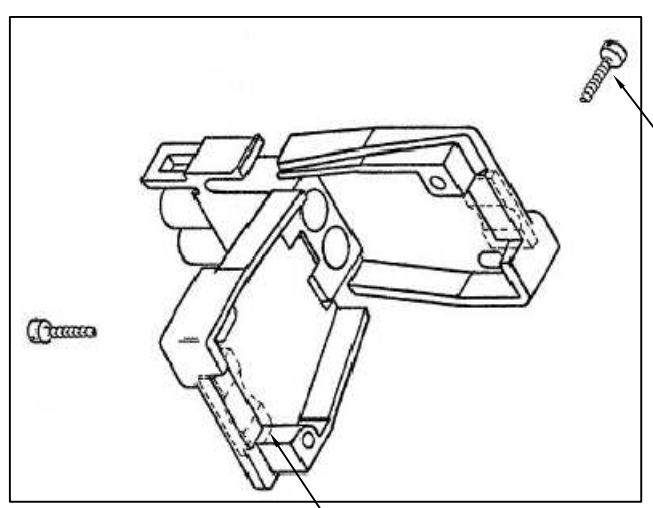
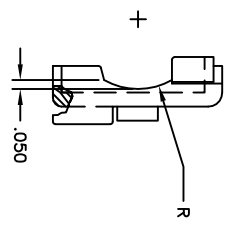
- △ SHEET METAL SCREWS NOT SUPPLIED
- △ INSERT IS ATTACHED TO STRAIN RELIEF, AS AN ADDITIONAL ADJUSTMENT FOR SMALL WIRE BUNDLES, IT SHOULD BE CUT-OFF AND POSITIONED AS SHOWN BY DOTTED LINES.
- △ TWO REQUIRED PER CONNECTOR
- △ STYLE 2 DOES NOT INCLUDE INSERT.
- △ DETACHABLE INSERT MAY SEPARATE FROM STRAIN RELIEF BODY DURING SHIPPING.



STYLE 1



STYLE 2



(2 REQ'D) #6 X .375 LONG, TYPE '8'  
 PAN HEAD SHEET METAL SCREW

REV	DATE	DESCRIPTION	BY	CHK	APP
D1		REVISED PER ESR-13-017009			

DIMENSIONS		DIMENSIONS		DIMENSIONS	
INCHES		MILLIMETERS		MILLIMETERS	
0	1/16	0	0.5	0	0.5
1	1/8	1	1.0	1	1.0
2	3/16	2	1.5	2	1.5
3	1/4	3	2.0	3	2.0
4	5/16	4	2.5	4	2.5
5	3/8	5	3.0	5	3.0
6	7/16	6	3.5	6	3.5
7	1/2	7	4.0	7	4.0
8	5/8	8	4.5	8	4.5
9	3/4	9	5.0	9	5.0
10	7/8	10	5.5	10	5.5
11	1	11	6.0	11	6.0
12	1 1/8	12	6.5	12	6.5
13	1 1/4	13	7.0	13	7.0
14	1 3/8	14	7.5	14	7.5
15	1 1/2	15	8.0	15	8.0
16	1 5/8	16	8.5	16	8.5
17	1 3/4	17	9.0	17	9.0
18	1 7/8	18	9.5	18	9.5
19	2	19	10.0	19	10.0
20	2 1/8	20	10.5	20	10.5
21	2 1/4	21	11.0	21	11.0
22	2 3/8	22	11.5	22	11.5
23	2 1/2	23	12.0	23	12.0
24	2 5/8	24	12.5	24	12.5
25	2 3/4	25	13.0	25	13.0
26	2 7/8	26	13.5	26	13.5
27	3	27	14.0	27	14.0
28	3 1/8	28	14.5	28	14.5
29	3 1/4	29	15.0	29	15.0
30	3 3/8	30	15.5	30	15.5
31	3 1/2	31	16.0	31	16.0
32	3 5/8	32	16.5	32	16.5
33	3 3/4	33	17.0	33	17.0
34	3 7/8	34	17.5	34	17.5
35	4	35	18.0	35	18.0
36	4 1/8	36	18.5	36	18.5
37	4 1/4	37	19.0	37	19.0
38	4 3/8	38	19.5	38	19.5
39	4 1/2	39	20.0	39	20.0
40	4 5/8	40	20.5	40	20.5
41	4 3/4	41	21.0	41	21.0
42	4 7/8	42	21.5	42	21.5
43	5	43	22.0	43	22.0
44	5 1/8	44	22.5	44	22.5
45	5 1/4	45	23.0	45	23.0
46	5 3/8	46	23.5	46	23.5
47	5 1/2	47	24.0	47	24.0
48	5 5/8	48	24.5	48	24.5
49	5 3/4	49	25.0	49	25.0
50	5 7/8	50	25.5	50	25.5
51	6	51	26.0	51	26.0
52	6 1/8	52	26.5	52	26.5
53	6 1/4	53	27.0	53	27.0
54	6 3/8	54	27.5	54	27.5
55	6 1/2	55	28.0	55	28.0
56	6 5/8	56	28.5	56	28.5
57	6 3/4	57	29.0	57	29.0
58	6 7/8	58	29.5	58	29.5
59	7	59	30.0	59	30.0
60	7 1/8	60	30.5	60	30.5
61	7 1/4	61	31.0	61	31.0
62	7 3/8	62	31.5	62	31.5
63	7 1/2	63	32.0	63	32.0
64	7 5/8	64	32.5	64	32.5
65	7 3/4	65	33.0	65	33.0
66	7 7/8	66	33.5	66	33.5
67	8	67	34.0	67	34.0
68	8 1/8	68	34.5	68	34.5
69	8 1/4	69	35.0	69	35.0
70	8 3/8	70	35.5	70	35.5
71	8 1/2	71	36.0	71	36.0
72	8 5/8	72	36.5	72	36.5
73	8 3/4	73	37.0	73	37.0
74	8 7/8	74	37.5	74	37.5
75	9	75	38.0	75	38.0
76	9 1/8	76	38.5	76	38.5
77	9 1/4	77	39.0	77	39.0
78	9 3/8	78	39.5	78	39.5
79	9 1/2	79	40.0	79	40.0
80	9 5/8	80	40.5	80	40.5
81	9 3/4	81	41.0	81	41.0
82	9 7/8	82	41.5	82	41.5
83	10	83	42.0	83	42.0
84	10 1/8	84	42.5	84	42.5
85	10 1/4	85	43.0	85	43.0
86	10 3/8	86	43.5	86	43.5
87	10 1/2	87	44.0	87	44.0
88	10 5/8	88	44.5	88	44.5
89	10 3/4	89	45.0	89	45.0
90	10 7/8	90	45.5	90	45.5
91	11	91	46.0	91	46.0
92	11 1/8	92	46.5	92	46.5
93	11 1/4	93	47.0	93	47.0
94	11 3/8	94	47.5	94	47.5
95	11 1/2	95	48.0	95	48.0
96	11 5/8	96	48.5	96	48.5
97	11 3/4	97	49.0	97	49.0
98	11 7/8	98	49.5	98	49.5
99	12	99	50.0	99	50.0
100	12 1/8	100	50.5	100	50.5

# Mouser Electronics

Authorized Distributor

Click to View Pricing, Inventory, Delivery & Lifecycle Information:

[TE Connectivity:](#)

[1-640719-1](#)