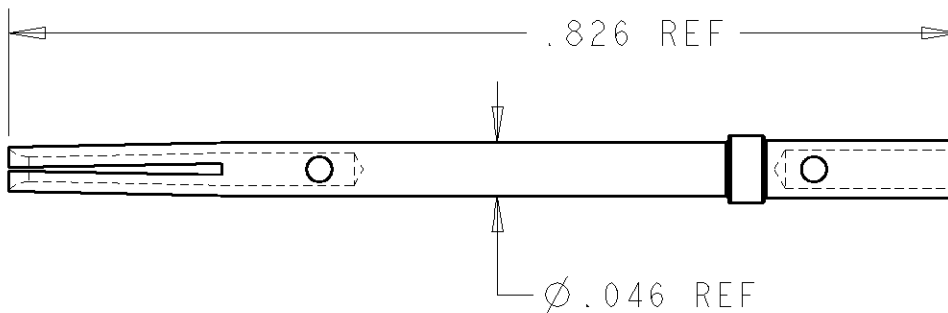


LOC	DIST	REVISIONS					
DF	A5	P	LTR	DESCRIPTION	DATE	DWN	APVD
			0			DRAWN - RELEASED PER OH14-0039-05	12JAN2005



1. THIS SOCKET CONTACT IS A REPLACEMENT COMPONENT FOR USE ON QUADRAX SOCKET ASSEMBLY AS SHOWN ON THE FOLLOWING DRAWING(S): 1445693.

20

RELEASED FOR PUBLICATION

THIS DRAWING IS UNPUBLISHED.

BY TYCO ELECTRONICS CORPORATION. ALL RIGHTS RESERVED.

© COPYRIGHT 20

50	1445700-5
BULK PACKAGE QUANTITY	PART NUMBER

DIMENSIONS: IN	DWN	Brent D. Yohn	12JAN2005	MATERIAL	-	FINISH	-
	CHK	R.P. WALTER	13JAN2005	Tyco Electronics Harrisburg, PA 17105-3608			
TOLERANCES UNLESS OTHERWISE SPECIFIED:	APVD	R.P. WALTER	13JAN2005				
0 PLC ±-	PRODUCT SPEC	NAME CONTACT, SOCKET, CRIMP, SIZE 24, QUADRAX					
1 PLC ±-	-						
2 PLC ±-	APPLICATION SPEC	SIZE A4 CAGE CODE 00779 DRAWING NO C=1445700 RESTRICTED TO -					
3 PLC ±-	-	WEIGHT -					
4 PLC ±-		CUSTOMER DRAWING SCALE 6:1 SHEET 1 OF 1 REV 0					
ANGLES ±-							



Mouser Electronics

Authorized Distributor

Click to View Pricing, Inventory, Delivery & Lifecycle Information:

[TE Connectivity:](#)

[1445700-5](#)