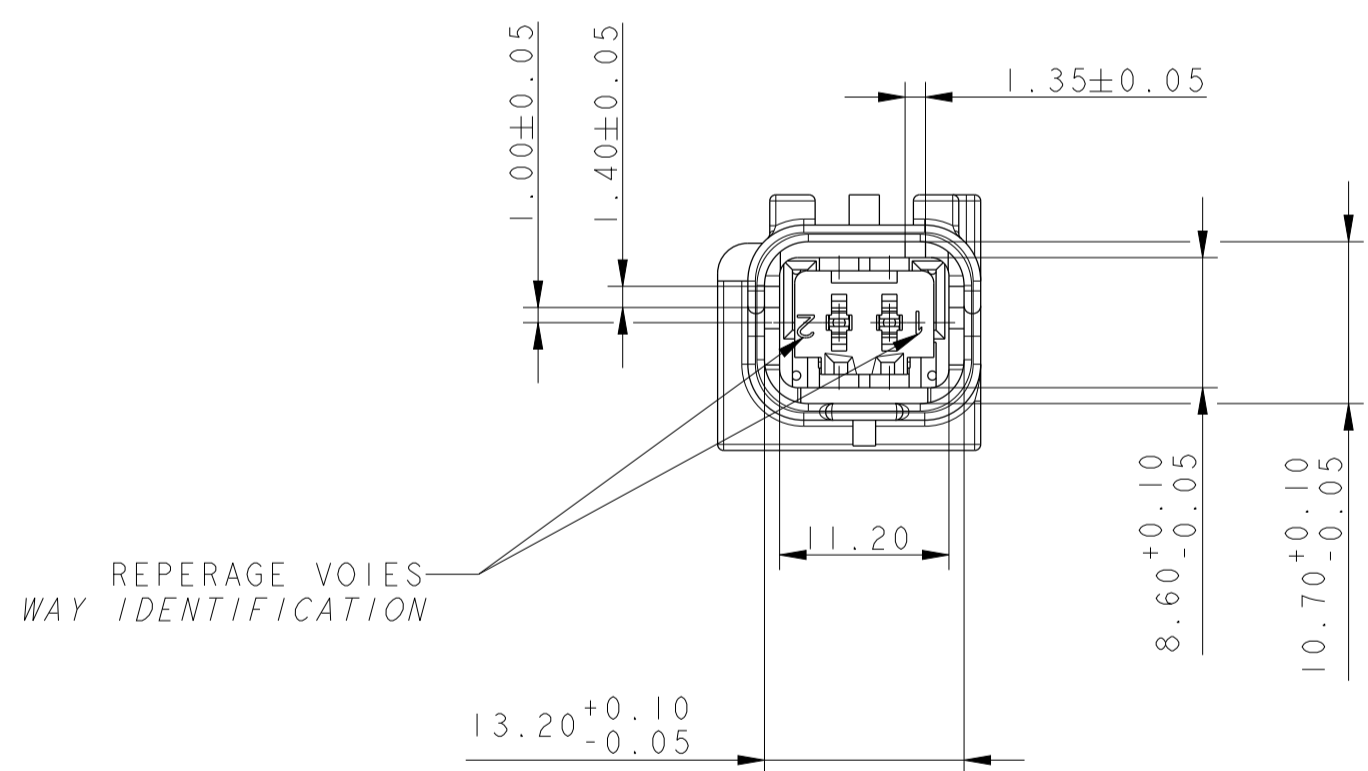
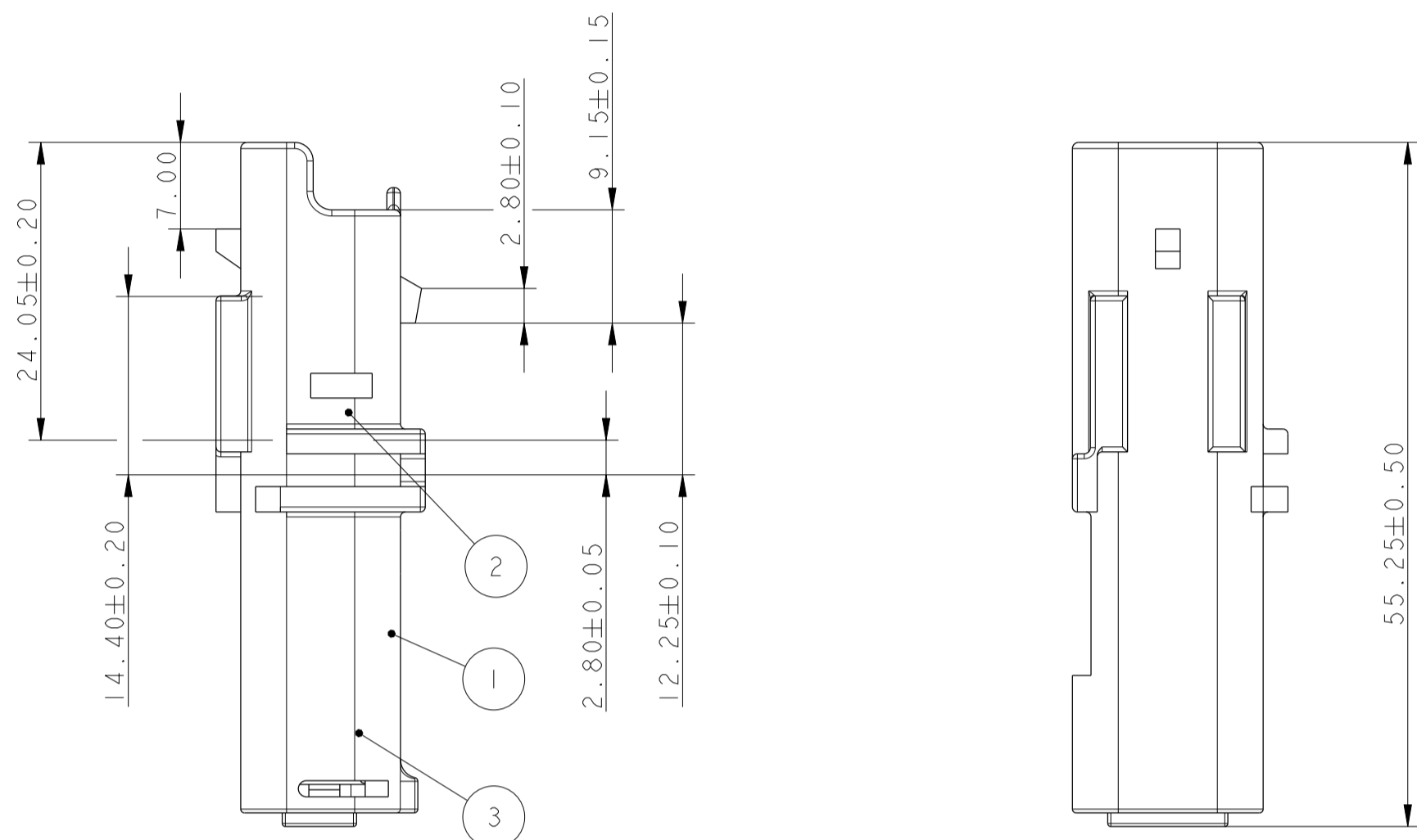
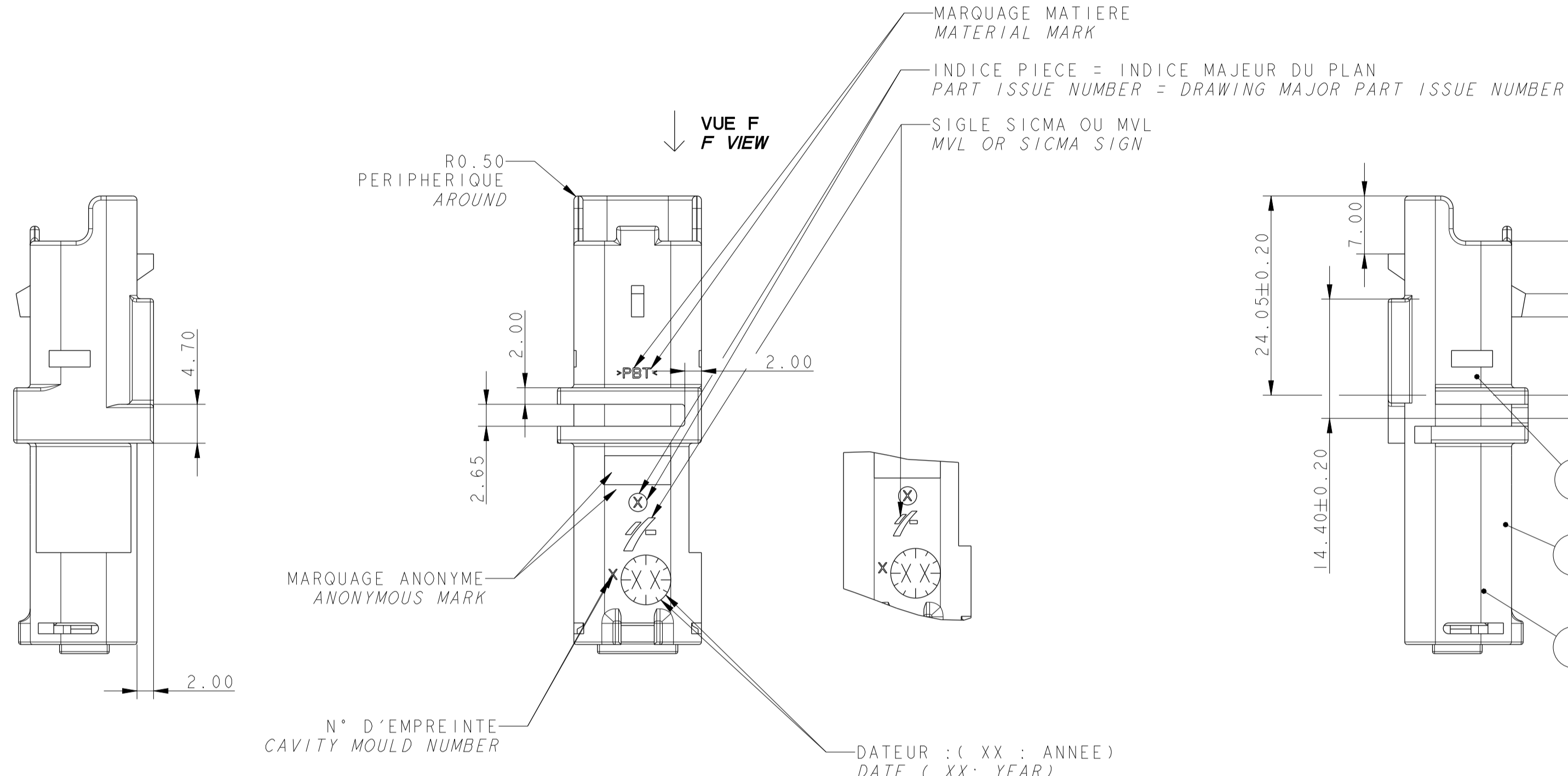
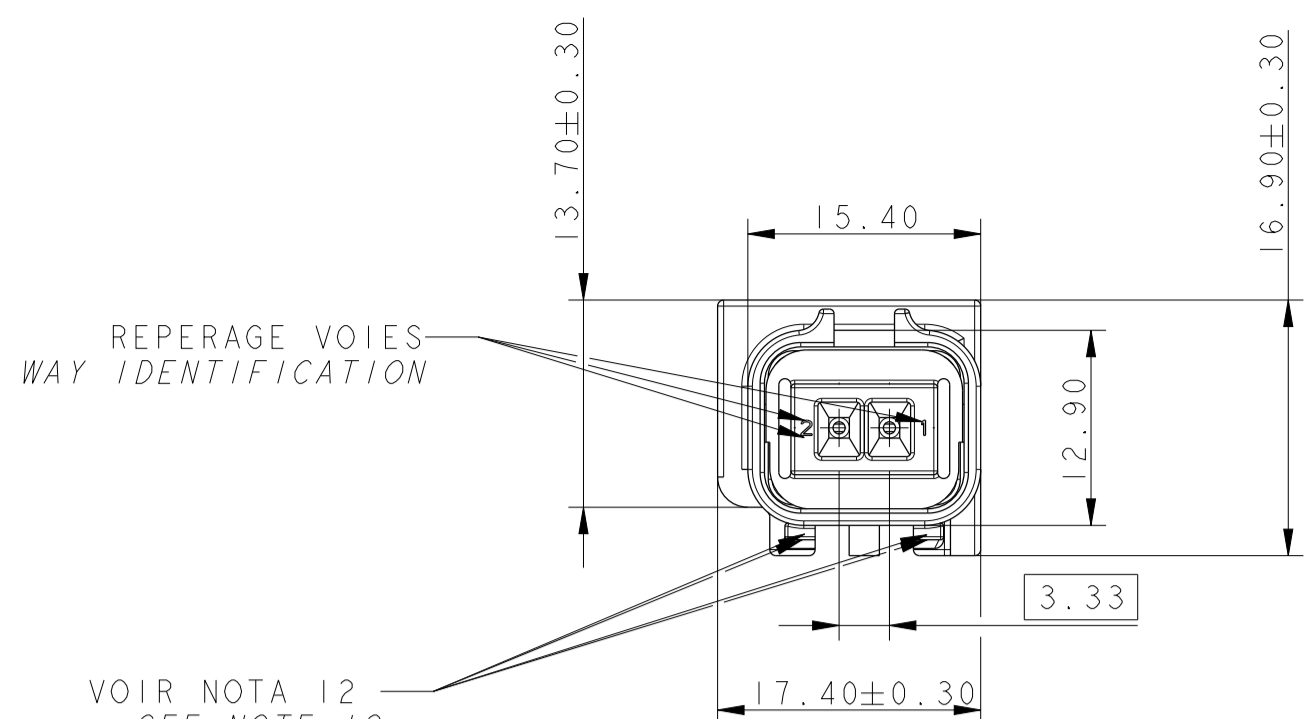
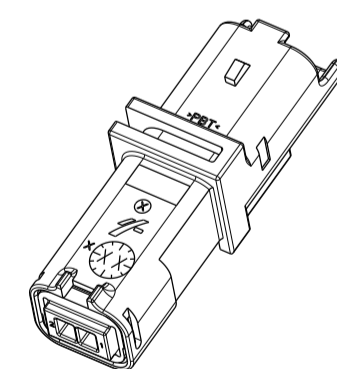


NOTA NOTE	SPECIFICATIONS
1	CONNECTEUR DOIT ETRE CONFORME AU CDC :96 238 404 99 FEMALE CONNECTOR ACCORDING TO PSA SPECIFICATION: 96 238 404 99
2	CONNECTEUR SUIVANT: FEMALE CONNECTOR ACCORDING TO: -CLASSE DE TEMPERATURE T3 SELON B217050 REV A -TEMPERATURE CLASS T3 ACCORDING TO B217050 REV A -CLASSE DE VIBRATION MOTEUR SELON B217050 REV A -ENGINE VIBRATOR CLASS ACCORDING TO B217050 REV A -CLASSE ETANCHEITE 2 SELON B217050 REV A -SEALING CLASS 2 ACCORDING TO B217050 REV A
3	PRECONISATION D'UTILISATION / USER'S MANUAL: REF MVL: PU 008 / MVL'S REFERENCE : PU008 REF PSA:96 355 785 99/PSA'S REFERENCE:96 355 785 99
4	ALVEOLE SUIVANT STE: 96 289 050 99 CAVITY ACCORDING TO STE: 96 289 050 99
5	CONNECTEUR ET POSITION ALVEOLE CONFORMES AU PLAN D'INTERFACE 211FT0523 ET STE 96 339 622 99 FEMALE CONNECTOR AND CAVITY'S POSITION ACCORDING TO DRAWING INTERFACE 211FT0523 AND STE 96 339 622 99
6	CONDUCTEUR SUIVANT : STE 96 418 794 99 WIRE ACCORDING TO : STE96 418 794 99
7	CONDITIONNEMENT SUIVANT NORME: E73 03 150G PACKAGING ACCORDING TO STANDARD: E73 03 150G
8	DIAMETRE DE FILS / WIRE DIAMETER Ø1.5 MINI=1.40 MAXI=2.80
9	MASSE DU PRODUIT LIVRABLE : 7g DELIVERY CONNECTOR WEIGHT: 7g
10	CHARNIERE DE PLAQUETTE ARRIERE ABSENTE OU CASSEE ADMISE NO WAFER HINGE OR WAFER HINGE BROKEN ALLOWED
11	DEFAUTS D'ASPECT SUR ZONES NON FONCTIONNELLES ADMIS VISUAL DEFECTS ON NO FUNCTIONAL AREAS ALLOWED
12	ACCROCHAGE SELON STE 96 153 261 99 HOLDING ACCORDING TO STE 96 153 261 99



1	ISOLANT PORTE-LANGUETTES INSULATOR MALE CONNECTOR	211 I 1 042	PBT 0% FV PBT 0% GF	MARRON BROWN
		211 I 5 042		VERT GREEN
		211 I 4 042		JAUNE YELLOW
		211 I 8 042		GRIS GREY
		211 I 6 042		BLEU BLUE
		211 I 0 042		NOIR BLACK
2	GRILLE TPA	211 M 4 023	PBT 15% FV PBT 15% GF	JAUNE YELLOW
3	GROMMET MAT SEAL	211 M 108	SILICONE AUTO LUBRIFIE 7% HUILE DURETE: 30±5 SHORE A SELF-LUBRICATED SILICON 7% OIL, HARDNESS: 30±5 SHORE A	VERT GREEN
N°	DESIGNATION DESCRIPTION	REFERENCE MVL MVL P/N	MATIERE MATERIAL	COULEUR COLOUR

REPERAGE VOIES WAY IDENTIFICATION



SCALE 1:1

VUE F F VIEW ± 0.10	4.05	2.70	1.35	1.35	1.35	2.70	1.35
COULEUR DE CODAGE CODING COLOUR	CODAGE NOIR BLACK CODING	CODAGE BLEU BLUE CODING	CODAGE GRIS GREY CODING	CODAGE JAUNE YELLOW CODING	CODAGE VERT GREEN CODING	CODAGE MARRON BROWN CODING	CODAGE BLANC WHITE CODING
REFERENCE REFERENCE	211 PL 02 2 S 0 049	211 PL 02 2 S 6 049	211 PL 02 2 S 8 049	211 PL 02 2 S 4 049	211 PL 02 2 S 5 049	211 PL 02 2 S 1 049	211 PL 02 2 S 9 049
REVISION REVISION	A	A	A	A	A	A	A
REFERENCE REFERENCE	10787262	10768567	10889967	10846261	10812039	10847162	13642521
REVISION REVISION	02	02	01	02	02	02	01

ECN-NUMERO ECN	POSITION POSITION	CHANGE DESCRIPTION MODIFICATION
-	-	DELPHI P/N ADDED
<small>PROJECT SPEC. SPECIF. PRODUIT</small> <small>PACKAGING SPEC. SPECIF. EMBALLAGE</small> <small>APPLICATION SPEC. SPECIF. APPLICATION</small> <small>COPYRIGHT DELPHI CORPORATION AND/OR ITS AFFILIATES. ALL RIGHTS RESERVED. REVISED THIS DRAWING IS THE PROPERTY OF DELPHI CORPORATION AND CONTAINS DELPHI CONFIDENTIAL INFORMATION. THE REPRODUCTION, DISTRIBUTION AND REALIZATION OF THIS DOCUMENT BY ANY MEANS, IN ANY FORM OR BY ANY MEANS, IS PROHIBITED WITHOUT EXPRESS AUTHORIZATION. IS PROHIBITED REPRODUIRE, DISTRIBUER ET REALISER CE DOCUMENT EN TOUT CONTENU A TITRE, SANS AUTORISATION ECRITE. EST INTERDIT.</small>		
TOLERANCES TOLERANCES	±0.1 ±0.2	MATERIE: VOIR TABLEAU ETAT DE SURFACE COULEUR: SEE TABLE
CONTRIBUTOR N°	DELPHI	DELPHI PACKARD ELECTRICAL/ELECTRONIC ARCHITECTURE EPFONEN, FRANCE
DO NOT REASURE DRAWING	NO PAS REASURE	ECO EXP: 664 FE ISO PROJECTION PROJECTION ISO
DATE	NAME	TITLE
2008-02-27	DE MATON	2-WAY 15x08 MALE CONNECTOR
2013/09/14	F PALME	PROJECT
2013/09/10	S LACOTE	MINI SEALED MALE CONNECTOR
2013/09/10	FRANC MENARD	ESP NO. FRA-0102
2013/09/10	NUMERO ESP	FRA-0102
211FT0522	NUMERO CAD	REV. 00
211FT0522	NUMERO CAD	REV. 00
211FT0522	NUMERO CAD	REV. 00

DELPHI	PROJ. / ENG.	REV.	APPROVAL LEVEL
DELPHI	pro / eng.	1	REV. 00
DELPHI	pro / eng.	1	REV. 00
DELPHI	pro / eng.	1	REV. 00

DELPHI	PROJ. / ENG.	REV.	APPROVAL LEVEL
DELPHI	pro / eng.	1	REV. 00
DELPHI	pro / eng.	1	REV. 00
DELPHI	pro / eng.	1	REV. 00

EUR C04 112 F29

Mouser Electronics

Authorized Distributor

Click to View Pricing, Inventory, Delivery & Lifecycle Information:

[Aptiv:](#)

[211PL022S0049](#) [211PL022S1049](#) [211PL022S4049](#) [211PL022S5049](#) [211PL022S6049](#) [211PL022S8049](#)
[211PL022S6049-B](#) [211PL022S1049-B](#) [211PL022S5049-B](#) [211PL022S8049-B](#) [211PL022S0049-B](#) [211PL022S4049-](#)
[B](#)