

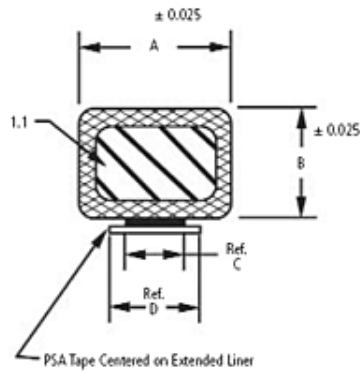
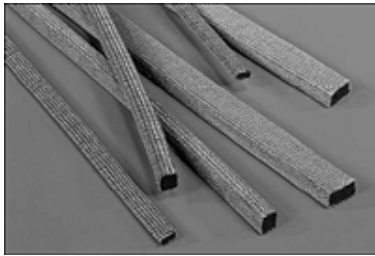
Item # 8417-3051-62, Ultrasoft Knit EMI Gaskets

IMAGE
 NOT
 AVAILABLE

Ultrasoft Knit EMI Gaskets

Stock Locator

Laird Technologies UltraSoft Knit EMI gasket material consists of a metalized nylon yarn knit over a flame retardant UL 94 HF-1 low density foam polyester core material. The close-knit stitch of the metalized nylon provides a highly effective EMI shield, as well as a smooth, soft surface that will not abrade plated plastic interfaces.



SPECIFICATIONS

Dimension A	0.187 inches
Dimension A	4.7 mm
Dimension B	0.187 inches
Dimension B	4.7 mm
Dimension C	0.093 inches
Dimension C	2.4 mm
Dimension D	0.279 inches
Dimension D	7.1 mm
Length	7 ft.

Length	2.1 M
EMI Shield Material	Silver plated nylon
Foam Core Material	Low density UL 94 HF-1approved polyester
Pressure Sensitive Adhesive Material	Acrylic

Mouser Electronics

Authorized Distributor

Click to View Pricing, Inventory, Delivery & Lifecycle Information:

Laird:

[8417305162](#)