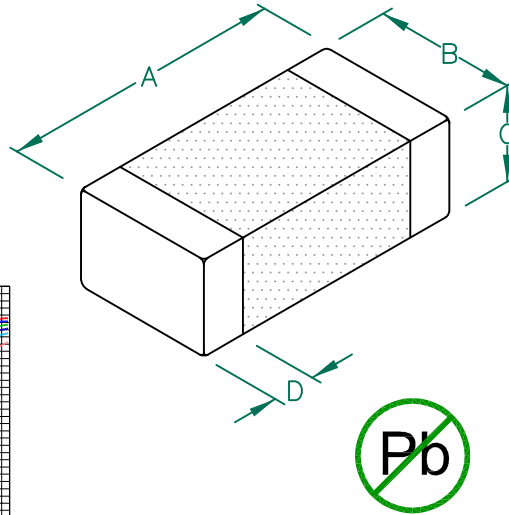


# MI1206K260R-10

**UNCONTROLLED DOCUMENT**

**PHYSICAL DIMENSIONS:**

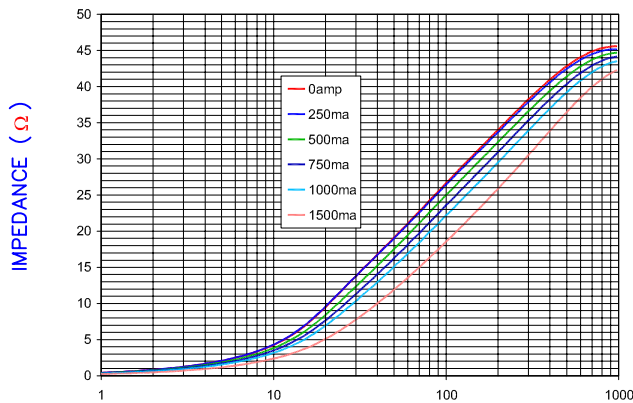
A	3.20 [.126]	+ 0.20 [.008]
B	1.60 [.063]	+ 0.20 [.008]
C	1.10 [.043]	+ 0.20 [.008]
D	0.51 [.020]	+ 0.25 [.010]



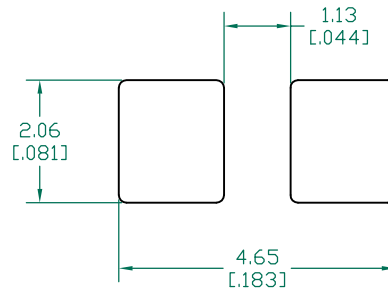
ELECTRICAL CHARACTERISTICS:			
Z @ 100MHz (Ω)	DCR (Ω)	Rated Current	
Nominal	26		
Minimum	20		
Maximum	33	0.060	1500 mA

- NOTES: UNLESS OTHERWISE SPECIFIED
1. TAPED AND REELED per CURRENT EIA SPECIFICATIONS 7" REELS, 3000 PCS/REEL.
  2. COMPONENTS SHOULD BE ADEQUATELY PREHEATED BEFORE SOLDERING.
  3. TERMINATION FINISH IS 100% TIN.
  4. OPERATING TEMP. RANGE: -40°C~+125°C. (INCLUDING SELF-HEATING)

Z vs FREQUENCY IMPEDANCE UNDER DC BIAS

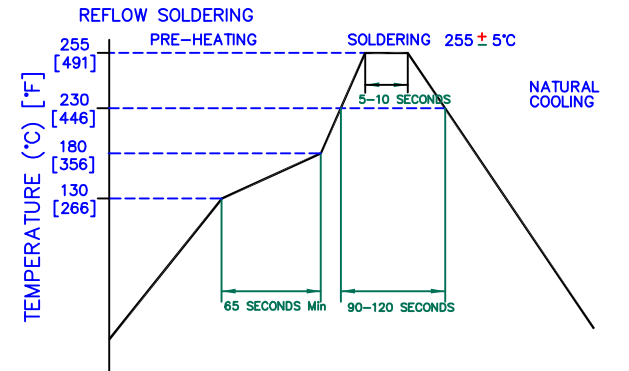


**LAND PATTERNS FOR REFLOW SOLDERING**



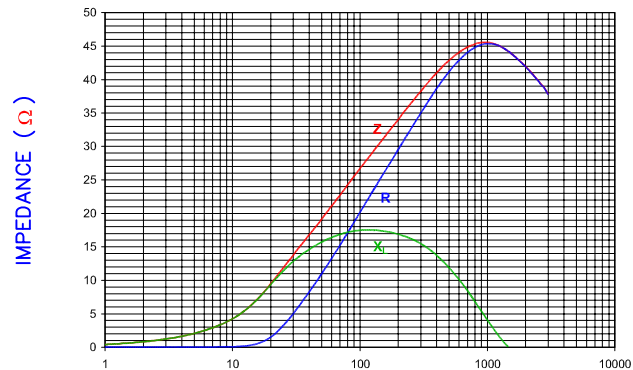
(For wave soldering, add 0.762 (.030) to this dimension)

**RECOMMENDED SOLDERING CONDITIONS**



FREQUENCY (MHz)

|Z|, R, AND X vs. FREQUENCY



Z R X<sub>L</sub>



DIMENSIONS ARE IN mm [INCHES].				This print is the property of Laird Tech. and is loaned in confidence subject to return upon request and with the understanding that no copies shall be made without the written consent of Laird Tech. All rights to design or invention are reserved.			
				<b>Laird</b>			
C	ADD OPERATING TEMPERATURE UPDATE LAIRD LOGO AND REFLOW CURVE	08/05/13	QU	PROJECT/PART NUMBER:	REV	PART TYPE:	DRAWN BY:
B	UPDATE COMPANY LOGO ADD ROHS	8/20/08	JRK	MI1206K260R-10	C	CO-FIRE	JRK
A	ORIGINAL DRAFT	04/13/04	JRK	DATE:	SCALE:	NTS	SHEET:
REV	DESCRIPTION	DATE	INT	GAD #	TOOL #	-	2 of 2

# Mouser Electronics

Authorized Distributor

Click to View Pricing, Inventory, Delivery & Lifecycle Information:

Laird:

[MI1206K260R-10](#)