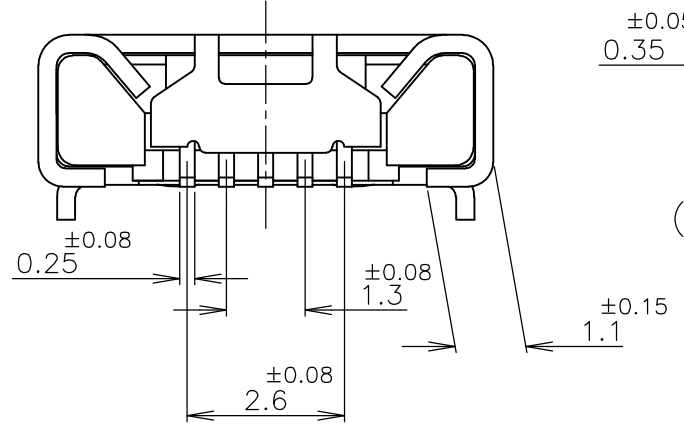
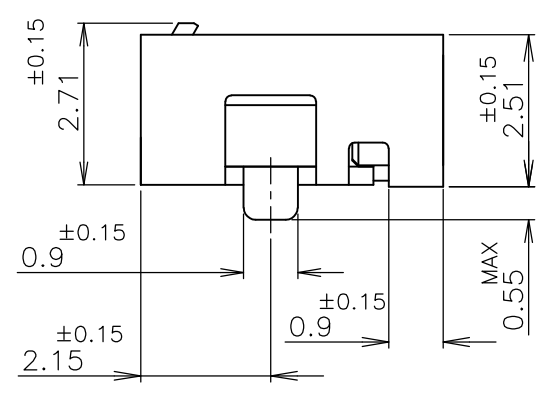
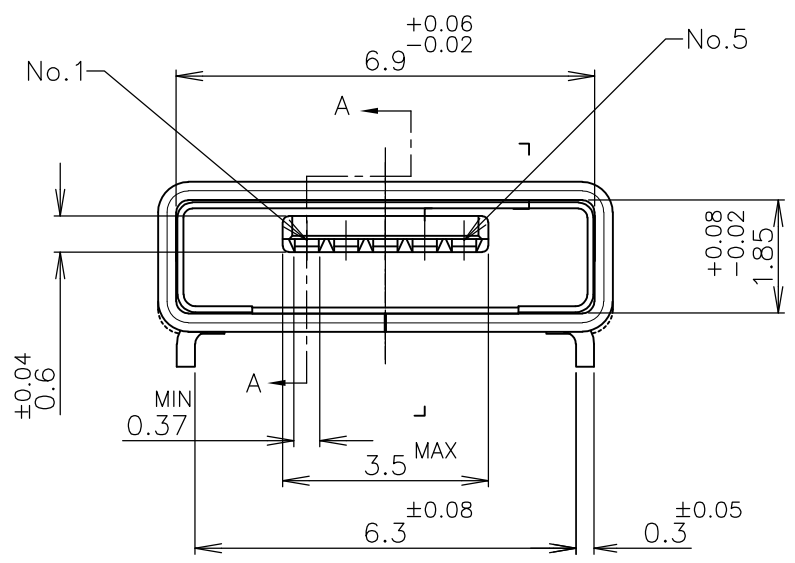
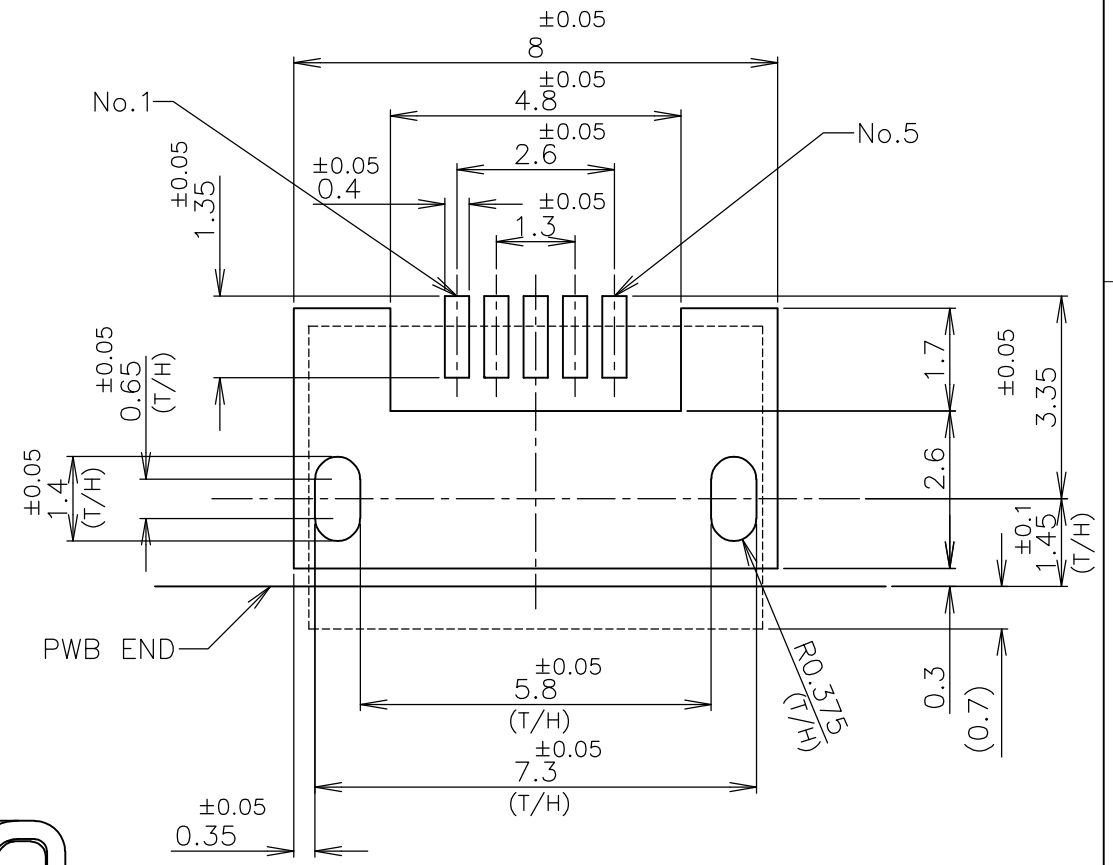
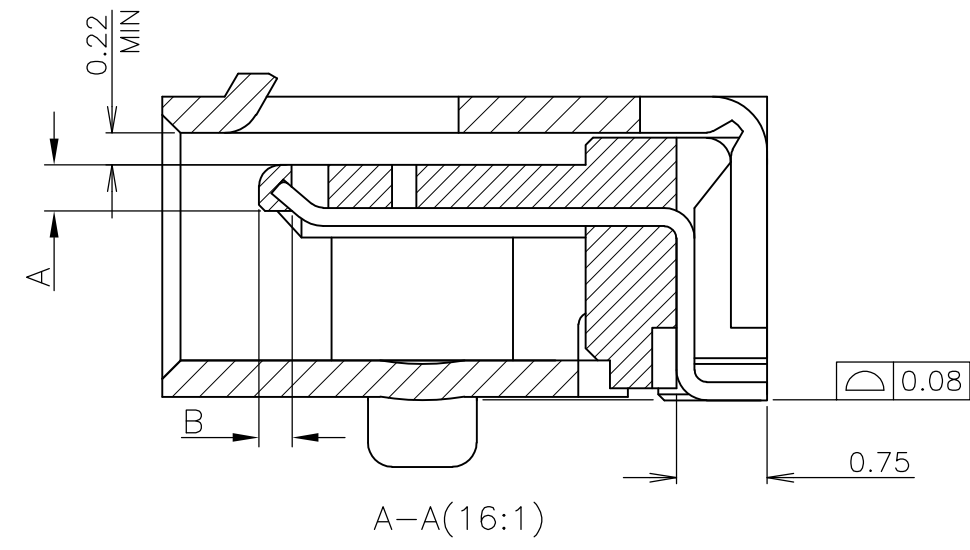
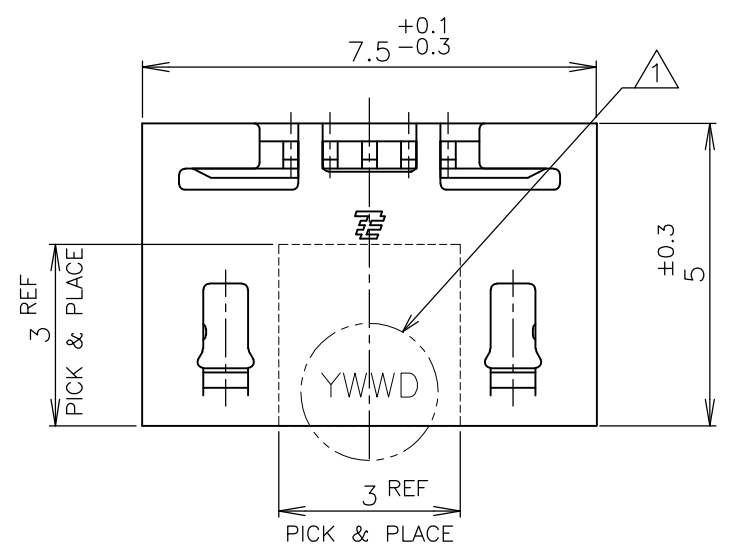


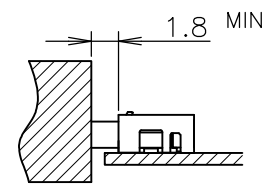
THIS DRAWING IS UNPUBLISHED. RELEASED FOR PUBLICATION NOV. 2011.  
 © COPYRIGHT 2011 By Tyco Electronics Japan G.K. ALL RIGHTS RESERVED.

LOC	DIST	REVISIONS					
J	/	P	LTR	DESCRIPTION	DATE	DWN	APVD
		A6		REVISED(ECR-16-006030)	29Apr2016	A.X	H.W



PWB LAYOUT(REFERENCE)  
(VIEWED FROM CONNECTOR MOUNT SIDE)

DISTANCE BETWEEN PLUG & RECE



(REFERENCE DIMENSION)

① LASER MARKING: YWW

DATE CODE  
(YEAR, WEEK, DAY)

- OVERALL TOLERANCE: ±0.2
- MATERIAL HOUSING: THERMOPLASTIC RESIN UL94V-0  
CONTACT: COPPER ALLOY  
SHELL : STAINLESS STEEL  
(APPLIED GREASE AT LOCK POSITION)
- FINISH CONTACT: Ni UNDER PL Au PL  
SHELL : Ni UNDER PL  
Sn PL OR ADDITIONAL SELECTIVE BLACK Ni PL
- PREVENTION OF WRENCHING  
PLEASE HOLD THE TOP AND THE SIDE OF CONNECTOR BY THE CASE.
- PREVENTION OF HITTING DURING PLUG INSERTION  
PLEASE SET THE INSERTION GUIDE ALONG THE MATING SURFACE.
- FOR P/N:2134536-3, REFLOW PEAK TEMPERATURE: 250 DEGREE.  
REFLOW PROCESS WITH NITROGEN PROTECTION.

⑥ ONLY 2134536-5&-6&-7 PIN1 DIM B=0.60,THE OTHER PIN&P/N DIM B=0.27

DESCRIPTION(HSG)	DESCRIPTION(SHELL)	PART NUMBER	DIM A	DIM B(PIN 1)	
⑤	COLOR: WHITE	Sn AND Ni PLATING	2134536-6	0.43	0.60
④	COLOR: BLACK	Ni 0.6um Min. PLATING GOLD FLASH PLATING BLACK Ni SELECTIVE PLATING	2134536-4	0.38	0.27
⑤	COLOR: BLACK	Ni 0.6um Min. PLATING GOLD FLASH PLATING BLACK Ni SELECTIVE PLATING	2134536-5	0.43	0.60
④	COLOR: BLACK	Ni 0.6um Min. PLATING GOLD FLASH PLATING BLACK Ni SELECTIVE PLATING	2134536-3	0.38	0.27
⑥	COLOR: GRAY	Sn AND Ni PLATING	2134536-7	0.43	0.60
①	COLOR: GRAY	Sn AND Ni PLATING	2134536-2	0.38	0.27

THIS DRAWING IS A CONTROLLED DOCUMENT.

DWN: C.OHASHI 07NOV2011  
 CHK: A.KUBO 08NOV2011  
 APVD: T.KUSUHARA 08NOV2011

NAME: MICRO USB RECEPTACLE STANDARD TYPE AB FLANGELESS

PRODUCT SPEC: 108-78434  
 APPLICATION SPEC: 408-78009

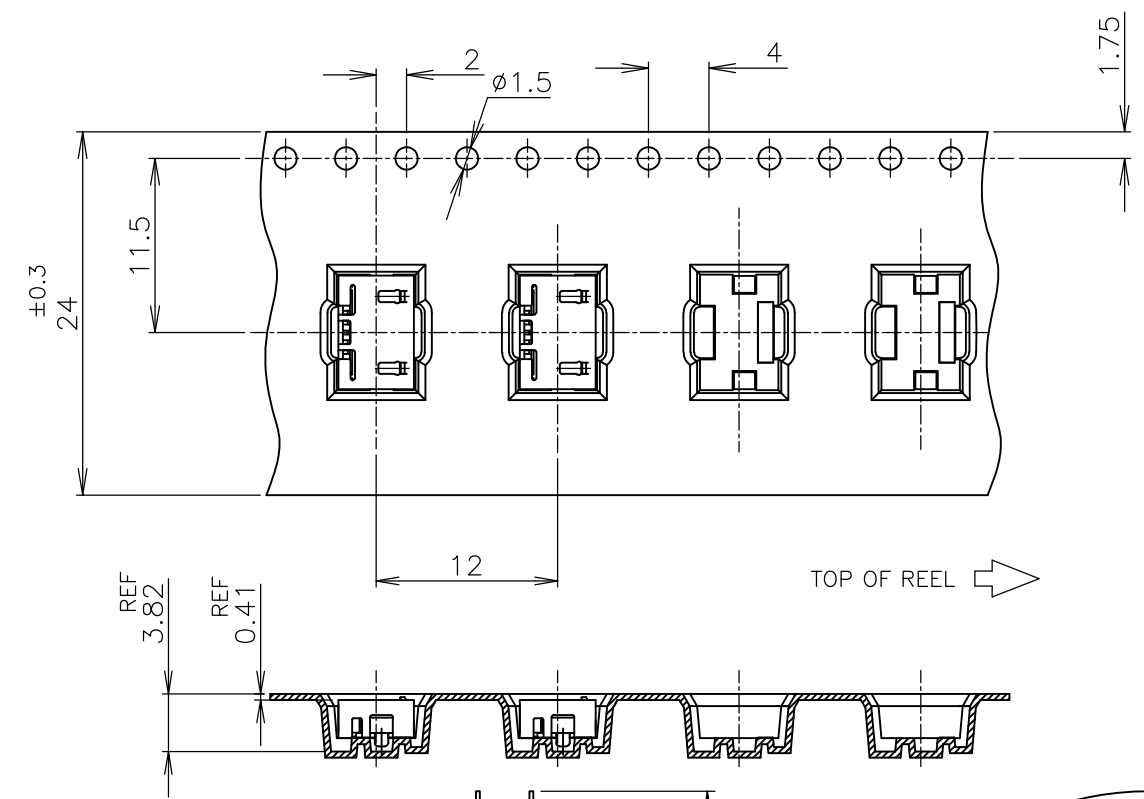
SIZE: A3 CAGE CODE: 00779 DRAWING NO: C-2134536 RESTRICTED TO: -

WEIGHT: 0.24g SCALE: NTS SHEET: 1 OF 3 REV: A6

CUSTOMER DRAWING

THIS DRAWING IS UNPUBLISHED. RELEASED FOR PUBLICATION NOV. 2011.  
 © COPYRIGHT 2011 By Tyco Electronics Japan G.K. ALL RIGHTS RESERVED.

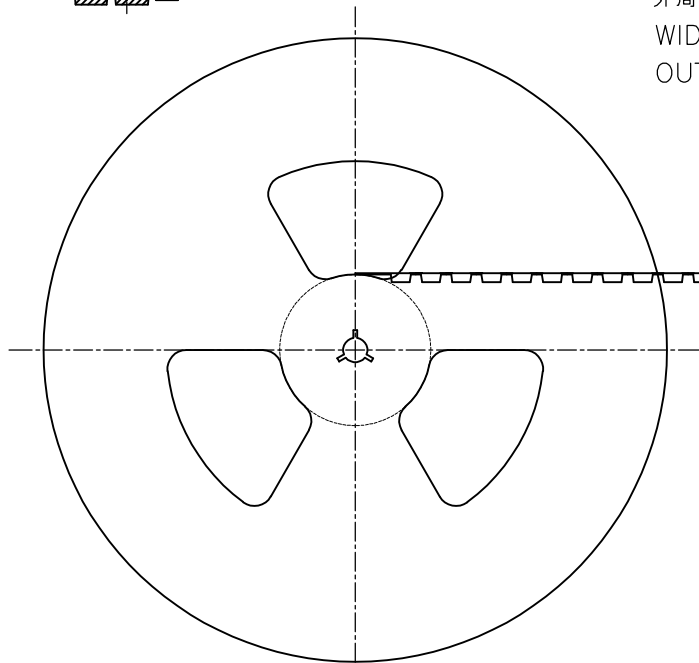
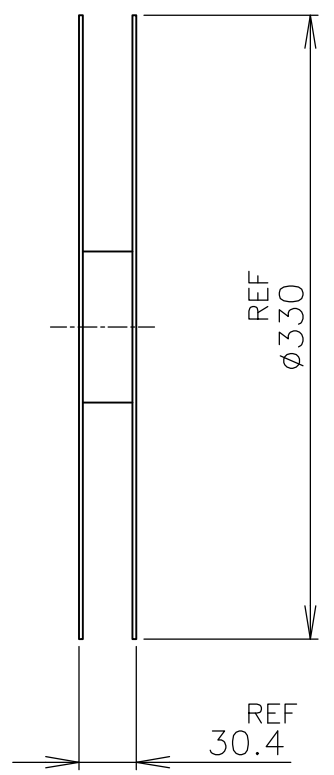
LOC	DIST	REVISIONS					
J	/	P	LTR	DESCRIPTION	DATE	DWN	APVD
		-		SEE SHEET 1	-	-	-



TOP OF REEL →

カバーテープリーダー部  
 外周1巻  
 WIDE COVER TAPE AROUND  
 OUT PERIPHERY 1 TURN

剥離強度 0.1-1.3N MAX(300±10mm/min)  
 PEELING STRENGTH  
 剥離角度 165~180°  
 PEELING ANGLE



引き出し方向  
 TOP OF REEL

1000個/リール  
 1000EA/REEL

HOLES  
 15穴

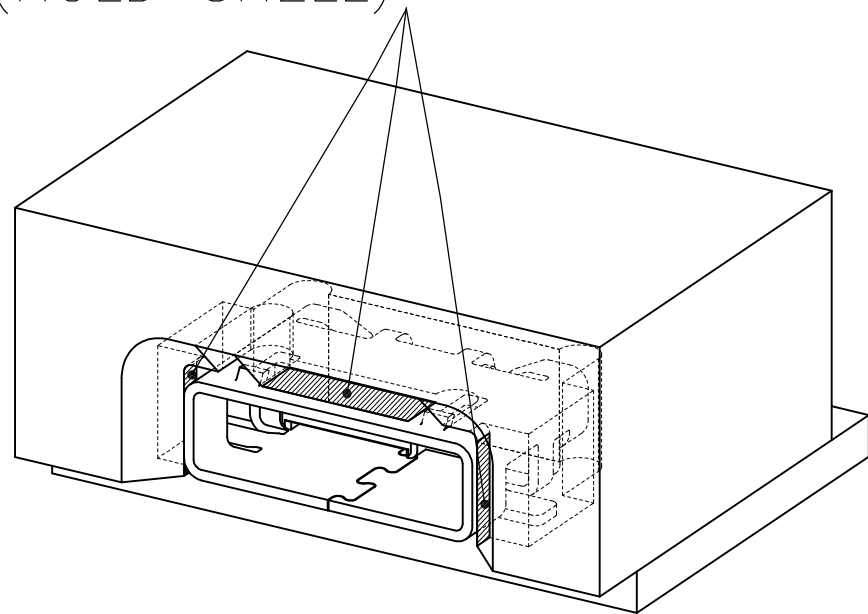
空部 WITHOUT CHARGE 160mm程度 APPROX  
 製品装填部 WITH PRODUCT CHARGE  
 空部 WITHOUT CHARGE 400mm程度 APPROX

THIS DRAWING IS A CONTROLLED DOCUMENT.		DWN	TE Connectivity		
DIMENSIONS: 単位: 耗 MM		CHK	NAME 名称		
TOLERANCES UNLESS OTHERWISE SPECIFIED: 一般公差		APVD	MICRO USB RECEPTACLE STANDARD TYPE AB FLANGELESS		
0 PLC ±-		PRODUCT SPEC 製品規格	SIZE	CAGE CODE	DRAWING NO 番号
1 PLC ±-		APPLICATION SPEC 取付適用規格	A3	00779	G-2134536
2 PLC ±-		WEIGHT	RESTRICTED TO		
3 PLC ±-			-		
4 PLC ±-			SCALE 尺度 NTS SHEET 2 OF 3 REV A6		
ANGLES ±-					
MATERIAL 材料					
FINISH 仕上					
CUSTOMER DRAWING					

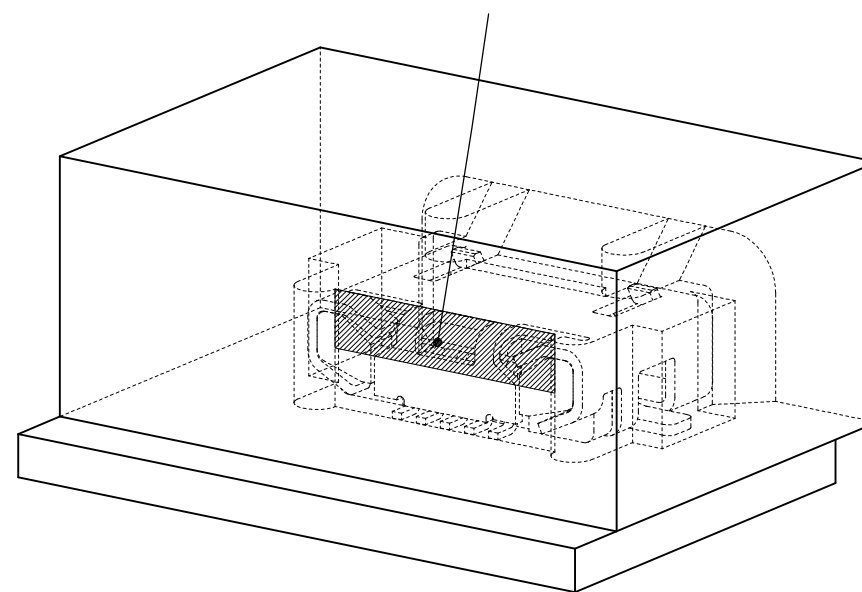
THIS DRAWING IS UNPUBLISHED.      RELEASED FOR PUBLICATION      NOV , 2011.  
 © COPYRIGHT 2011 By Tyco Electronics Japan G.K.      ALL RIGHTS RESERVED.

LOC	DIST	REVISIONS					
J	/	P	LTR	DESCRIPTION	DATE	DWN	APVD
		-		SEE SHEET 1	-	-	-

CONNECTOR INSERTION OPENING  
(HOLD SHELL)

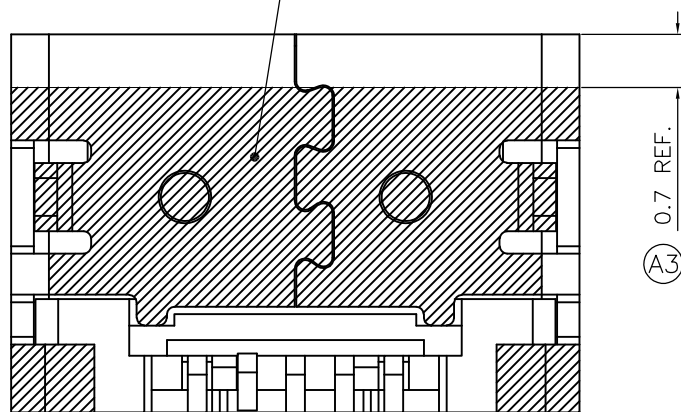


CONNECTOR BACK SIDE  
(HOLD SHELL AND HOUSING)



GUIDE CASE FOR WRENCHING (REFERENCE)

SELECTIVE PLATING AREA (A3)  
(Sn PLATING AREA)



THIS DRAWING IS A CONTROLLED DOCUMENT.		DWN	TE Connectivity		
DIMENSIONS: 単位: 耗 MM		CHK	NAME 名称		
TOLERANCES UNLESS OTHERWISE SPECIFIED: 一般公差		APVD	MICRO USB RECEPTACLE STANDARD TYPE AB FLANGELESS		
0 PLC ± - 1 PLC ± - 2 PLC ± - 3 PLC ± - 4 PLC ± - ANGLES ± -		PRODUCT SPEC 製品規格	SIZE	CAGE CODE	DRAWING NO 番号
MATERIAL 材料		APPLICATION SPEC 取付適用規格	A3	00779	C-2134536
FINISH 仕上		WEIGHT	RESTRICTED TO		
CUSTOMER DRAWING			SCALE 尺度	SHEET	REV
			NTS	3 OF 3	A6

# Mouser Electronics

Authorized Distributor

Click to View Pricing, Inventory, Delivery & Lifecycle Information:

[TE Connectivity:](#)

[2134536-2](#)