

2	SIDE TAB	5
1	CENTER PEG	4
2	EXTRACTOR	3
240	CONTACT	2
1	HOUSING	1
QTY	ITEM	ITEM NO.

NOTES; (APPLIED TO SHEET 1-3)

- 1. MATERIAL ; HOUSING: HIGH TEMPERATURE THERMO PLASTIC UL94V-0
CONTACT: COPPER ALLOY
EJECOR: HIGH TEMPERATURE THERMO PLASTIC UL94V-0
PEG/TAB: COPPER ALLOY
- △ FINISH ; SEE TABLE.
- △ COPLANARITY: 0.1 MAX. (BEFORE SOLDERING)
- 4. CONFORMS TO REQUIREMENTS OF EIA/ECA-361-1000.01A.
(CONTROLLED ENVIRONMENT APPLICATIONS
AND TE PRODUCT SPECIFICATION 108-78570)
- 5. REFERENTIAL REFLOW PROFILE IS APPLIED BY J-STD-020*.
- △ LOW RESISTANCE TYPE.
- 7. EXTRACTORS SHOULD BE FULLY CLOSED BEFORE REFLOW.

GENERAL TOERLANCE

10 ≥	±0.2
30 ≥	>10 ; ±0.3
100 ≥	>30 ; ±0.5
ANGLE ; ±3°	

△	BLACK	BLACK	Au PL.: 0.00038mm MIN. (CONTACT AREA) Au FLASH PL.: SOLDERING AREA (CONTACT TINE, PEG) TIN PL.: SOLDERING AREA (TAB) Ni UNDER PL.: 0.002mm MIN. ALL OVER	240	3-2134250-2
△	WHITE	BLACK	Au PL.: 0.00051mm MIN. (CONTACT AREA) Au FLASH PL.: SOLDERING AREA (CONTACT TINE, PEG) TIN PL.: SOLDERING AREA (TAB) Ni UNDER PL.: 0.002mm MIN. ALL OVER	240	1-2134250-6
	BLACK	BLACK	Au PL.: 0.00076mm MIN. (CONTACT AREA) Au FLASH PL.: SOLDERING AREA (CONTACT TINE, PEG) TIN PL.: SOLDERING AREA (TAB) Ni UNDER PL.: 0.002mm MIN. ALL OVER	240	1-2134250-5
	WHITE	BLACK	Au PL.: 0.00038mm MIN. (CONTACT AREA) Au FLASH PL.: SOLDERING AREA (CONTACT TINE, PEG) TIN PL.: SOLDERING AREA (TAB) Ni UNDER PL.: 0.002mm MIN. ALL OVER	240	1-2134250-4
	BLACK	BLACK	Au PL.: 0.00038mm MIN. (CONTACT AREA) Au FLASH PL.: SOLDERING AREA (CONTACT TINE, PEG) TIN PL.: SOLDERING AREA (TAB) Ni UNDER PL.: 0.002mm MIN. ALL OVER	240	1-2134250-3
	WHITE	BLACK	Au PL.: 0.00038mm MIN. (CONTACT AREA) Au FLASH PL.: SOLDERING AREA (CONTACT TINE, PEG) TIN PL.: SOLDERING AREA (TAB) Ni UNDER PL.: 0.002mm MIN. ALL OVER	240	1-2134250-2
	BLACK	BLACK	Au PL.: 0.00038mm MIN. (CONTACT AREA) Au FLASH PL.: SOLDERING AREA (CONTACT TINE, PEG) TIN PL.: SOLDERING AREA (TAB) Ni UNDER PL.: 0.002mm MIN. ALL OVER	240	1-2134250-1
	WHITE	BLACK	Au PL.: 0.00038mm MIN. (CONTACT AREA) Au FLASH PL.: SOLDERING AREA (CONTACT TINE, PEG) TIN PL.: SOLDERING AREA (TAB) Ni UNDER PL.: 0.002mm MIN. ALL OVER	240	1-2134250-1
EXTRACTOR COLOR	HOUSING COLOR	△ FINISH		POS	PART NO.
THIS DRAWING IS A CONTROLLED DOCUMENT.		DWN T.FUMIKURA 01APR2011	TE Connectivity DDR3 DIMM SOCKET 1mm PITCH SMT 240 POS. VERY LOW PROFILE TYPE		
DIMENSIONS: 単位: 耗 MM		CHK E.TAKEMASA 01APR2011			
TOLERANCES UNLESS OTHERWISE SPECIFIED: 一般公差		APVD E.TAKEMASA 01APR2011	NAME 名称		
0 PLC ± - 1 PLC ± - 2 PLC ± - 3 PLC ± - 4 PLC ± - ANGLES ± 3°		PRODUCT SPEC 製品規格 108-78570	DRAWING NO 番号		
MATERIAL 材料		APPLICATION SPEC 取付適用規格	SIZE A3	CAGE CODE 00779	DRAWING NO 番号 C-2134250
GENERAL TOERLANCE SEE NOTES		FINISH 仕上 SEE NOTES	WEIGHT 5.3 g	RESTRICTED TO	
CUSTOMER DRAWING		SCALE 尺度 2:1	SHEET 1 OF 6	REV F2	

4

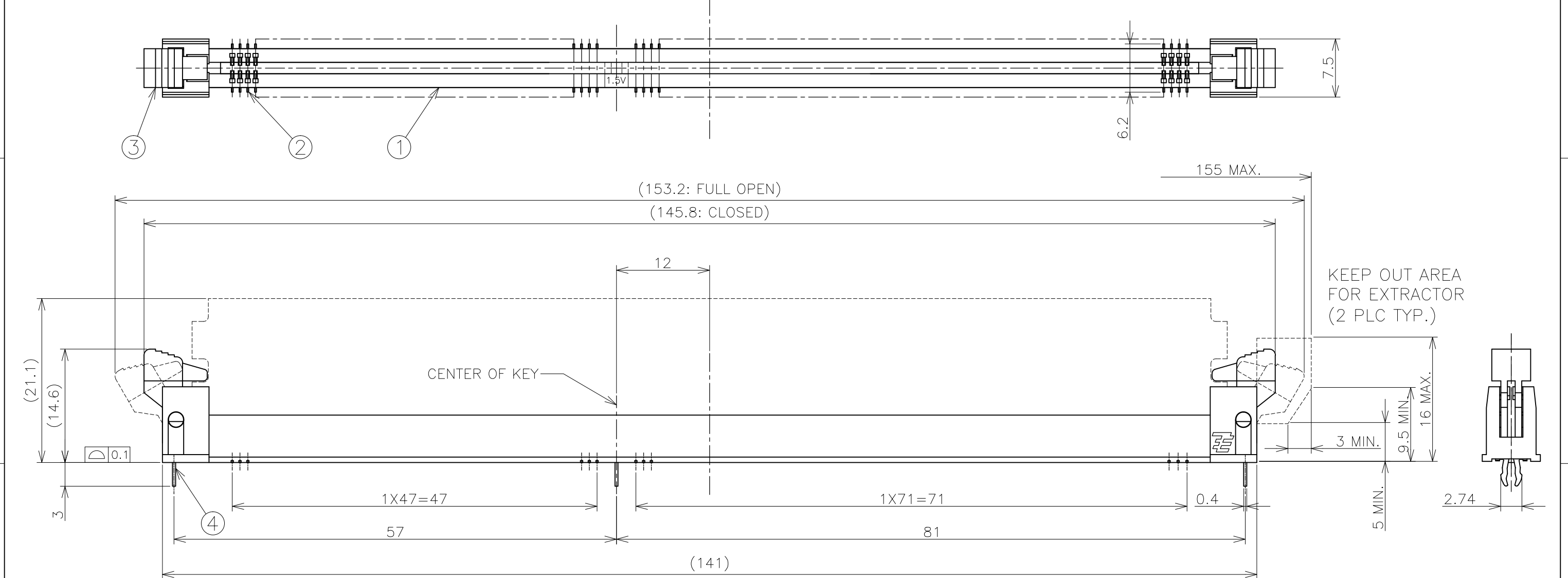
3

2

1

THIS DRAWING IS UNPUBLISHED. RELEASED FOR PUBLICATION
 © COPYRIGHT - By - ALL RIGHTS RESERVED.

LOC	DIST	REVISIONS		
J		P	LTR	DESCRIPTION
		-		SEE SHEET 1
			DATE	DWN
			-	-
			APVD	-



3	LEG	4
2	EXTRACTOR	3
240	CONTACT	2
1	HOUSING	1
QTY	ITEM	ITEM NO.

(F2) — Δ	N/A	BLACK	BLACK	Au PL.: 0.00076mm MIN. (CONTACT AREA)	240	6-2134250-4
(F2) — Δ		WHITE	BLACK	Au FLASH PL.: SOLDERING AREA	240	6-2134250-3
				Ni UNDER PL.: 0.002mm MIN. ALL OVER		
	CAP COLOR	EXTRACTOR COLOR	HOUSING COLOR	FINISH	POS	PART NO.

GENERAL TOERLANCE

10 ≥	±0.2
30 ≥	>10 ; ±0.3
100 ≥	>30 ; ±0.5
ANGLE ; ±3°	

THIS DRAWING IS A CONTROLLED DOCUMENT.

DIMENSIONS: 單位: 耗 MM	TOLERANCES UNLESS OTHERWISE SPECIFIED: 一般公差
	0 PLC ± -
	1 PLC ± -
	2 PLC ± -
	3 PLC ± -
	4 PLC ± -
	ANGLES ± 3°
MATERIAL 材料	FINISH 仕上
SEE NOTES	SEE NOTES

DWN	01APR2011	TE Connectivity	NAME 名称 DDR3 DIMM SOCKET 1mm PITCH SMT 240 POS. VERY LOW PROFILE TYPE		
CHK	01APR2011				
APVD	01APR2011				
PRODUCT SPEC 製品規格		SIZE	CAGE CODE	DRAWING NO 番号	RESTRICTED TO
APPLICATION SPEC 取付適用規格		A3	00779	C-2134250	
WEIGHT		CUSTOMER DRAWING		SCALE 尺度	SHEET
				2:1	2 of 6
					REV F2

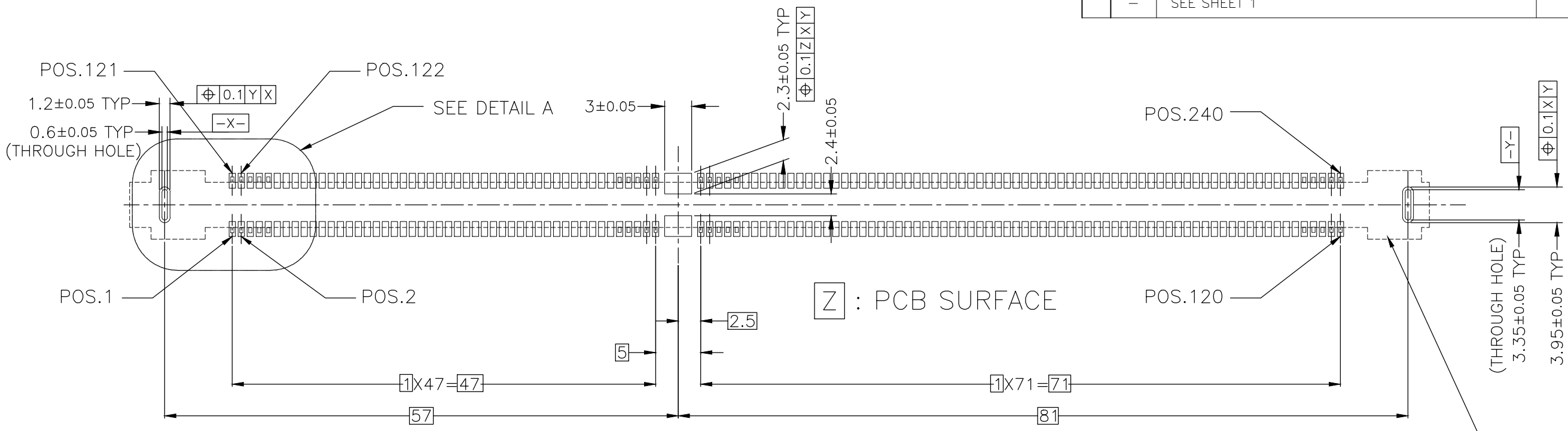
THIS DRAWING IS UNPUBLISHED.

RELEASED FOR PUBLICATION

© COPYRIGHT - By -

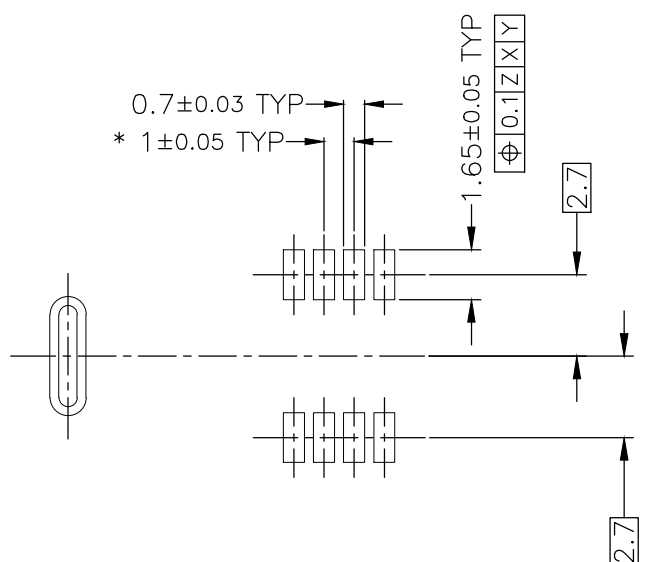
ALL RIGHTS RESERVED.

LOC	DIST	REVISIONS			DATE	DWN	APVD
J		P	LTR	DESCRIPTION			
		-		SEE SHEET 1	-	-	-



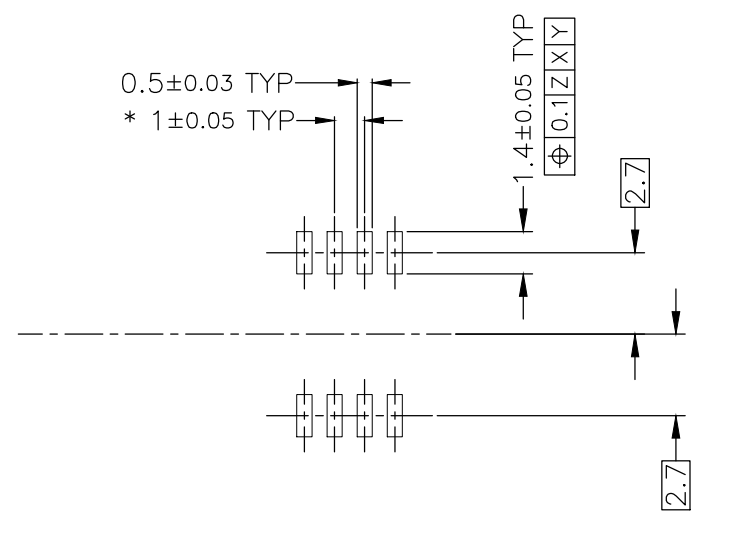
REFERENCE PCB LAYOUT (VIEWED FROM CONNECTOR SIDE)

CONNECTOR OUTLINE



DETAIL A (4:1)

* : TOLERANCE; NON-CUMULATIVE



REFERENTIAL METAL MASK PAD OPENING (4:1)

* : TOLERANCE; NON-CUMULATIVE

THIS PCB LAYOUT IS FOR 1-2134250-1~1-2134250-6,3-2134250-1~3-2134250-2.
 RECOMMENDED PC BOARD X/Y CTE. 10-14 [ppm/DEGREE CELSIUS]
 PLEASE VERIFY CTE MATCHING BEFORE USING THE SOCKETS.
 FOR ANY INQUIRY. PLEASE CONTACT TE Connectivity.

GENERAL TOLERANCE	
10 ≥	±0.2
30 ≥	>10 ; ±0.3
100 ≥	>30 ; ±0.5
ANGLE ; ±3°	

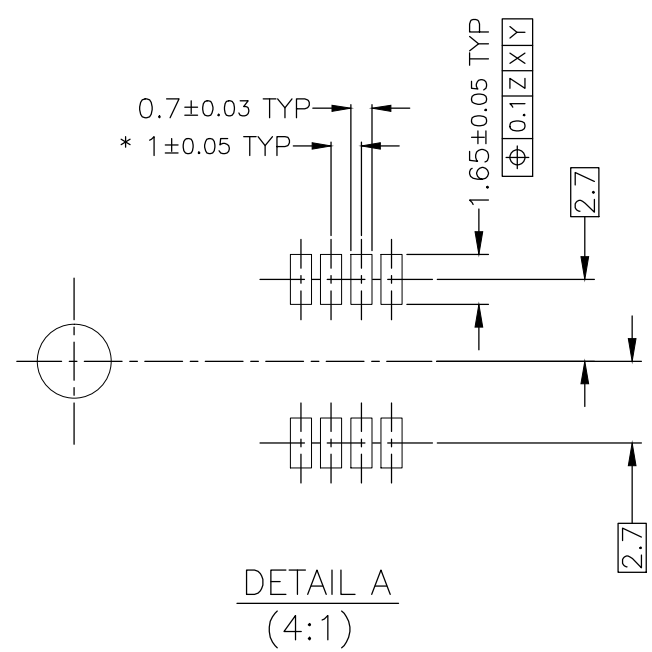
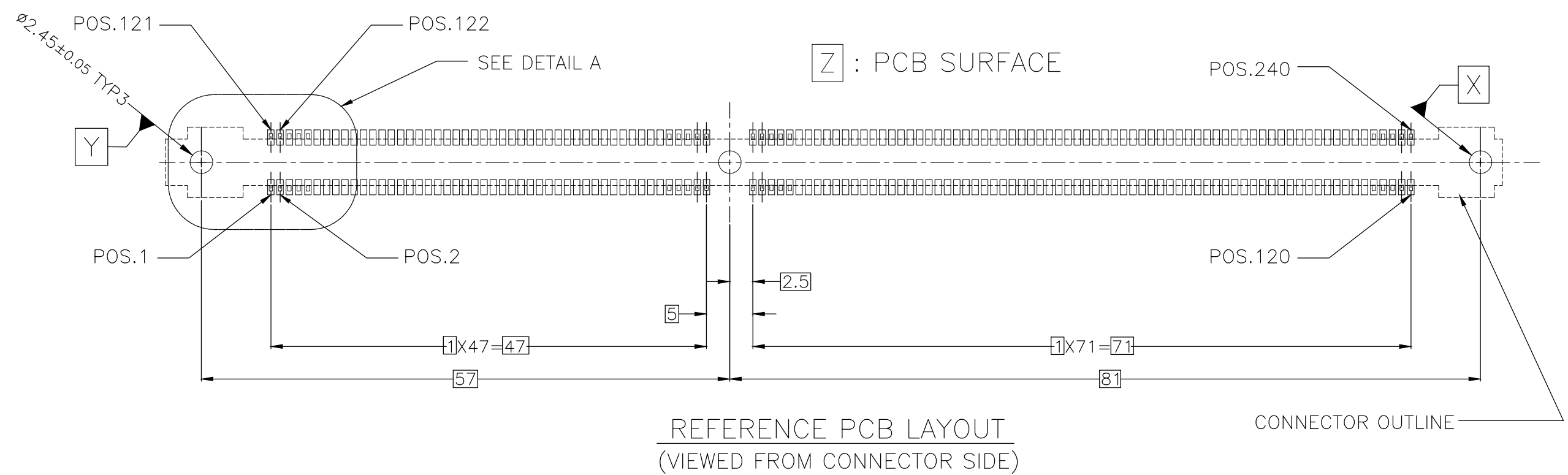
THIS DRAWING IS A CONTROLLED DOCUMENT.	
DIMENSIONS: 単位: 耗 MM	TOLERANCES UNLESS OTHERWISE SPECIFIED: 一般公差
	0 PLC ± -
	1 PLC ± -
	2 PLC ± -
	3 PLC ± -
	4 PLC ± -
ANGLES ± 3°	
MATERIAL 材料	FINISH 仕上
SEE NOTES	SEE NOTES

DWN	
CHK	
APVD	
PRODUCT SPEC 製品規格	
APPLICATION SPEC 取付適用規格	
WEIGHT	
CUSTOMER DRAWING	

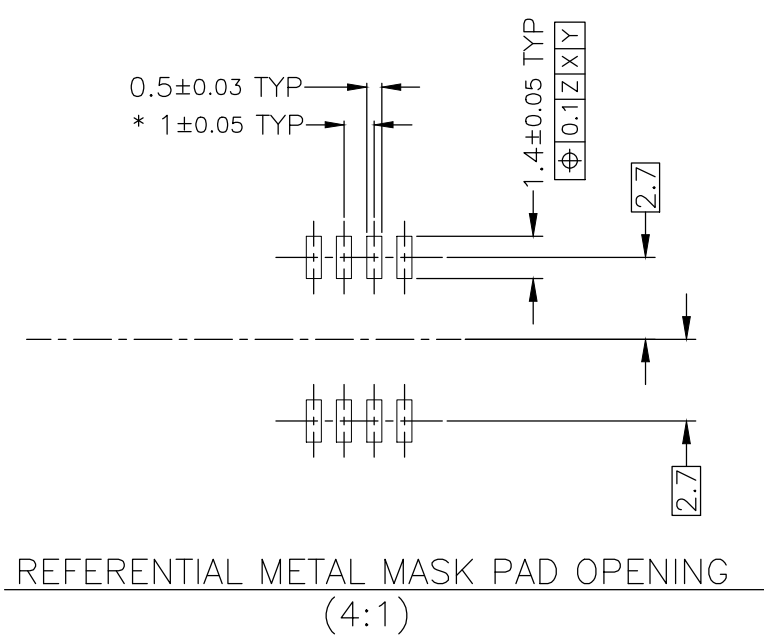
STE TE Connectivity			
NAME 名称 DDR3 DIMM SOCKET 1mm PITCH SMT 240 POS. VERY LOW PROFILE TYPE			
SIZE	CAGE CODE	DRAWING NO 番号	RESTRICTED TO
A3	00779	C-2134250	
SCALE 尺度 2:1		SHEET 3 of 6	REV F2

THIS DRAWING IS UNPUBLISHED. RELEASED FOR PUBLICATION
 © COPYRIGHT - By - ALL RIGHTS RESERVED.

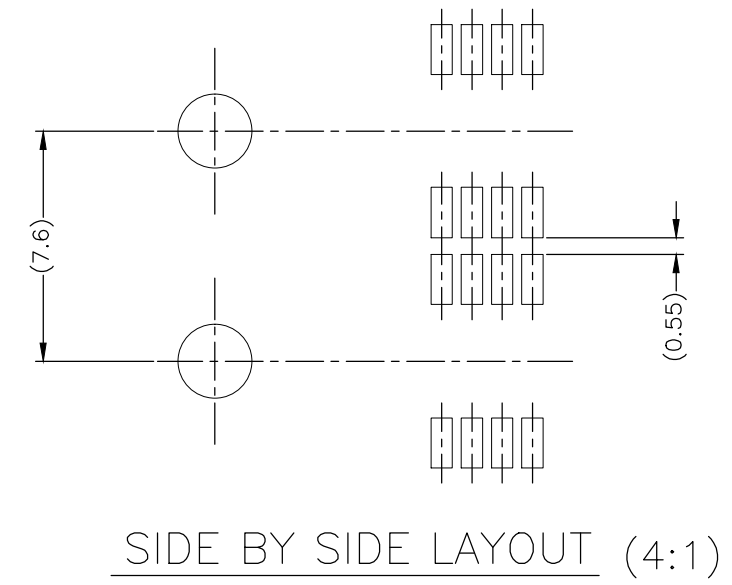
LOC J	DIST	REVISIONS 変更			DATE	DWN	APVD
P	LTR	DESCRIPTION					
		SEE SHEET 1					



* : TOLERANCE; NON-CUMULATIVE



* : TOLERANCE; NON-CUMULATIVE



THIS PCB LAYOUT IS FOR 6-2134250-3~6-2134250-4.
 RECOMMENDED PC BOARD X/Y CTE. 10-14 [ppm/DEGREE CELSIUS]
 PLEASE VERIFY CTE MATCHING BEFORE USING THE SOCKETS.
 FOR ANY INQUIRY. PLEASE CONTACT TE Connectivity.

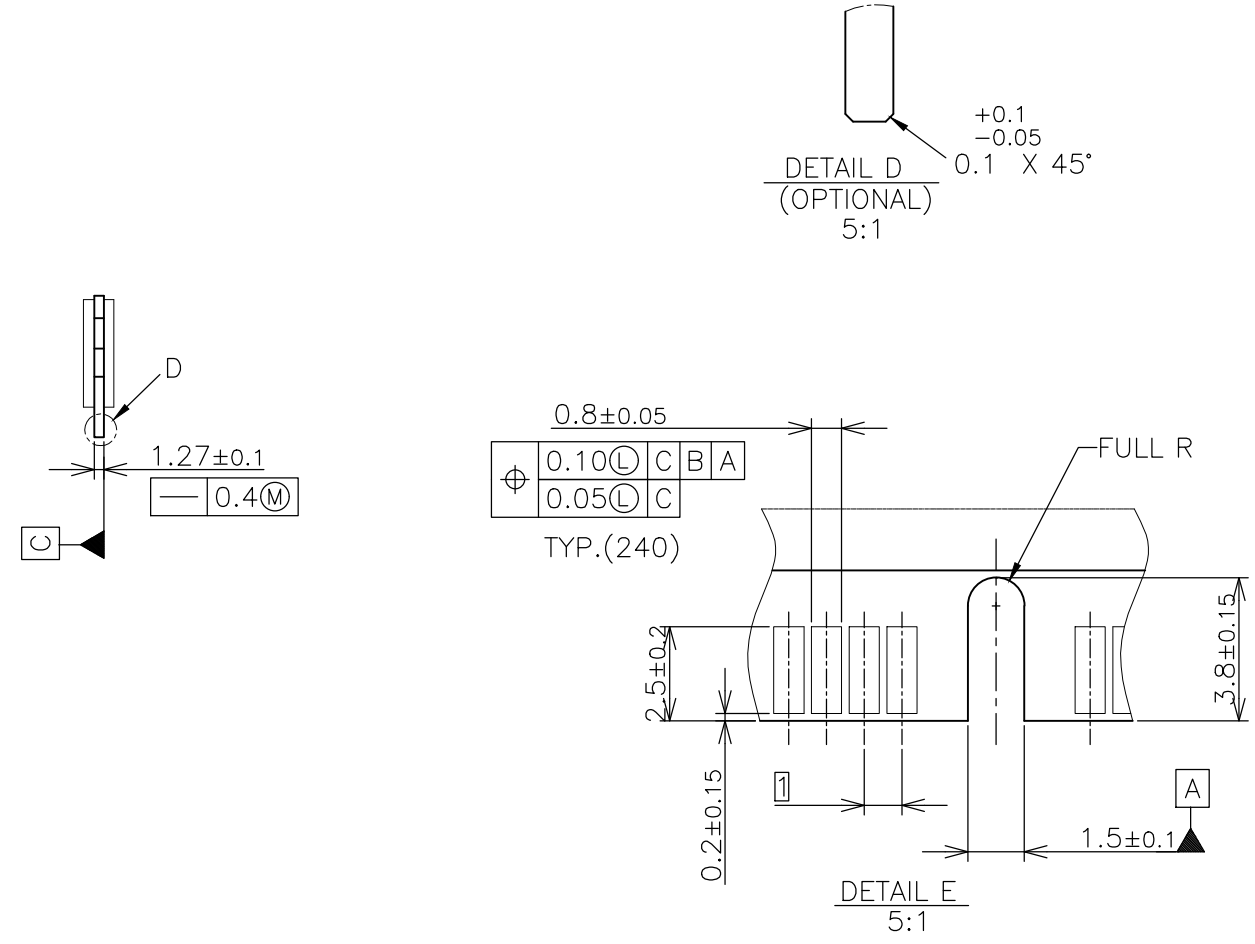
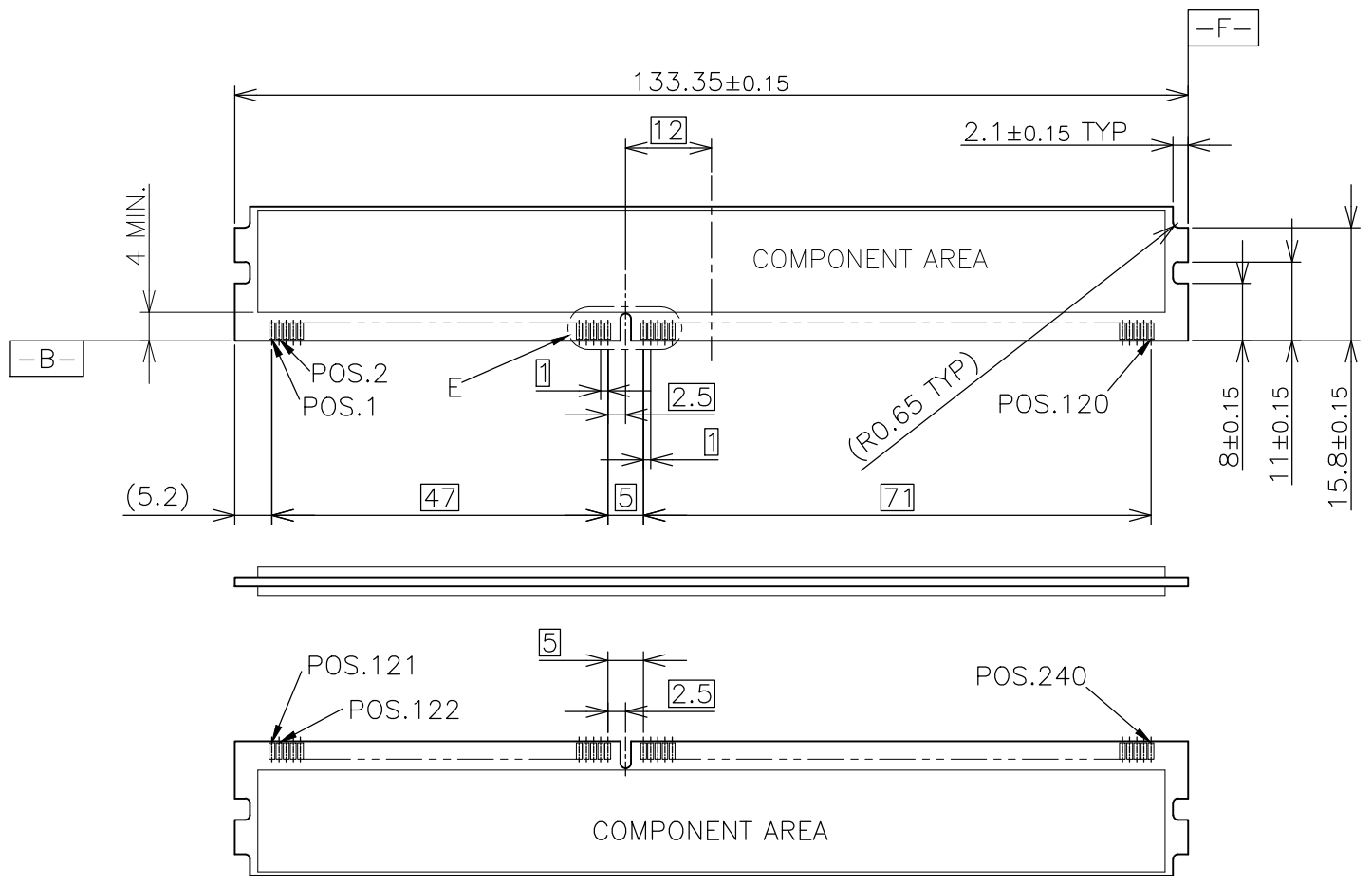
GENERAL TOLERANCE	
10 ≥	±0.2
30 ≥	>10 ; ±0.3
100 ≥	>30 ; ±0.5
ANGLE ; ±3°	

THIS DRAWING IS A CONTROLLED DOCUMENT.	
DIMENSIONS: 単位: 耗 MM	TOLERANCES UNLESS OTHERWISE SPECIFIED: 一般公差
	0 PLC ± -
	1 PLC ± -
	2 PLC ± -
	3 PLC ± -
	4 PLC ± -
ANGLES ± 3°	
MATERIAL 材料	FINISH 仕上
SEE NOTES	SEE NOTES

DWN	TE Connectivity		
CHK	NAME 名称		
APVD	DDR3 DIMM SOCKET 1mm PITCH SMT 240 POS. VERY LOW PROFILE TYPE		
PRODUCT SPEC 製品規格	SIZE	CAGE CODE	DRAWING NO 番号
APPLICATION SPEC 取付適用規格	A3	00779	G-2134250
WEIGHT	CUSTOMER DRAWING		RESTRICTED TO
SCALE 尺度	2:1	SHEET 4 OF 6	REV F2

THIS DRAWING IS UNPUBLISHED. RELEASED FOR PUBLICATION
 © COPYRIGHT - By - ALL RIGHTS RESERVED.

LOC	DIST	REVISIONS					
		P	LTR	DESCRIPTION	DATE	DWN	APVD
J		-		SEE SHEET 1	-	-	-



REFERENCE DIMM PCB LAYOUT

RECOMMENDED PLATING FOR CONTACT PADS ARE:

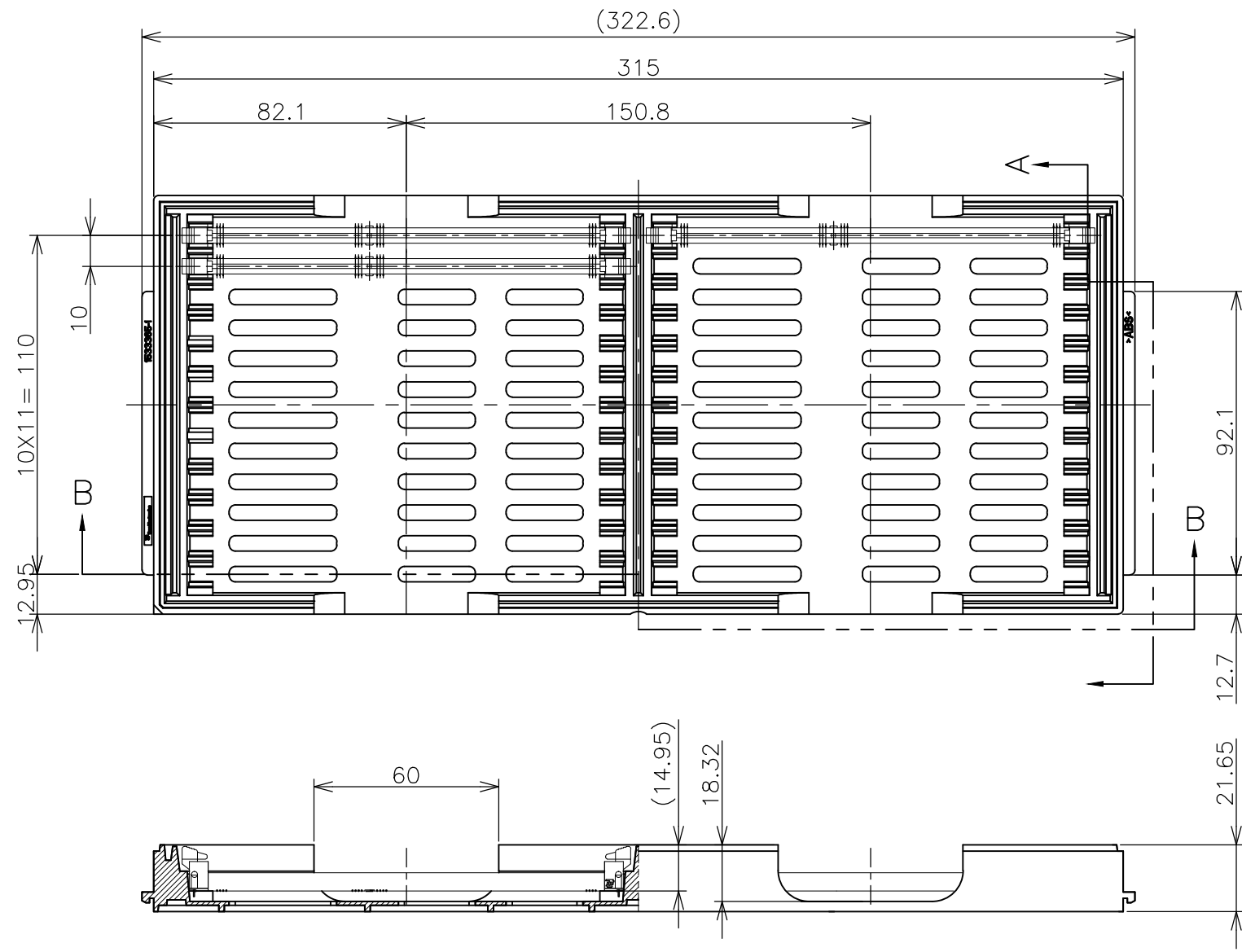
- 1) PREFERABLE PLATING : ELECTROLYTIC GOLD PLATING 0.00076 mm MIN. OVER ELECTROLYTIC NICKEL 0.002 mm MIN.
- 2) ALTERNATIVE PLATING : GOLD PLATING 0.00005-0.00075 mm OVER NICKEL 0.002 mm MIN. MUST USE AN ELECTRONIC CONTACT GRADE CORROSIVE BARRIER LUBRICANT.

GENERAL TOLERANCE	
10 ≥	±0.2
30 ≥	>10 ; ±0.3
100 ≥	>30 ; ±0.5
ANGLE ; ±3°	

THIS DRAWING IS A CONTROLLED DOCUMENT.		DWN		TE Connectivity	
DIMENSIONS: 单位: 耗 MM		CHK			
TOLERANCES UNLESS OTHERWISE SPECIFIED: 一般公差		APVD		NAME 名称	
0 PLC ± - 1 PLC ± - 2 PLC ± - 3 PLC ± - 4 PLC ± - ANGLES ± 3°		PRODUCT SPEC 製品規格		DDR3 DIMM SOCKET 1mm PITCH SMT 240 POS. VERY LOW PROFILE TYPE	
MATERIAL 材料 SEE NOTES		FINISH 仕上 SEE NOTES		SIZE	
				CAGE CODE	
				DRAWING NO 番号	
				RESTRICTED TO	
				A300779	
				G-2134250	
		CUSTOMER DRAWING		SCALE 尺度 1:1	
				SHEET 5 of 6	
				REV F2	

THIS DRAWING IS UNPUBLISHED. RELEASED FOR PUBLICATION
 © COPYRIGHT - By - ALL RIGHTS RESERVED.

LOC	DIST	REVISIONS		
J		变更	DATE	DWN
P	LTR	DESCRIPTION		APVD
	-	SEE SHEET 1	-	-



QTY: 24EA/TRAY

THIS DRAWING IS A CONTROLLED DOCUMENT.

DIMENSIONS: 单位: 耗 MM	TOLERANCES UNLESS OTHERWISE SPECIFIED: 一般公差
0 PLC ± -	1 PLC ± -
2 PLC ± -	3 PLC ± -
4 PLC ± -	ANGLES ± 3°

GENERAL TOERLANCE	
10 ≥	±0.2
30 ≥	>10 ; ±0.3
100 ≥	>30 ; ±0.5
ANGLE ; ±3°	

MATERIAL 材料	FINISH 仕上
SEE NOTES	SEE NOTES

DWN	STE TE Connectivity		
CHK	NAME 名称		
APVD	DDR3 DIMM SOCKET 1mm PITCH SMT 240 POS. VERY LOW PROFILE TYPE		
PRODUCT SPEC 製品規格	SIZE	CAGE CODE	DRAWING NO 番号
APPLICATION SPEC 取付適用規格	A3	00779	G-2135250
WEIGHT	CUSTOMER DRAWING		RESTRICTED TO
	SCALE 尺度	SHEET	REV
	1:2	6 OF 6	F2

Mouser Electronics

Authorized Distributor

Click to View Pricing, Inventory, Delivery & Lifecycle Information:

[TE Connectivity:](#)

[6-2134250-1](#)