

Series 11675

Quick-Connect Power Distribution Blocks

SPECIFICATIONS

Rating: 40A, 250V

Poles: 2 to 6 poles with (3) .250" quick-connect terminals per pole

Wire Range: #8-14 AWG CU

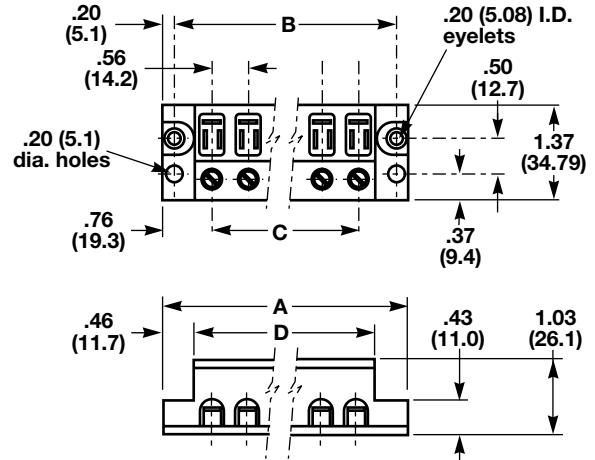
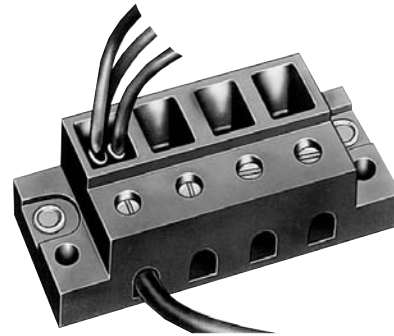
Torque Rating: 18 in.-lb.

Operating Temperature: 150°C

Design: Screw connections for field wiring. Quick connects reduce cost of internal wiring.

Breakdown Voltage:

Agency Information: UL/CSA; CE Certified



Part Number	A	B	C	D
11675-2	2.09	1.68	.56	1.15
11675-3	2.66	2.25	1.12	1.71
11675-4	3.22	2.81	1.68	2.28
11675-5	3.78	3.37	2.25	2.84
11675-6	4.34	3.93	2.81	3.40

* Dimensions in inches. To convert to millimeters, multiply by 25.4.

Series 11725

Quick-Connect Power Distribution Blocks

SPECIFICATIONS

Rating: 70A, 600V; UL/CSA

Poles: 2, 3 or 4 poles with (4) .250" quick-connect terminals per pole

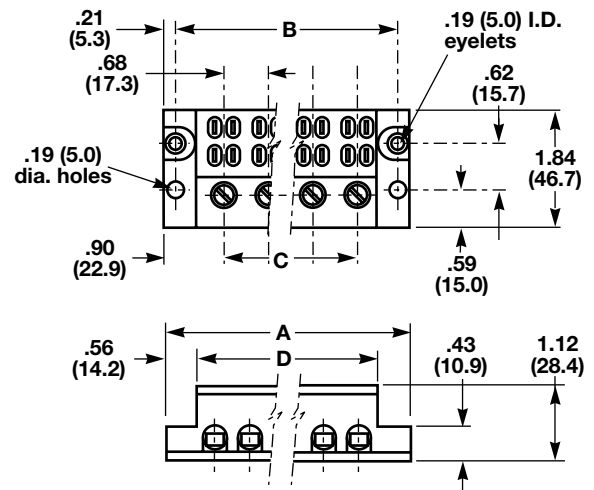
Wire Range: #2-14 AWG CU / #2-8 AWG AL

Torque Rating: 45 in.-lb.

Operating Temperature: 150°C

Design: Screw connections for field wiring. Quick connects reduce cost of internal wiring.

Agency Information: UL/CSA E62622; CE Certified



Part Number	A	B	C	D
11725-2	2.50	2.06	.68	1.37
11725-3	3.18	2.75	1.37	2.06
11725-4	3.87	3.43	2.06	2.75

* Dimensions in inches. To convert to millimeters, multiply by 25.4.

Series EN

Power Blocks
1.78" Centers

SPECIFICATIONS

Rating: 285A, 600V; UL/CSA

Wire Range: Line Connection: #300MCM-#4 CU/AL
Load Connection: (6) #6-14AWG CU
(6) #8-14 AWG AL

Material: Molded material; Black, UL rated
94V-2 thermoplastic

Operating Temperature: 125°C

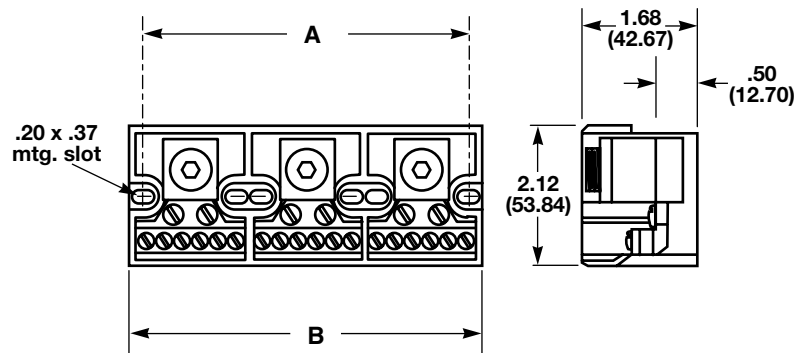
Torque Rating: 200 in-lb. line terminal, 20 in-lb. load terminal

Agency Information: UL/CSA; CE Certified

Covers: Not available



Series	A	B
EN61	1.38	1.78
EN62	3.15	3.62
EN63	4.93	5.37



Mouser Electronics

Authorized Distributor

Click to View Pricing, Inventory, Delivery & Lifecycle Information:

[Eaton:](#)

[11725-3](#) [11725-2](#) [11725-4](#) [11675-4](#) [11675-6](#)