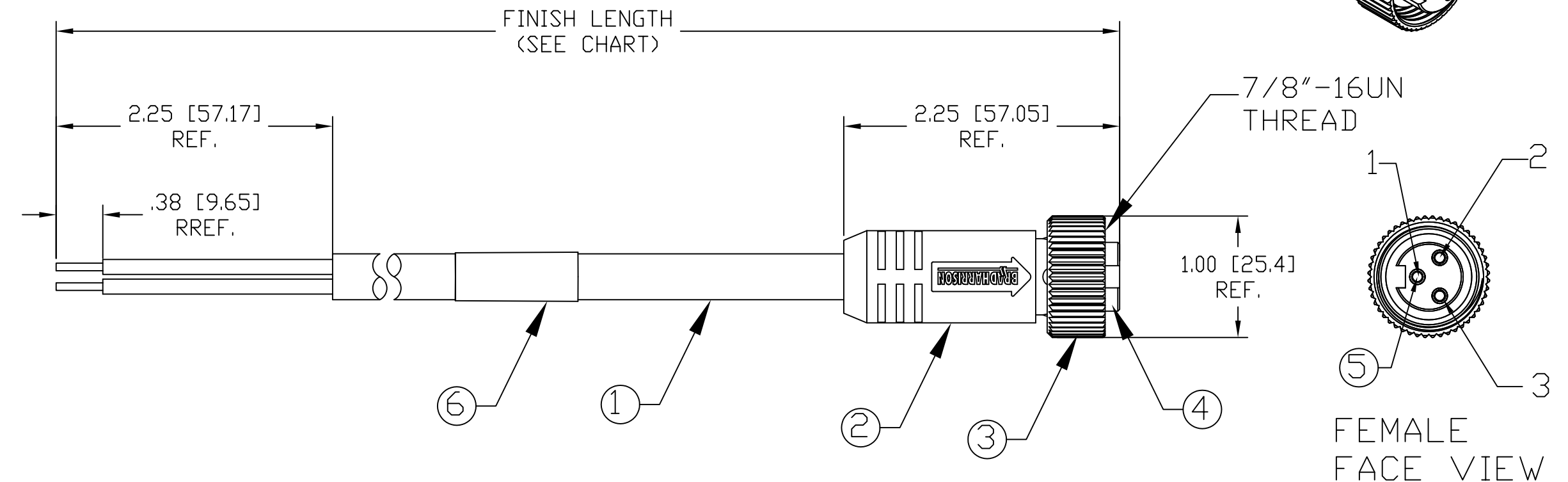
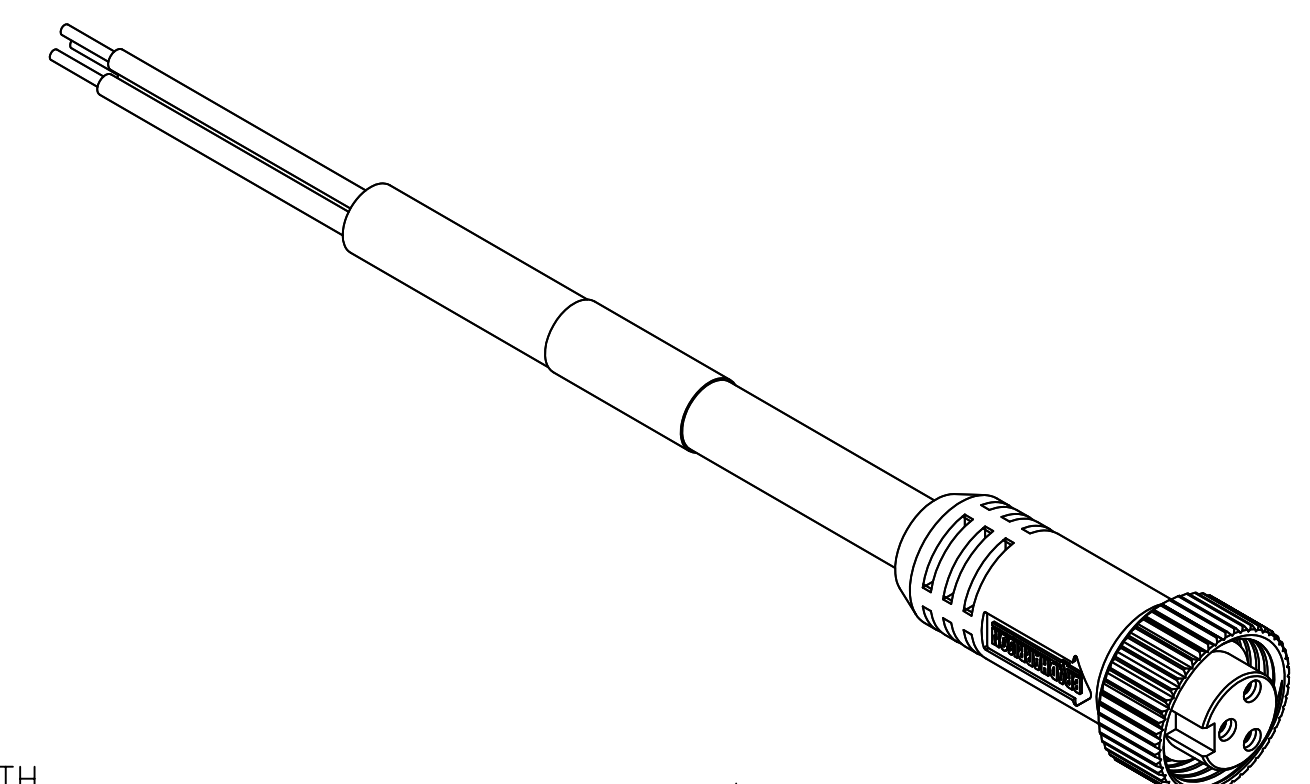


| 13 | 12 | 11 | 10 | 9 |
|-------------|--------------------|-------------------------------------|----|---|
| PART NUMBER | ENGINEERING NUMBER | FINISH LENGTH | | |
| 1300060217 | 103000A01F030 | 3.00' +1.75" -0 [0.9M +44.5 -0] | | |
| 1300060221 | 103000A01F060 | 6.00' +3.50" -0 [1.8M +88.9 -0] | | |
| 1300060229 | 103000A01F090 | 9.00' +3.50" -0 [2.7M +88.9 -0] | | |
| 1300060232 | 103000A01F120 | 12.00' +6.50" -0 [3.7M +165.1 -0] | | |
| 1300060237 | 103000A01F150 | 15.00' +6.50" -0 [4.6M +165.1 -0] | | |
| 1300060241 | 103000A01F200 | 20.00' +6.50" -0 [6.1M +165.1 -0] | | |
| 1300060246 | 103000A01F250 | 25.00' +12.50" -0 [7.6M +317.5 -0] | | |
| 1300060250 | 103000A01F300 | 30.00' +12.50" -0 [9.1M +317.5 -0] | | |
| 1300060253 | 103000A01F350 | 35.00' +12.50" -0 [10.7M +317.5 -0] | | |
| 1300060254 | 103000A01F400 | 40.00' +12.50" -0 [12.2M +317.5 -0] | | |

| 8 | 7 | 6 | 5 | 4 | 3 | 2 | 1 |
|-------------|--------------------|-------------------------------------|---|---|---|---|---|
| PART NUMBER | ENGINEERING NUMBER | FINISH LENGTH | | | | | |
| 1300060257 | 103000A01F450 | 45.00' +12.50" -0 [13.7M +317.5 -0] | | | | | |
| 1300060258 | 103000A01F500 | 50.00' +24.50" -0 [15.2M +622.3 -0] | | | | | |



- NOTE
- 1) MATERIAL: SEE TABLE
 - 2) FINISHES: SEE TABLE
 - 3) WRAP LABEL IS MARKED WITH P/N, DATE CODE, VOLTAGE & AMPERAGE
 - 4) MATES WITH: MINI CHANGE, 3 POLE RECEPTACLE
 - 5) ELECTRICAL DATA:
 INLINE CORDSET
 FEMALE A-SIZE WITH FLYING LEADS
 16AWG UNSHIELDED
 POLES: 3
 MAX. VOLTAGE: 600V
 MAX. CURRENT 13A
 PROTECTION IP67
 TEMPERATURE RANGE: -20°C TO 105°C
 - 6) PACKAGING:
 CABLE ASSEMBLIES ARE BAGGED SEPERATELY
 IN POLY BAGS WITH BAR CODE LABEL ATTACHED
 TO OUTSIDE OF BAG.
 - 7) ASSEMBLY IS RoHS COMPLIANT.
 - 8) CERTIFICATION
 UL RECOGNIZED, FILE NO. E152210
 CSA CERTIFIED, FILE NO. LR6837

P1

| | |
|---|------------------|
| 1 | GREEN/YELLOW-GRD |
| 2 | BLACK |
| 3 | WHITE |

WIRING DIAGRAM

| ITEM | QTY. | DESCRIPTION | MATERIAL | FINISH |
|------|------|---------------------------|---------------|---------------|
| 6 | 1 | LABEL | PLASTIC FILM | BLACK/YELLOW |
| 5 | 3 | CONTACT SOCKET | COPPER ALLOY | GOLD PLATED |
| 4 | 1 | INSERT | PVC | YELLOW |
| 3 | 1 | COUPLING NUT | ZINC DIE CAST | BLACKE-COATED |
| 2 | 1 | OVERMOLD | PVC | YELLOW |
| 1 | 1 | CABLE, 16AWG-3 TYPE ST00W | PVC | YELLOW |

| CORRECT COLOR ROTATION EC NO: WNA2010-0389 DRWN: TWOLDEGE 12/17/09 CH'KD: BWOODMAN APPR: JFMURPHY 2010/01/04 | DESCRIPTION REV | QUALITY SYMBOL ▽=0 ◻=0 | GENERAL TOLERANCES (UNLESS SPECIFIED) <table border="1"> <tr> <th></th> <th>mm</th> <th>INCH</th> </tr> <tr> <td>4 PLACES</td> <td>±---</td> <td>±---</td> </tr> <tr> <td>3 PLACES</td> <td>±.005</td> <td>±.005</td> </tr> <tr> <td>2 PLACES</td> <td>±.013</td> <td>±.010</td> </tr> <tr> <td>1 PLACE</td> <td>±.025</td> <td>±.020</td> </tr> </table> | | mm | INCH | 4 PLACES | ±--- | ±--- | 3 PLACES | ±.005 | ±.005 | 2 PLACES | ±.013 | ±.010 | 1 PLACE | ±.025 | ±.020 | DIMENSION STYLE IN/MM DRAWN BY DATE TWOLDEGE 2009/07/10 CHECKED BY DATE BWOODMAN 2009/07/10 APPROVED BY DATE JFMURPHY 2010/01/04 | SCALE 1:1 DESIGN UNITS INCH THIRD ANGLE PROJECTION |
|--|--------------------|-------------------------------------|---|---|----|------|----------|------|------|----------|-------|-------|----------|-------|-------|---------|-------|-------|---|--|
| | | | mm | INCH | | | | | | | | | | | | | | | | |
| | | 4 PLACES | ±--- | ±--- | | | | | | | | | | | | | | | | |
| | | 3 PLACES | ±.005 | ±.005 | | | | | | | | | | | | | | | | |
| 2 PLACES | ±.013 | ±.010 | | | | | | | | | | | | | | | | | | |
| 1 PLACE | ±.025 | ±.020 | | | | | | | | | | | | | | | | | | |
| DRAFT WHERE APPLICABLE MUST REMAIN WITHIN DIMENSIONS | | | MATERIAL NO. SEE CHART | TITLE MINI CHANGE ASSEMBLY 3-POLE FEMALE ST 16/3AWG PVC | | | | | | | | | | | | | | | | |
| SIZE C | | | THIS DRAWING CONTAINS INFORMATION THAT IS PROPRIETARY TO MOLEX INCORPORATED AND SHOULD NOT BE USED WITHOUT WRITTEN PERMISSION | MOLEX MOLEX INCORPORATED | | | | | | | | | | | | | | | | |
| | | | DOCUMENT NO. SD-130006-008 | SHEET NO. 1 OF 1 | | | | | | | | | | | | | | | | |

Mouser Electronics

Authorized Distributor

Click to View Pricing, Inventory, Delivery & Lifecycle Information:

Molex:

[1300060232](#) [103000A01F120](#)