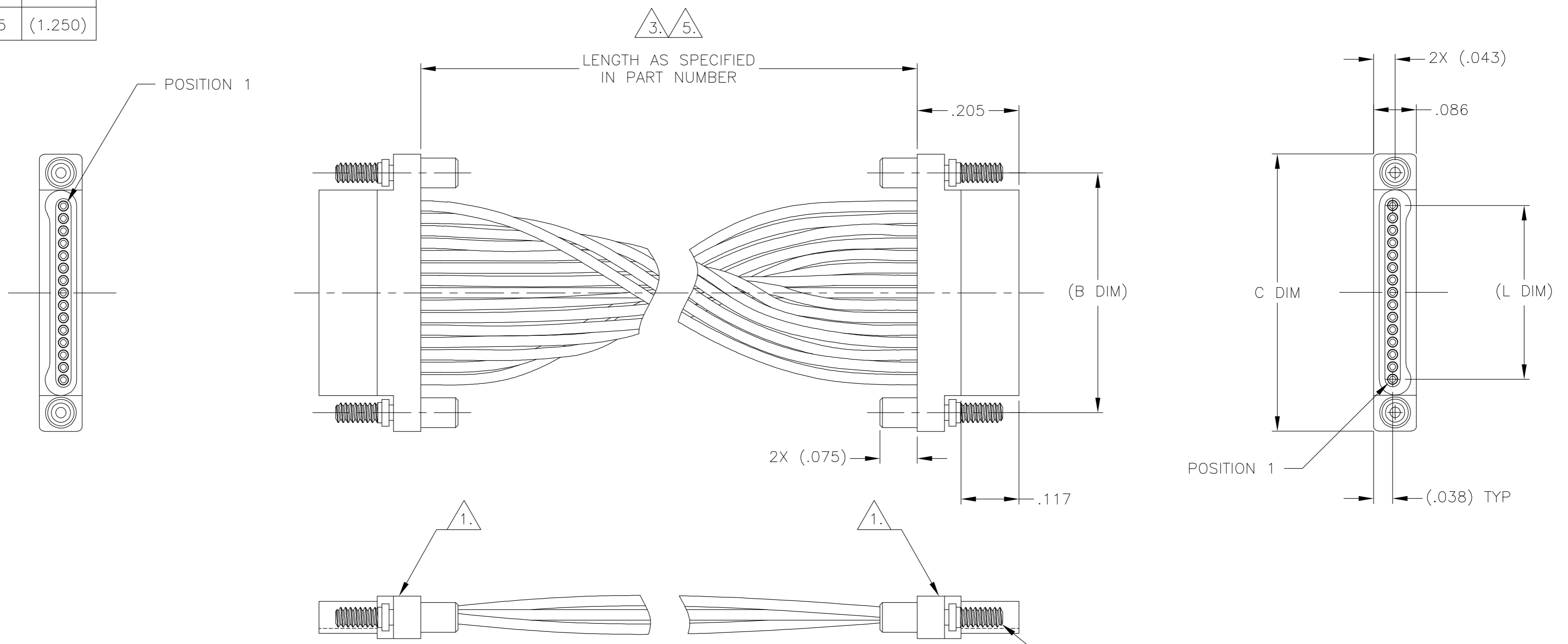


THIS DRAWING IS UNPUBLISHED. RELEASED FOR PUBLICATION
 © COPYRIGHT BY TYCO ELECTRONICS CORPORATION. ALL RIGHTS RESERVED.

LOC	DIST	REVISIONS					
DF	DO	P	LTR	DESCRIPTION	DATE	DWN	APVD
		C		UPDATE PER 0H2Y-0164-04	05-12-04	JDM	MKS

SIZE	(B DIM)	C DIM ±.0050	(L DIM)
05	(.233)	.3085	(.100)
09	(.333)	.4085	(.200)
15	(.483)	.5585	(.350)
25	(.733)	.8085	(.600)
37	(1.033)	1.1085	(.900)
51	(1.383)	1.4585	(1.250)



- 1. SHELL OPTIONS (TO BE SPECIFIED IN NANONICS PART NUMBER):
 METAL: 6061-T6 ALUMINUM, ELECTROLESS NICKEL PLATED PER MIL-C-26074 (STANDARD) OR GOLD PLATED PER MIL-G-45204
 303 STAINLESS STEEL, PASSIVATED PER SAE-AMS-QQ-P-35
 INSULATOR MATERIAL FOR ALL METAL SHELLS IS LIQUID CRYSTAL POLYMER (LCP) PER MIL-M-24519 OR PER ASTM D5138
 PLASTIC: LIQUID CRYSTAL POLYMER (LCP) PER MIL-M-24519 OR PER ASTM D5138
- 2. STANDARD 1.00UNM CAPTIVE JACKSCREWS ARE SHOWN FOR REFERENCE ONLY AND MUST BE SPECIFIED IN THE NANONICS PART NUMBER WHEN REQUIRED. JACKSCREW MATERIAL IS 303 STAINLESS STEEL, PASSIVATED PER SAE-AMS-QQ-P-35, AND DRY LUBED PER DOD-L-85645. RETAINING RING IS 17-4 STAINLESS STEEL, PASSIVATED PER SAE-AMS-QQ-P-35. JACKSCREWS HAVE A .9mm HEX SOCKET HEAD. 1.20UNM JACKSCREWS ALSO AVAILABLE.
- 3. THIS CONFIGURATION MAY BE TERMINATED WITH 28 AWG SOLID, 30 AWG STRANDED, OR SMALLER WIRE. STANDARD WIRING IS 1 TO 1.
- 4. THIS CONFIGURATION WOULD HAVE THE SAME CONNECTOR TYPE TERMINATED TO EACH END OF THE JUMPER ASSEMBLY.
- 5. LENGTH TOLERANCE: UP TO 25.0 INCHES, $\pm .25$; 25.0 INCHES AND LONGER, $\pm 1\%$
- 6. DIMENSIONS TYPICAL FOR BOTH CONNECTORS.

THIS DRAWING IS A CONTROLLED DOCUMENT.		DWN C SCHOLL 03-19-02	Tyco Electronics Corporation Harrisburg, PA 17105																		
DIMENSIONS: INCHES		CHK M STORRY 03-21-02																			
TOLERANCES UNLESS OTHERWISE SPECIFIED:		APVD D. MORALES 05-09-03	NAME JUMPER ASSEMBLY, PLUG TO PLUG, SINGLE ROW DUALLOBE, PLASTIC OR METAL																		
<table border="1"> <tr> <td>0 PLC</td> <td>±</td> <td>-</td> </tr> <tr> <td>1 PLC</td> <td>±</td> <td>-</td> </tr> <tr> <td>2 PLC</td> <td>±</td> <td>.010</td> </tr> <tr> <td>3 PLC</td> <td>±</td> <td>.005</td> </tr> <tr> <td>4 PLC</td> <td>±</td> <td>-</td> </tr> <tr> <td>ANGLES</td> <td>±</td> <td>1°</td> </tr> </table>		0 PLC	±	-	1 PLC	±	-	2 PLC	±	.010	3 PLC	±	.005	4 PLC	±	-	ANGLES	±	1°	PRODUCT SPEC -	SIZE A2
0 PLC	±	-																			
1 PLC	±	-																			
2 PLC	±	.010																			
3 PLC	±	.005																			
4 PLC	±	-																			
ANGLES	±	1°																			
MATERIAL SEE NOTES		FINISH SEE NOTES	CAGE CODE 00779																		
		APPLICATION SPEC -	DRAWING NO 1589735																		
		WEIGHT -	RESTRICTED TO -																		
		CUSTOMER DRAWING	SCALE 6:1																		
			SHEET 1 OF 1																		
			REV C																		

1589735

Mouser Electronics

Authorized Distributor

Click to View Pricing, Inventory, Delivery & Lifecycle Information:

[TE Connectivity:](#)

[JSM009PP2DCC03N](#)