

THIS DRAWING IS UNPUBLISHED.

RELEASED FOR PUBLICATION

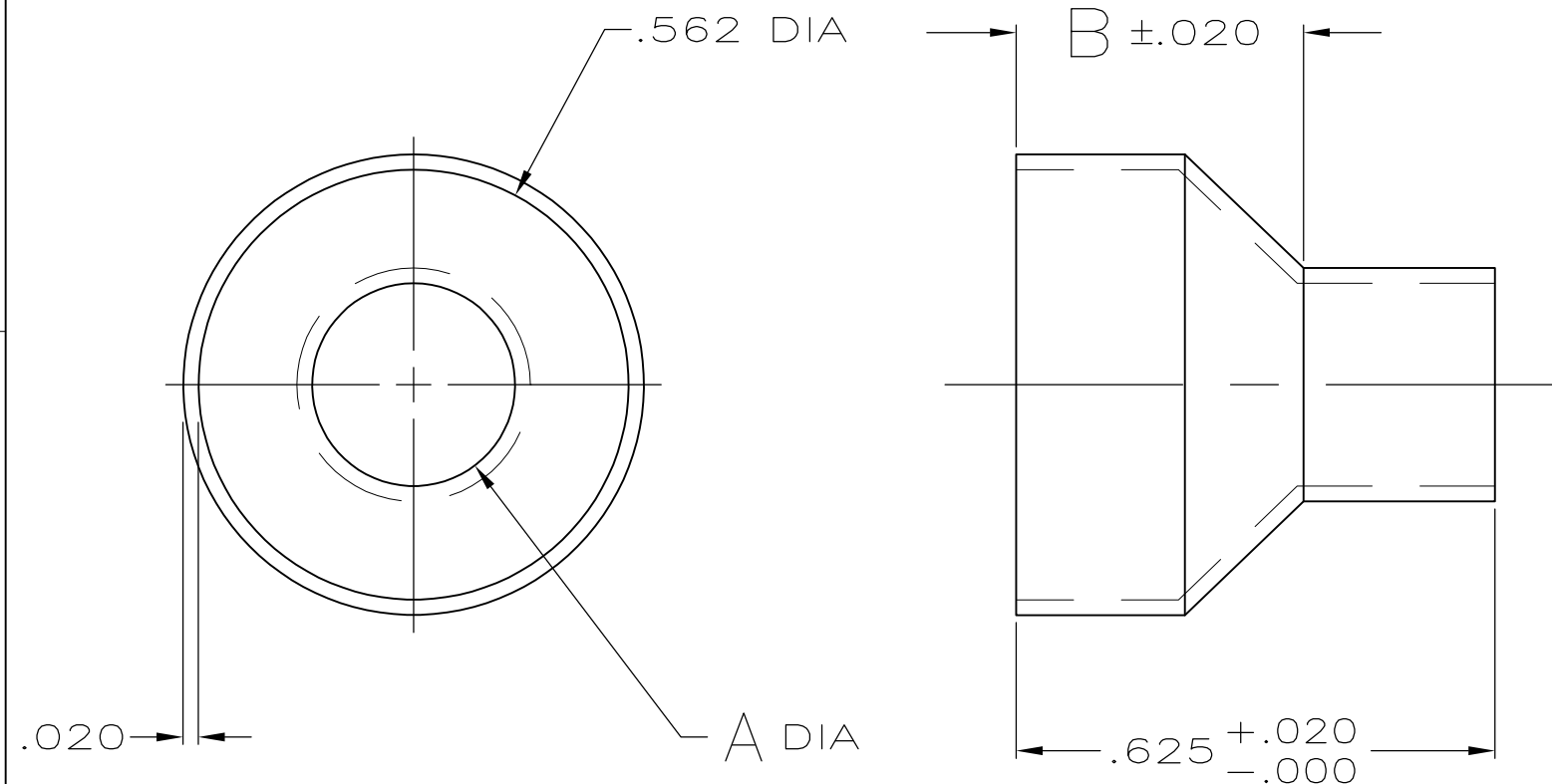
ALL RIGHTS RESERVED.

© COPYRIGHT - By -

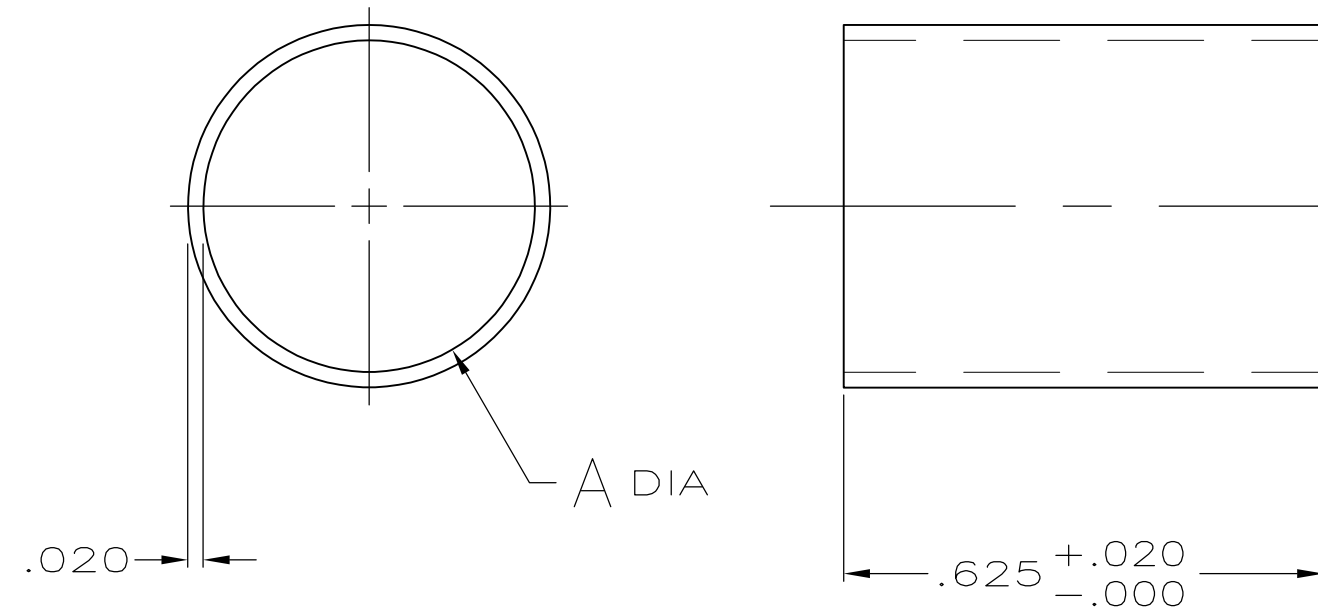
LOC GP DIST 00

REVISIONS

P	LTR	DESCRIPTION	DATE	DWN	APVD
L3		REVISED PER ECO-11-004835	11MAR11	RK	HMR



STYLE I (STEPPED)



STYLE II (STRAIGHT)

	②	I	.422-.490	.375	.490	3-747580-1	
	②	I	.230-.265	.375	.265	2-747580-4	
	②	I	.338-.385	.375	.385	2-747580-3	
	②	I I	.480-.562	-	.562	2-747580-2	
	②	I	.375-.432	.375	.432	2-747580-1	
OBSOLETE	①	I	.230-.265	.375	.265	1-747580-0	
OBSOLETE	①	I	.338-.385	.375	.385	747580-8	
OBSOLETE	①	I I	.480-.562	-	.562	747580-6	
OBSOLETE	①	I	.422-.490	.375	.490	747580-5	
OBSOLETE	①	I	.375-.432	.375	.432	747580-4	
		FINISH	STYLE	INSULATION RANGE DIA	B	A	PART NUMBER

① .000100 MIN BRIGHT TIN-LEAD OVER .000100 MIN COPPER.

② .000100 MIN BRIGHT TIN OVER .000100 MIN COPPER.

THIS DRAWING IS A CONTROLLED DOCUMENT.

DIMENSIONS: INCHES	TOLERANCES UNLESS OTHERWISE SPECIFIED:
	0 PLC ± -
	1 PLC ± -
	2 PLC ± -
	3 PLC ± .005
	4 PLC ± -
	ANGLES ± -
MATERIAL: STEEL, ANNEALED	FINISH: SEE TABLE

DWN B. MCMASTER	21MAY04
CHK J. GERACE	21MAY04
APVD M. WALMSLEY	21MAY04
PRODUCT SPEC	
APPLICATION SPEC	
WEIGHT	-

STE TE Connectivity			
NAME: OUTER FERRULE, SIZE 4 AND 5, AMPLIMITE SHIELDING HARDWARE			
SIZE	CAGE CODE	DRAWING NO	RESTRICTED TO
A3	00779	C-747580	-
CUSTOMER DRAWING		SCALE 4:1	SHEET 1 OF 1 REV L3

Mouser Electronics

Authorized Distributor

Click to View Pricing, Inventory, Delivery & Lifecycle Information:

[TE Connectivity:](#)

[2-747580-2](#)