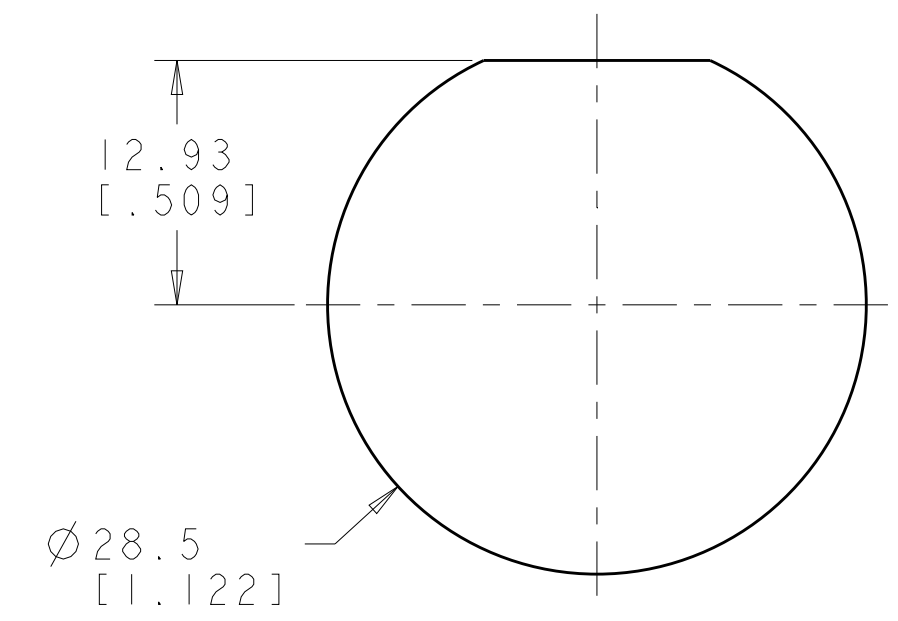
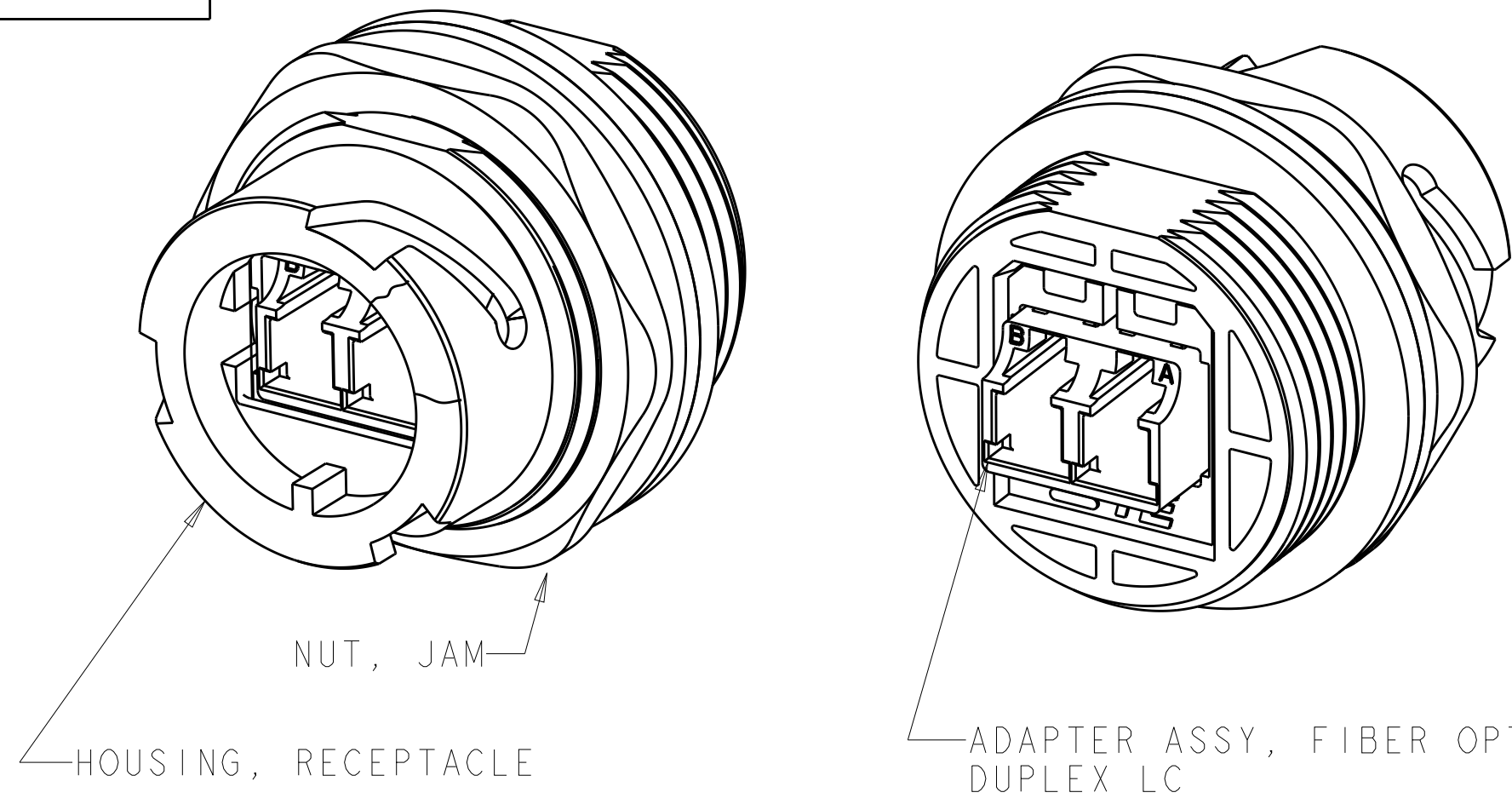
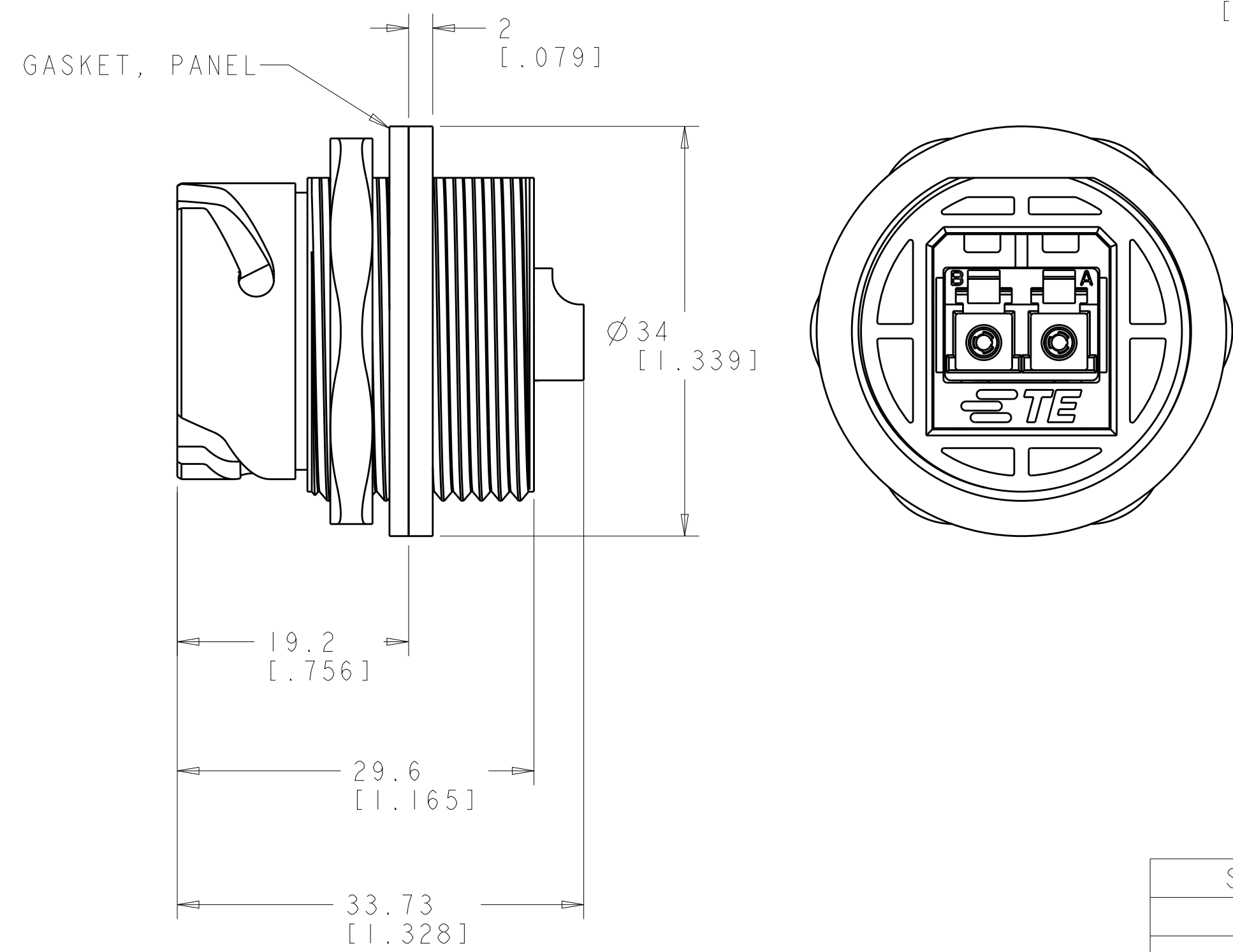
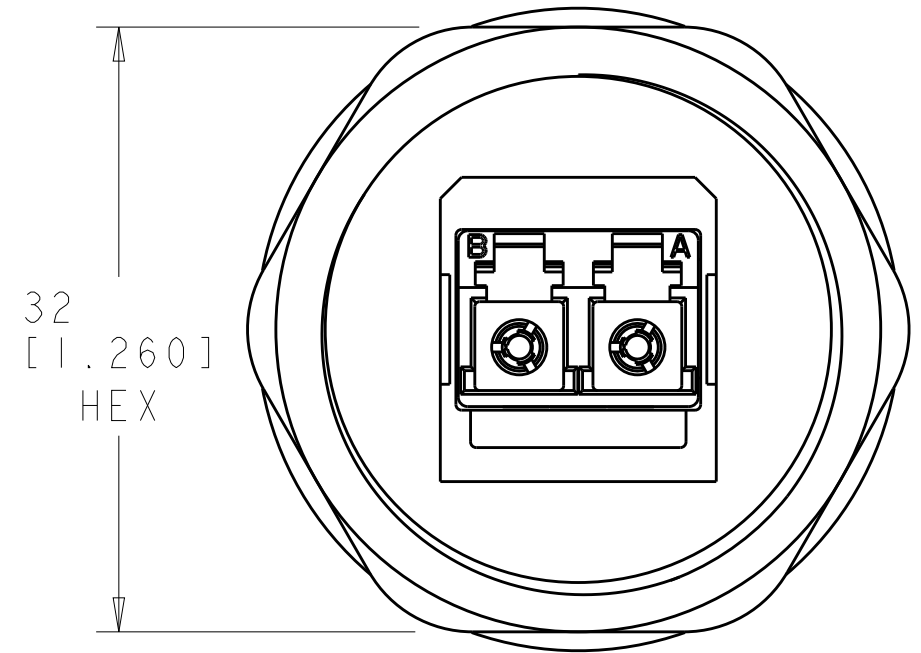


THIS DRAWING IS UNPUBLISHED. RELEASED FOR PUBLICATION 20  
 © COPYRIGHT 20 BY - ALL RIGHTS RESERVED.

REVISIONS					
P	LTR	DESCRIPTION	DATE	DWN	APVD
A		REL TO ACTIVE PER ECR-08-029127	10DEC2008	DDE	DDE
AI		ECR-13-016190	180C2013	KZ	RZ



RECOMMENDED PANEL CUT-OUT  
 MAX PANEL THICKNESS 3.2mm



⚠ MATERIAL:  
 HOUSING, RECEPTACLE: PBT, COLOR: BLACK\*  
 NUT, PANEL: BRASS, Ni PLATED  
 GASKET: SILICONE, COLOR: RED/ORANGE

LC DUPLEX ADAPTER ASSY:  
 HOUSING: PEI, COLOR: MM BEIGE, SM BLUE\*  
 PROTECTIVE COVERS: TPE, COLOR: BLACK\*  
 ALIGNMENT SLEEVES: MM METAL, SM CERAMIC

\* UL 94 V-0 RATED AT QUALIFYING THICKNESS.

- ADAPTER PROTECTIVE COVERS ARE INCLUDED; NOT SHOWN.
- ADAPTER SEALED PROTECTIVE CAP W/ TETHER IS ALSO AVAILABLE, P/N 1918177-1.

SINGLEMODE	1828619-2
MULTIMODE	1828619-1
DESCRIPTION	PART NO

THIS DRAWING IS A CONTROLLED DOCUMENT.		DWN D ERDMAN 19MAY2005	TE Connectivity	
DIMENSIONS: mm [IN]		CHK M GURRERI 19MAY2005		
		APVD - 19MAY2005		
TOLERANCES UNLESS OTHERWISE SPECIFIED:		PRODUCT SPEC	NAME KIT, RECEPTACLE, INDUSTRIAL DUPLEX LC ODVA	
0 PLC	±0.2	APPLICATION SPEC	SIZE	CAGE CODE
1 PLC	±0.1	WEIGHT	A2	00779
2 PLC	±0.1	CUSTOMER DRAWING	SCALE	DRAWING NO
3 PLC	±		5:2	C-1828619
4 PLC	±		SHEET	OF
ANGLES	±		1	1
FINISH	-		REV	AI

# Mouser Electronics

Authorized Distributor

Click to View Pricing, Inventory, Delivery & Lifecycle Information:

[TE Connectivity:](#)

[1828619-2](#)