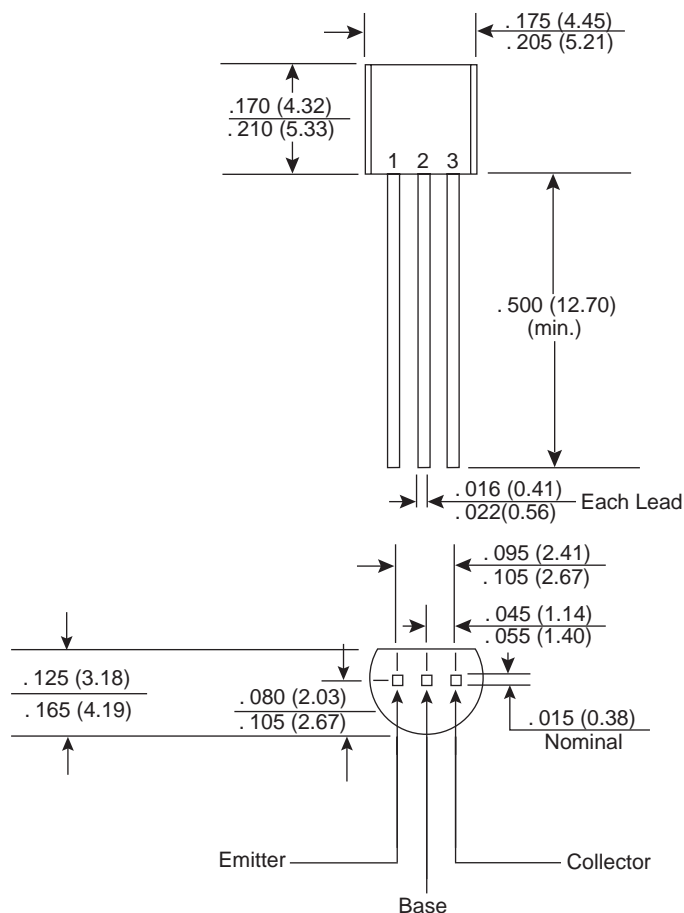


CG SUPV <input type="checkbox"/>	CG MGR <input type="checkbox"/>	MGMT Approvals (INIT/DATE)				
						MCI
Approved		/	/	/	/	/
Correct As Noted		/	/	/	/	/
Page Proofed		/	/	/	/	/



### Specifications:

- Type: PNP High Voltage
- $V_{CBO}$ : 200V
- $V_{CEO}$ : 200V
- $I_{C(DC)}$ : 500mA
- $P_c$ : 625mW @  $T_A=25^\circ\text{C}$
- $I_{CBO}$ : 0.25 $\mu\text{A}$  (max.) @  $V_{CB} = 160\text{V}$
- $h_{FE}$ : 30 (min.), 150 (max.) @  $V_{CE} 10\text{V}$ ,  $I_C=30\text{mA}$
- $V_{CE(SAT)}$ : 0.4V (max.) @  $I_C=20\text{mA}$ ,  $I_B=2.0\text{mA}$
- $V_{BE(SAT)}$ : 0.9V (max.) @  $I_C=20\text{mA}$ ,  $I_B=2.0\text{mA}$
- ft: 50MHz @  $V_{CE} =20\text{V}$ ,  $I_C=10\text{mA}$
- $C_{ob}$ : 8.0pF (max.)

# Mouser Electronics

Authorized Distributor

Click to View Pricing, Inventory, Delivery & Lifecycle Information:

[Central Semiconductor:](#)

[MPSA93](#)