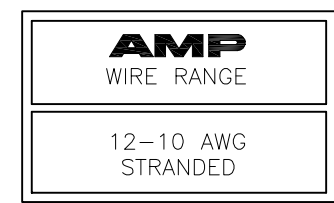
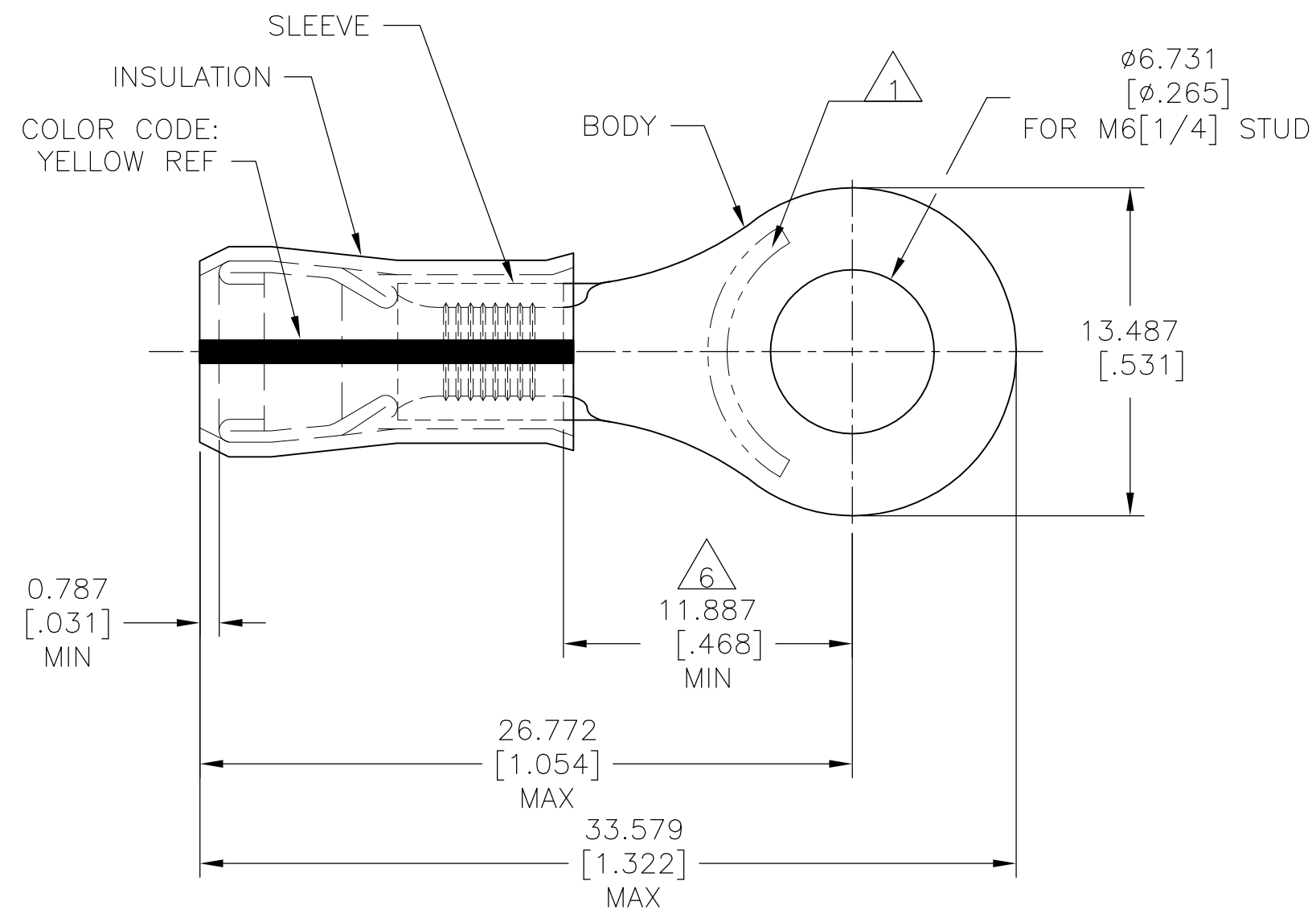


REVISIONS					
P	LTR	DESCRIPTION	DATE	DWN	APVD
	L3	REVISED PER ECO-12-007718	08MAY12	KH	DR
	L4	REVISED PER ECO-17-007400	24NOV2017	RS	DR



- △1 STAMP AMP 12-10* APPROX AS SHOWN.
- 2 WIRE INSULATION : $\phi 3.810-5.842$ [$\phi .150-.230$]
- 3 BODY MATERIAL THK: 0.991 ± 0.051 [$.039 \pm .002$]
- △4 FINISH:
BODY & SLEEVE: TIN-LEAD (93-7) PLATE PER ASTM B545,
(3% MIN LEAD CONTENT)
INSULATION: COLOR-NATURAL.
- △5 MATERIAL:
BODY & SLEEVE: CU PER ASTM B152
INSULATION: PVF2,
- △6 APPLIES FROM EDGE OF METAL WIRE BARREL
TO CENTER OF STUD HOLE.
- △7 MEETS M7928/4-157, CLASS 1 & 2
MEETS M7928/13-157. CLASS 1 & 2

500	LOOSE PIECE	△7 53426-1
QTY	PACKAGE TYPE	PART NO

AMP INCORPORATED CUSTOMER SERVICE SYSTEMS		MAX RECOMMENDED OPERATING TEMPERATURE: 150°C [302°F] MAX	THIS DRAWING IS A CONTROLLED DOCUMENT.		DWN JR RUTH 16OCT07	STE TE Connectivity					
FOR ADDITIONAL PRODUCT INFORMATION OR COPIES OF DRAWINGS AND TECHNICAL DOCUMENTS	PRODUCT INFORMATION CENTER 1-800-522-6752	VOLTAGE RATING: -	DIMENSIONS: mm [INCHES]	TOLERANCES UNLESS OTHERWISE SPECIFIED:	CHK T MICHELUTTI 16OCT07				NAME TERMINAL, RING TONGUE, PVF2, P.I.D.G. WIRE SIZE: 12-10 AWG		
FOR APPLICATION TOOLING INFORMATION	TOOLING ASSISTANCE CENTER 1-800-722-1111	CIRCULAR MIL AREA: 2.62-6.64mm ² [5,180-13,100] STRANDED		0 PLC ± - 1 PLC ± - 2 PLC ± - 3 PLC ± 0.127[.005] 4 PLC ± - ANGLES ± -	APVD T MICHELUTTI 16OCT07	PRODUCT SPEC	APPLICATION SPEC	SIZE	CAGE CODE	DRAWING NO	RESTRICTED TO
FOR ORDER ENTRY	1-800-526-5142	THIS DRAWING IS A CONTROLLED DOCUMENT FOR AMP INCORPORATED. IT IS SUBJECT TO CHANGE AND THE CONTROLLING ENGINEERING ORGANIZATION SHOULD BE CONTACTED FOR THE LATEST REVISION.	MATERIAL △5	FINISH △4	114-2157	WEIGHT	A3	00779	C-53426		
					CUSTOMER DRAWING	SCALE	4:1	SHEET	1 OF 1	REV	L4