

**NOTES :**

**1. MATERIAL:**

HOUSING: LCP FIBER GLASS FILLED UL 94-V0  
 COLOR BLACK.  
 TERMINAL: COPPER ALLOY  
 BASE FINISH: NICKEL  
 CONTACT SURFACE FINISH  
 GOLD  
 OR  
 GOLD FLASH OVER PALLADIUM NICKEL  
 EXCEEDS PRODUCT REQUIREMENTS BASED ON PSD-95503-001

**2. JACK FOR MATING WITH F.C.C. 68 PLUGS**

90075 MOLEX SERIES.

**3. P.C.B. THICKNESS: 1.57**

**4. PRODUCT SPECIFICATION PSD-95503-001**

**5. PACKAGING SPECIFICATION:**

STANDARD PACKAGING PK-95003 SHEET 1.

TUBE PACKAGING FOR SMT VERSION PK-95003 SHEET 2.

TUBE PACKAGING FOR THROUGH HOLE VERSION

PK-95003 SHEET 3.

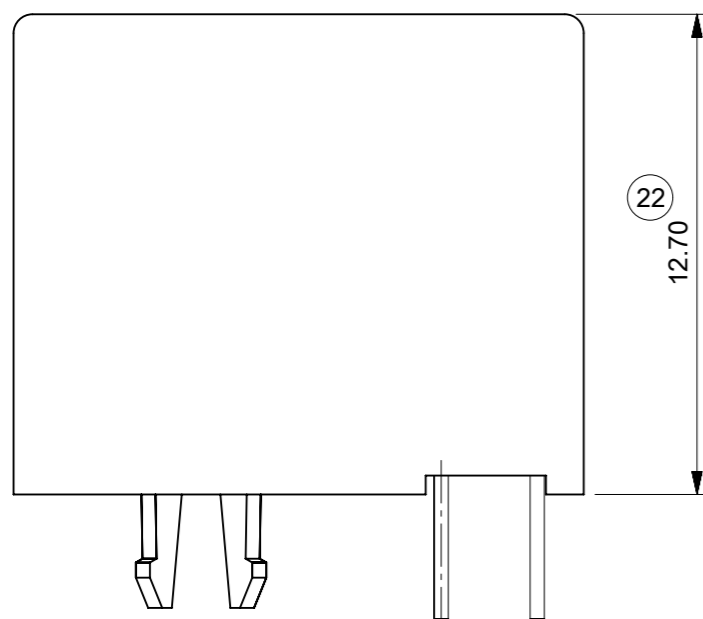
TAPE AND REEL PACKAGING FOR THROUGH HOLE PK-95503-001.

**6. MANUFACTURING I.D. CAN BE MXF, MG, MXI OR MXCH.**

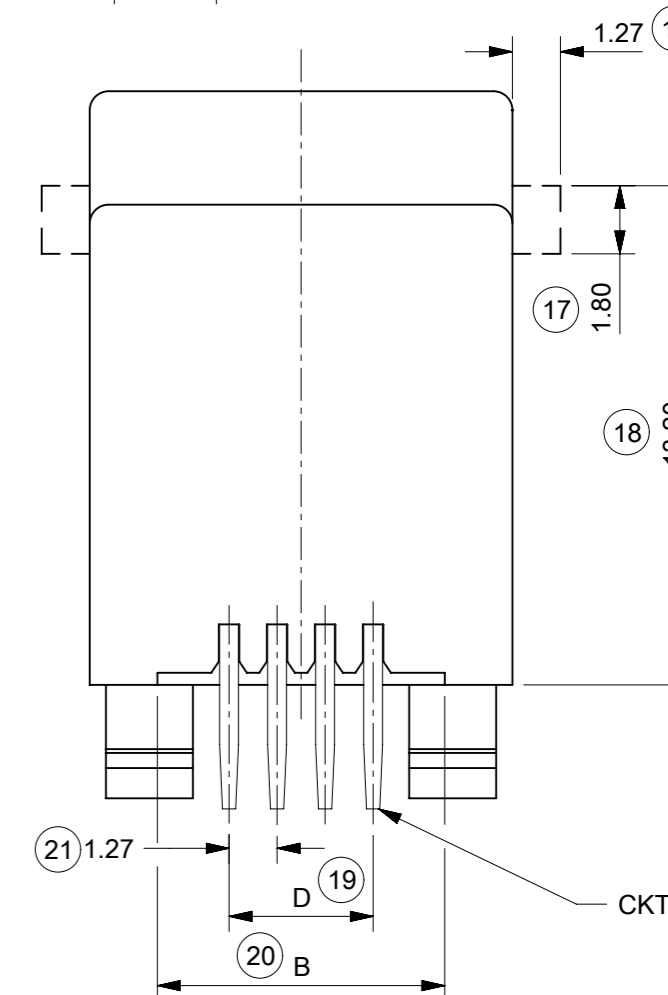
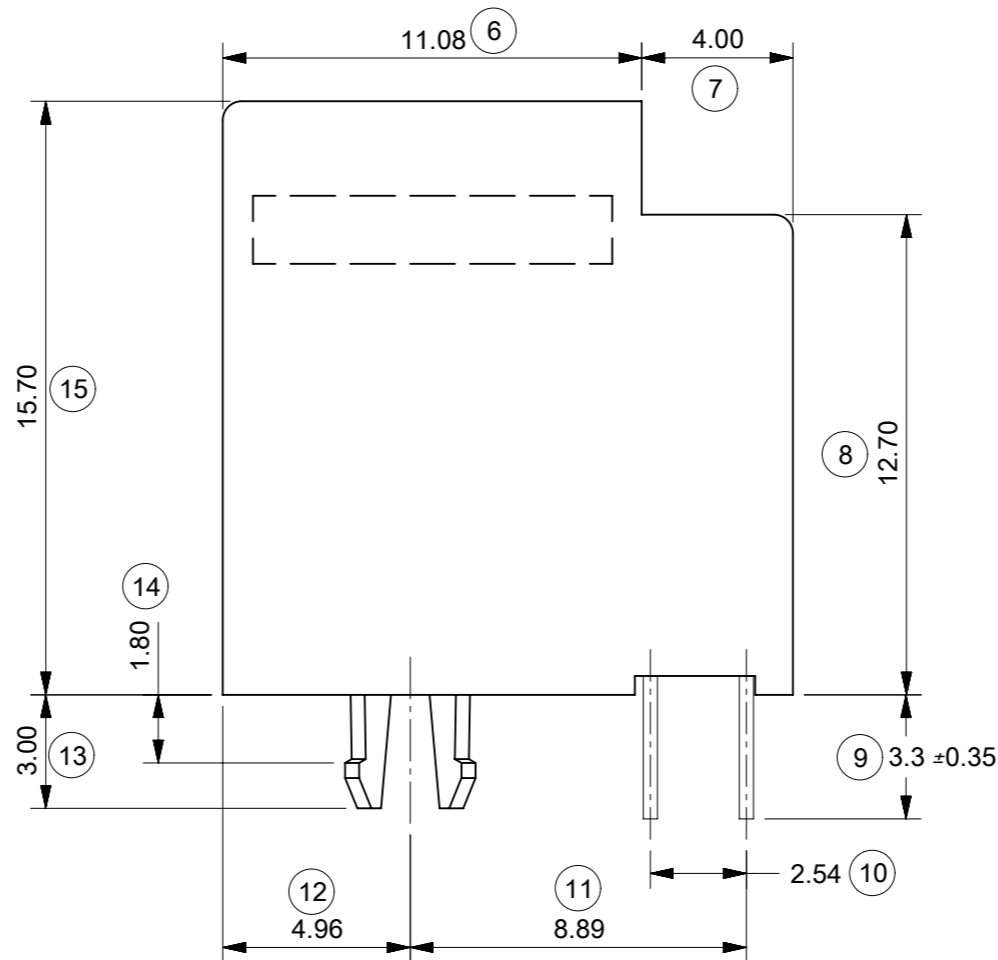
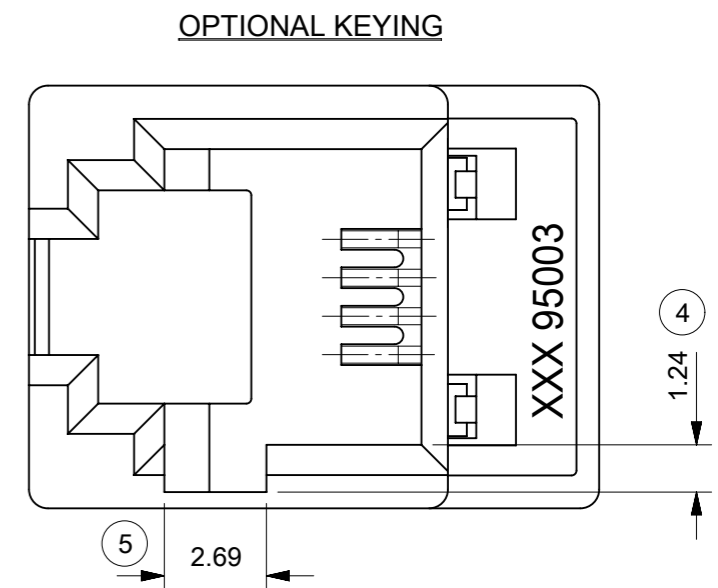
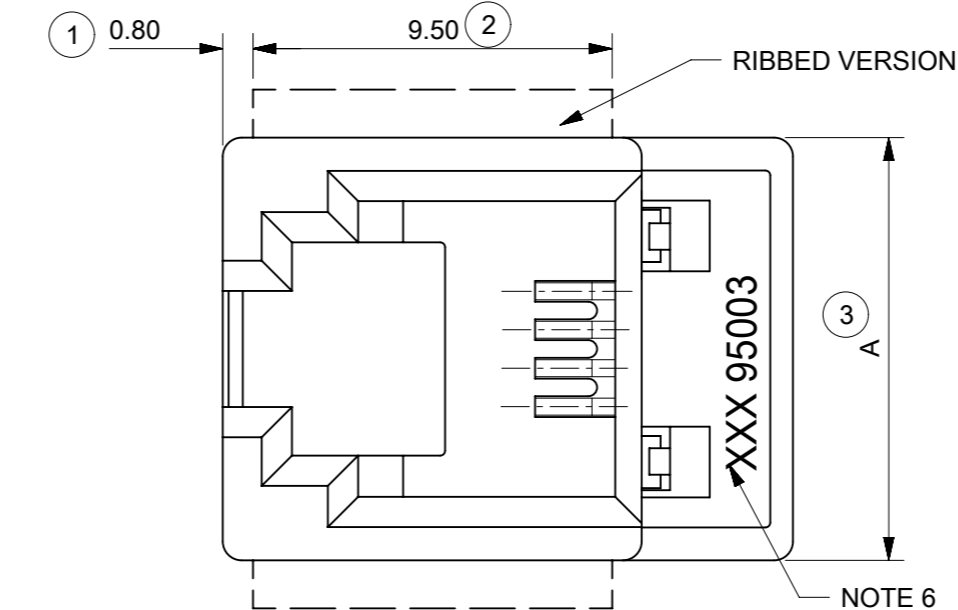
INSPECTION NUMBERS USED: (1) - (50)

LAST INSPECTION NUMBER: (22)

TYPE DIM.	POS. 4	POS. 6		POS. 8
	4 CKTS.	4 CKTS.	6 CKTS.	8 CKTS.
A	11.18	13.21	13.21	15.24
B	7.62	10.16	10.16	11.43
D	3.81	3.81	6.35	8.89



**SHORT VERSION**



FUNCTIONAL SYMBOLS FA = 0 FE = 0 FD = 0	THIS DRAWING CONTAINS INFORMATION THAT IS PROPRIETARY TO MOLEX ELECTRONIC TECHNOLOGIES, LLC AND SHOULD NOT BE USED WITHOUT WRITTEN PERMISSION	CURRENT REV DESC: ADD "MXCH" AS MANUFACTURING I.D. SEE NOTE 6.		<b>molex</b>		
	GENERAL TOLERANCES (UNLESS SPECIFIED)	EC NO: 641518	2017/07/05			LOW PROFILE TOP ENTRY JACK (THROUGH HOLE VERSION)
	ANGULAR TOL ± 0.5°	4 PLACES ±	DRWN: BCAFFREY	2020/08/25	PRODUCT CUSTOMER DRAWING	
	DIVISIONAL SYMBOLS	3 PLACES ±	CHK'D: KLANG	2020/08/25	DOCUMENT NUMBER	
	2 PLACES ± 0.15	APPR: KLANG		SD-95503-003	DOC TYPE	
	1 PLACE ± 0.25	INITIAL REVISION:		PSD	DOC PART	
	0 PLACES ±	DRWN: TMARTIN	2005/06/29	001	REVISION	
		APPR: KNOLLER	2005/07/04	H		
	DRAFT WHERE APPLICABLE MUST REMAIN WITHIN DIMENSIONS	THIRD ANGLE PROJECTION	DRAWING	SERIES	MATERIAL NUMBER	
			A3-SIZE	95503	CUSTOMER	
					GENERAL MARKET	
					SHEET NUMBER	
					1 OF 5	

**NOTES:**

**1. MATERIAL:**

HOUSING: L C P FIBER GLASS FILLED UL 94-V0  
COLOR BLACK.

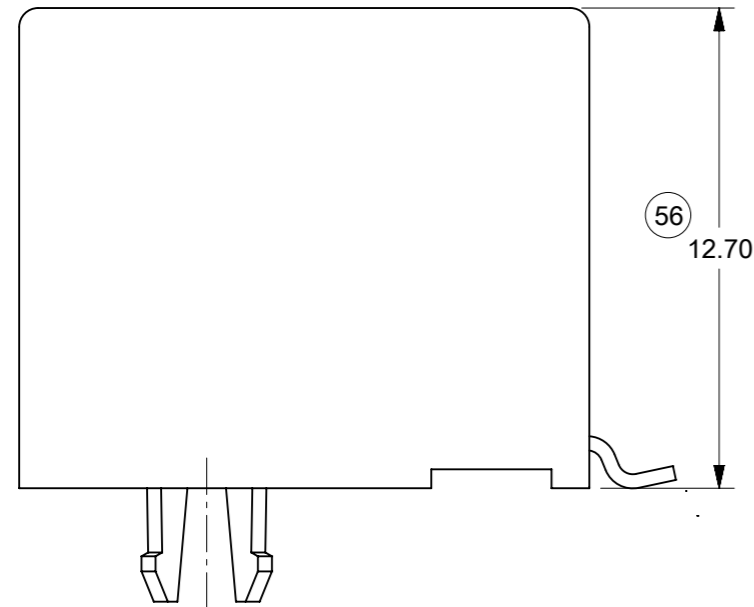
**2. APPLICATION SPECIFICATION:** AS-85513-001 (SMT).

**3. SEE OTHER NOTES SHEET 1.**

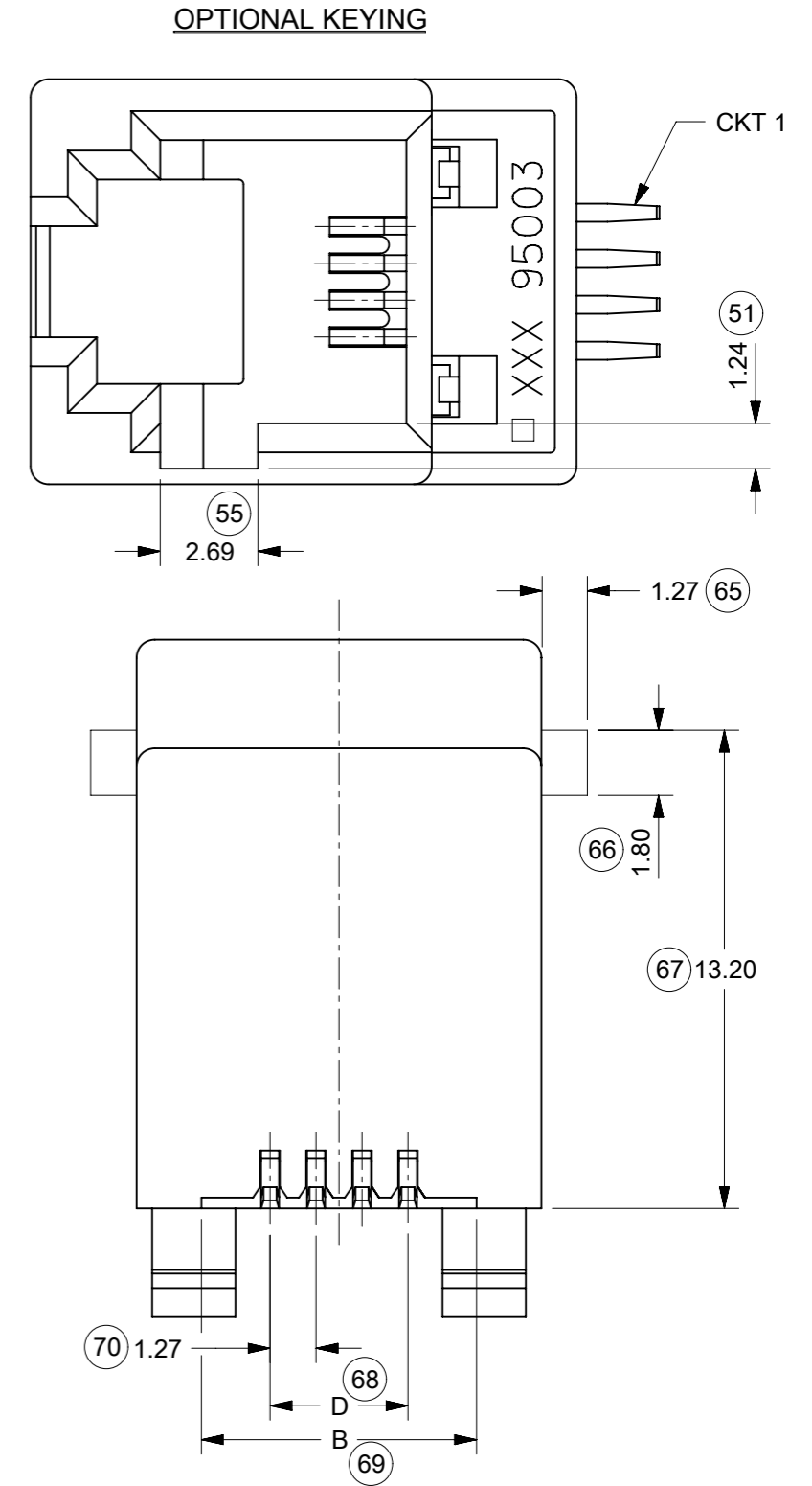
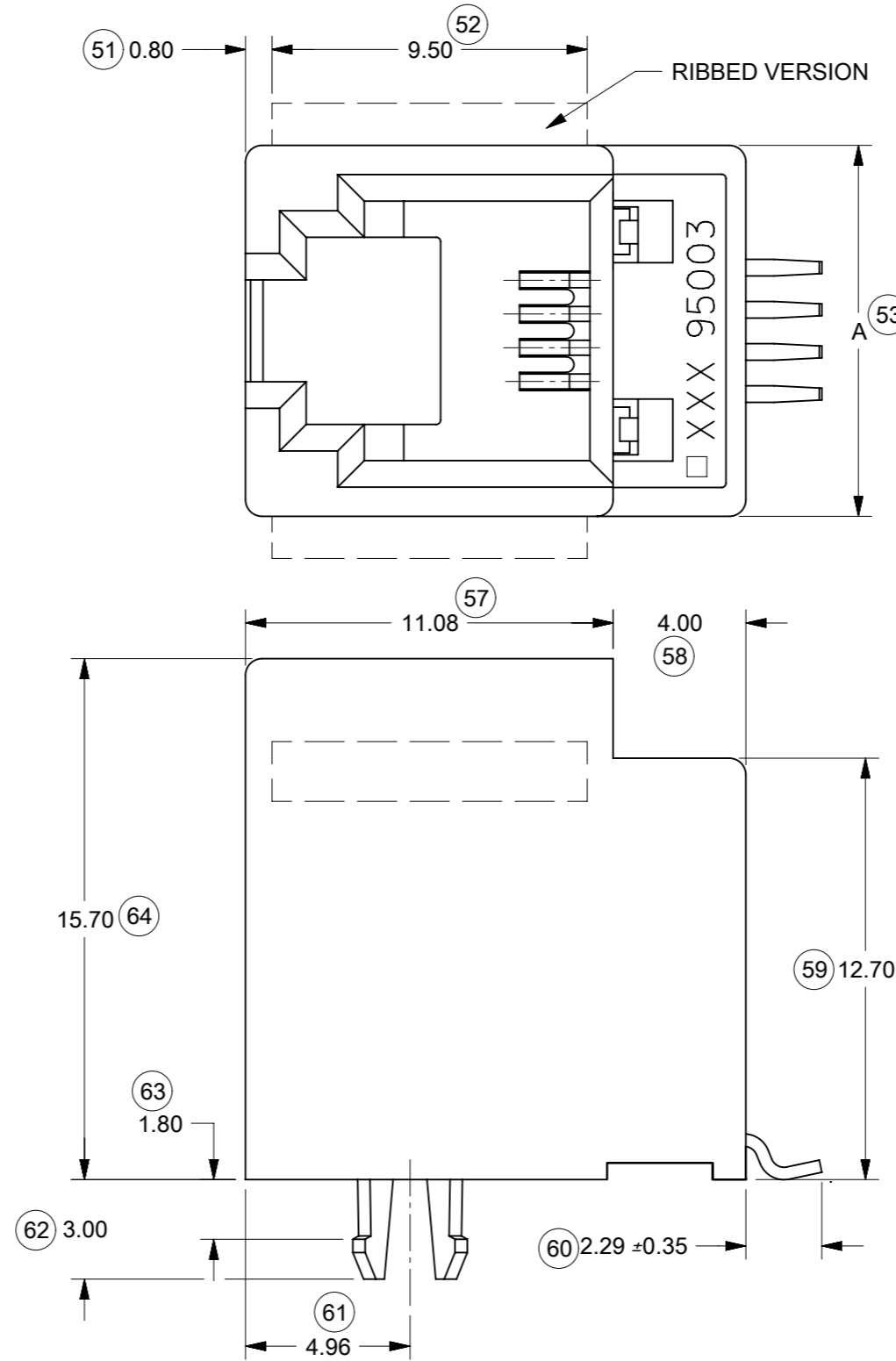
**4. COPLANARITY OF SIGNAL TAILS 0.1mm MAX  
RELEVANT TO EACH OTHER.**

INSPECTION NUMBERS USED: (51) - (100)

LAST INSPECTION NUMBER: (70)



**SHORT VERSION**



DIM. \ TYPE	POS. 4	POS. 6		POS. 8
	4 CKTS.	4 CKTS.	6 CKTS.	8 CKTS.
A	11.18	13.21	13.21	15.24
B	7.62	10.16	10.16	11.43
D	3.81	3.81	6.35	8.89

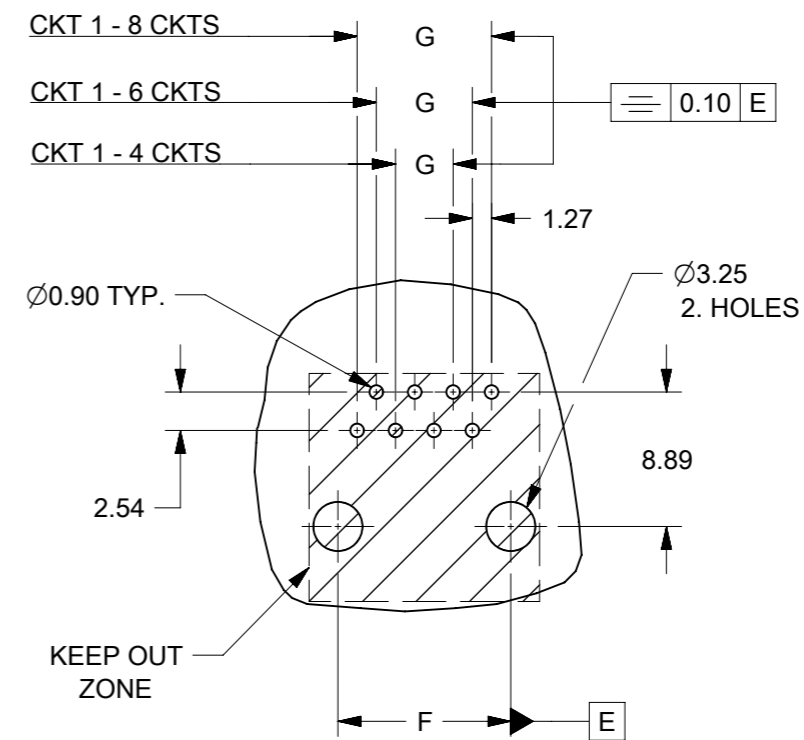
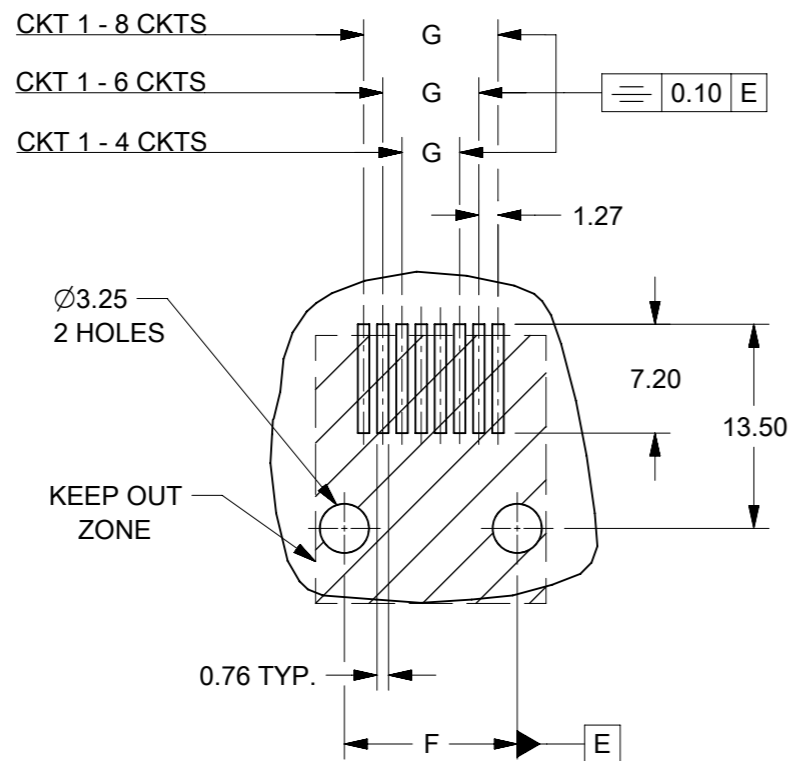
FUNCTIONAL SYMBOLS	THIS DRAWING CONTAINS INFORMATION THAT IS PROPRIETARY TO MOLEX ELECTRONIC TECHNOLOGIES, LLC AND SHOULD NOT BE USED WITHOUT WRITTEN PERMISSION	CURRENT REV DESC: ADD "MXCH" AS MANUFACTURING I.D. SEE NOTE 6.																																																	
	<table border="1"> <tr> <th>DIMENSION UNITS</th> <th>SCALE</th> </tr> <tr> <td>mm</td> <td>1:1</td> </tr> </table>	DIMENSION UNITS	SCALE				mm	1:1	<table border="1"> <tr> <th colspan="3">GENERAL TOLERANCES (UNLESS SPECIFIED)</th> </tr> <tr> <td>ANGULAR TOL</td> <td>±</td> <td>0.5°</td> </tr> <tr> <td>4 PLACES</td> <td>±</td> <td></td> </tr> <tr> <td>3 PLACES</td> <td>±</td> <td></td> </tr> <tr> <td>2 PLACES</td> <td>±</td> <td>0.15</td> </tr> <tr> <td>1 PLACE</td> <td>±</td> <td>0.25</td> </tr> <tr> <td>0 PLACES</td> <td>±</td> <td></td> </tr> </table>		GENERAL TOLERANCES (UNLESS SPECIFIED)			ANGULAR TOL	±	0.5°	4 PLACES	±		3 PLACES	±		2 PLACES	±	0.15	1 PLACE	±	0.25	0 PLACES	±		<table border="1"> <tr> <td>EC NO: 641518</td> <td>2017/07/05</td> </tr> <tr> <td>DRWN: BCAFFREY</td> <td>2020/08/25</td> </tr> <tr> <td>CHK'D: KLANG</td> <td>2020/08/25</td> </tr> <tr> <td>APPR: KLANG</td> <td>2020/08/25</td> </tr> </table>		EC NO: 641518	2017/07/05	DRWN: BCAFFREY	2020/08/25	CHK'D: KLANG	2020/08/25	APPR: KLANG	2020/08/25	<table border="1"> <tr> <th colspan="3">PRODUCT CUSTOMER DRAWING</th> </tr> <tr> <td>DOCUMENT NUMBER</td> <td>DOC TYPE</td> <td>DOC PART</td> <td>REVISION</td> </tr> <tr> <td>SD-95503-003</td> <td>PSD</td> <td>001</td> <td>H</td> </tr> </table>			PRODUCT CUSTOMER DRAWING			DOCUMENT NUMBER	DOC TYPE	DOC PART	REVISION
DIMENSION UNITS	SCALE																																																		
mm	1:1																																																		
GENERAL TOLERANCES (UNLESS SPECIFIED)																																																			
ANGULAR TOL	±	0.5°																																																	
4 PLACES	±																																																		
3 PLACES	±																																																		
2 PLACES	±	0.15																																																	
1 PLACE	±	0.25																																																	
0 PLACES	±																																																		
EC NO: 641518	2017/07/05																																																		
DRWN: BCAFFREY	2020/08/25																																																		
CHK'D: KLANG	2020/08/25																																																		
APPR: KLANG	2020/08/25																																																		
PRODUCT CUSTOMER DRAWING																																																			
DOCUMENT NUMBER	DOC TYPE	DOC PART	REVISION																																																
SD-95503-003	PSD	001	H																																																
DIVISIONAL SYMBOLS	<table border="1"> <tr> <th colspan="2">INITIAL REVISION:</th> </tr> <tr> <td>DRWN: TMARTIN</td> <td>2005/06/29</td> </tr> <tr> <td>APPR: KNOLLER</td> <td>2005/07/04</td> </tr> </table>	INITIAL REVISION:		DRWN: TMARTIN	2005/06/29	APPR: KNOLLER	2005/07/04	<table border="1"> <tr> <th colspan="2">THIRD ANGLE PROJECTION</th> </tr> <tr> <td></td> <td></td> </tr> </table>		THIRD ANGLE PROJECTION				<table border="1"> <tr> <th>DRAWING</th> <th>SERIES</th> <th>MATERIAL NUMBER</th> <th>CUSTOMER</th> <th>SHEET NUMBER</th> </tr> <tr> <td>A3-SIZE</td> <td>95503</td> <td>SEE CHART</td> <td>GENERAL MARKET</td> <td>2 OF 5</td> </tr> </table>	DRAWING	SERIES	MATERIAL NUMBER	CUSTOMER	SHEET NUMBER	A3-SIZE	95503	SEE CHART	GENERAL MARKET	2 OF 5																											
INITIAL REVISION:																																																			
DRWN: TMARTIN	2005/06/29																																																		
APPR: KNOLLER	2005/07/04																																																		
THIRD ANGLE PROJECTION																																																			
DRAWING	SERIES	MATERIAL NUMBER	CUSTOMER	SHEET NUMBER																																															
A3-SIZE	95503	SEE CHART	GENERAL MARKET	2 OF 5																																															

TYPE \ DIM.	POS. 4	POS. 6		POS.8
	4 CKTS.	4 CKTS.	6 CKTS.	8 CKTS.
F±0.05	7.62	10.16	10.16	11.43
G±0.05	3.81	3.81	6.35	8.89

P.C.B MOUNTING PATTERNS - SEEN FROM COMPONENT SIDE

FOR SMT JACK (SURFACE MOUNT)

FOR STANDARD JACK (THROUGH HOLE)



NOTES:  
ALL DIMENSIONS REF DIMENSIONS.

FUNCTIONAL SYMBOLS	THIS DRAWING CONTAINS INFORMATION THAT IS PROPRIETARY TO MOLEX ELECTRONIC TECHNOLOGIES, LLC AND SHOULD NOT BE USED WITHOUT WRITTEN PERMISSION			
	$\nabla_A = 0$ $\nabla_E = 0$ $\nabla_V = 0$	DIMENSION UNITS: <b>mm</b> SCALE: <b>1:1</b>		
DIVISIONAL SYMBOLS	GENERAL TOLERANCES (UNLESS SPECIFIED)		EC NO: 641518 DRWN: BCAFFREY CHK'D: KLANG APPR: KLANG	
	ANGULAR TOL ± 0.5° 4 PLACES ± 3 PLACES ± 2 PLACES ± 0.15 1 PLACE ± 0.25 0 PLACES ±		2017/07/05 2020/08/25 2020/08/25	
DRAFT WHERE APPLICABLE MUST REMAIN WITHIN DIMENSIONS			INITIAL REVISION: DRWN: TMARTIN APPR: KNOLLER	2005/06/29 2005/07/04
THIRD ANGLE PROJECTION 		DRAWING: <b>A3-SIZE</b>	SERIES: <b>95503</b>	MATERIAL NUMBER: <b>SD-95503-003</b> CUSTOMER: <b>GENERAL MARKET</b>
DOCUMENT STATUS: <b>P1</b> RELEASE DATE: <b>2020/08/25 03:53:19</b>		PRODUCT CUSTOMER DRAWING		DOC TYPE: <b>PSD</b> DOC PART: <b>001</b> REVISION: <b>H</b>
SHEET NUMBER: <b>3 OF 5</b>		SHEET NUMBER: <b>3 OF 5</b>		

F  
E  
D  
C  
B  
A

HOUSING SIZE	LOADED CONTACTS
4	4
6	4
6	6
8	8

PART NO. FOR JACK ASSEMBLY THROUGH HOLE STANDARD VERSION					
LCP FIBER GLASS FILLED UL-94V0 COLOR BLACK					
NO KEY	TOOLED	KEY	TOOLED		TOOLED
NO RIB	TOOLED	NO RIB	TOOLED		TOOLED
95503-2441	X				
95503-2641	X				
95503-2661	X				
95503-2881	X	95503-2882	X		

TRAY PACKAGING  
SEE PACKAGING SPEC PK-95003 SHEET 1

PART NO. FOR JACK ASSEMBLY THROUGH HOLE STANDARD VERSION					
LCP FIBER GLASS FILLED UL-94V0 COLOR BLACK					
NO KEY	TOOLED	KEY	TOOLED		TOOLED
NO RIB	TOOLED	NO RIB	TOOLED		TOOLED
95503-2884	X				

TRAY PACKAGING  
SEE PACKAGING SPEC PK-95003 SHEET 1

PART NO. FOR JACK ASSEMBLY THROUGH HOLE SHORT VERSION					
LCP FIBER GLASS FILLED UL-94V0 COLOR BLACK					
NO KEY	TOOLED	KEY	TOOLED		TOOLED
NO RIB	TOOLED	NO RIB	TOOLED		TOOLED
95503-2440	X				
95503-2640					
95503-2660					
95503-2880	X				

TAPE AND REEL PACKAGING  
SEE PACKAGING SPEC PK-95503 SHEET 1

TOOLED	X
NOT TOOLED	

NOTES:  
PLATING: SEE SHEET 1

FUNCTIONAL SYMBOLS $\nabla_A = 0$ $\nabla_B = 0$ $\nabla_C = 0$ DIVISIONAL SYMBOLS	THIS DRAWING CONTAINS INFORMATION THAT IS PROPRIETARY TO MOLEX ELECTRONIC TECHNOLOGIES, LLC AND SHOULD NOT BE USED WITHOUT WRITTEN PERMISSION	EC NO: 641518 DRWN: BCAFFREY CHK'D: KLANG APPR: KLANG	2017/07/05 2020/08/25 2020/08/25	<b>molex</b> LOW PROFILE TOP ENTRY JACK (THROUGH HOLE VERSION)			
	DIMENSION UNITS: <b>mm</b> SCALE: <b>1:1</b>	CURRENT REV DESC: ADD "MXCH" AS MANUFACTURING I.D. SEE NOTE 6.	PRODUCT CUSTOMER DRAWING				
	GENERAL TOLERANCES (UNLESS SPECIFIED) ANGULAR TOL $\pm 0.5^\circ$ 4 PLACES $\pm$ 3 PLACES $\pm$ 2 PLACES $\pm 0.15$ 1 PLACE $\pm 0.25$ 0 PLACES $\pm$	INITIAL REVISION: DRWN: TMARTIN APPR: KNOLLER	2005/06/29 2005/07/04	DOCUMENT NUMBER <b>SD-95503-003</b>	DOC TYPE PSD	DOC PART 001	REVISION H
	DRAFT WHERE APPLICABLE MUST REMAIN WITHIN DIMENSIONS	THIRD ANGLE PROJECTION	DRAWING <b>A3-SIZE</b>	SERIES <b>95503</b>	MATERIAL NUMBER SEE CHART	CUSTOMER GENERAL MARKET	SHEET NUMBER 4 OF 5

TUBE PACKAGING, SEE PACKAGING SPEC. PK 95003

SHEET 2

HOUSING SIZE	LOADED CONTACTS
4	4
6	4
6	6
8	8

PART NO. FOR JACK ASSEMBLY S.M.T. STANDARD VERSION							
LCP FIBER GLASS FILLED UL-94V0 COLOR BLACK.							
NO KEY	TOOLED	KEY	TOOLED	NO KEY	TOOLED		TOOLED
NO RIB	TOOLED	NO RIB	TOOLED	RIB	TOOLED		TOOLED
95503-6451	X						
95503-6651	X						
95503-6671	X						
95503-6891	X			95503-6887	X		

PART NO. FOR JACK ASSEMBLY S.M.T. SHORT VERSION							
LCP FIBER GLASS FILLED UL-94V0 COLOR BLACK.							
NO KEY	TOOLED	KEY	TOOLED	NO KEY	TOOLED		TOOLED
NO RIB	TOOLED	NO RIB	TOOLED	RIB	TOOLED		TOOLED
95503-6894	X						

TOOLED	X
NOT TOOLED	

NOTES:  
PLATING: SEE SHEET 1

FUNCTIONAL SYMBOLS	THIS DRAWING CONTAINS INFORMATION THAT IS PROPRIETARY TO MOLEX ELECTRONIC TECHNOLOGIES, LLC AND SHOULD NOT BE USED WITHOUT WRITTEN PERMISSION		
	$\nabla_A = 0$ $\nabla_B = 0$ $\nabla_C = 0$	DIMENSION UNITS <b>mm</b>	SCALE <b>1:1</b>
DIVISIONAL SYMBOLS	GENERAL TOLERANCES (UNLESS SPECIFIED)		EC NO: 641518 DRWN: BCAFFREY CHK'D: KLANG APPR: KLANG INITIAL REVISION: DRWN: TMARTIN APPR: KNOLLER
	ANGULAR TOL $\pm 0.5^\circ$		
	4 PLACES	$\pm$	
	3 PLACES	$\pm$	
	2 PLACES	$\pm 0.15$	
1 PLACE	$\pm 0.25$		
0 PLACES	$\pm$		
DRAFT WHERE APPLICABLE MUST REMAIN WITHIN DIMENSIONS		THIRD ANGLE PROJECTION	DRAWING <b>A3-SIZE</b>
		SERIES	95503 SEE CHART
		MATERIAL NUMBER	CUSTOMER GENERAL MARKET
		DOCUMENT NUMBER	DOC TYPE PSD
		DOC PART	001
		REVISION	H
		SHEET NUMBER	5 OF 5

**molex**

LOW PROFILE  
TOP ENTRY JACK (THROUGH HOLE VERSION)

PRODUCT CUSTOMER DRAWING

SD-95503-003

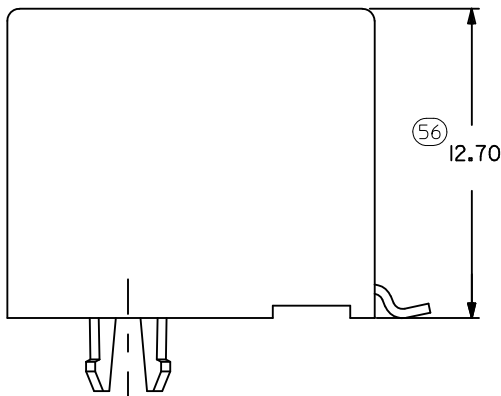
10 9 8 7 6 5 4 3 2 1

**NOTES :**

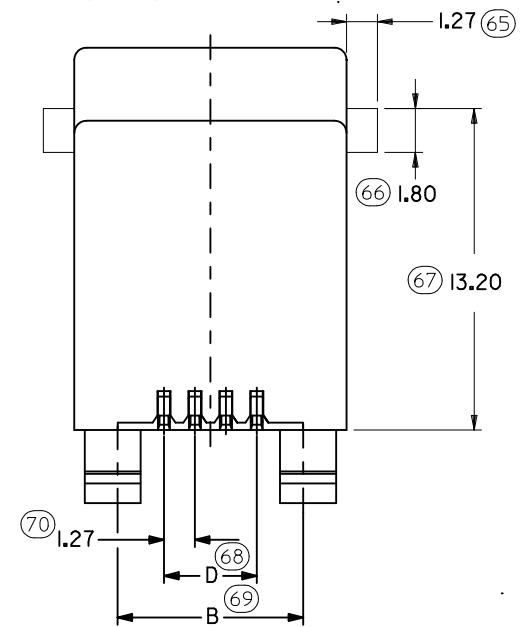
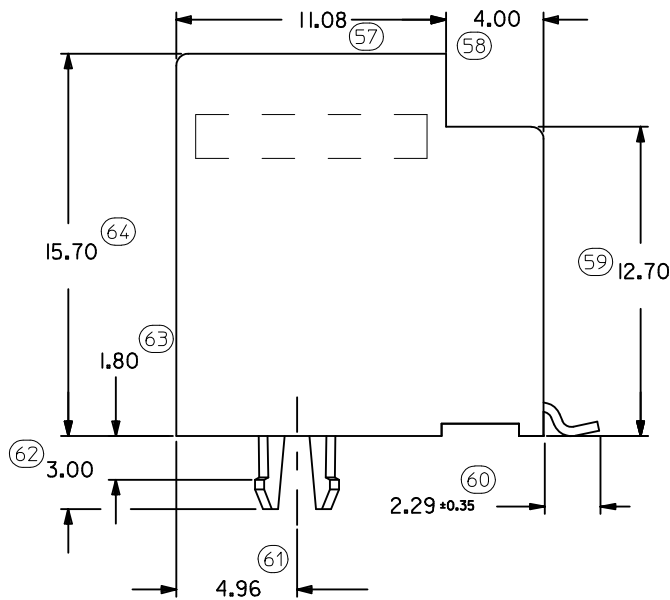
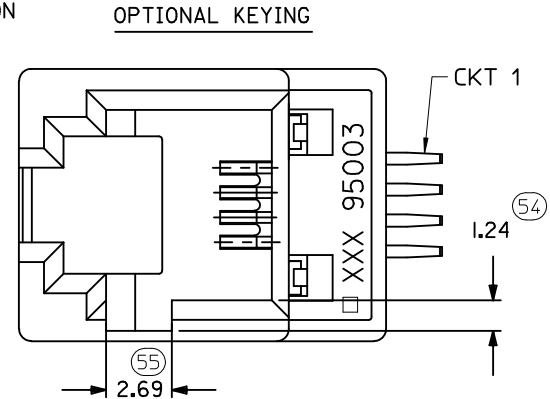
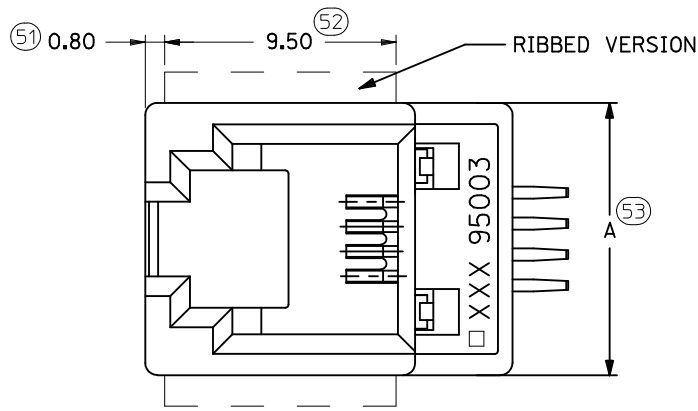
**1- MATERIAL:**

- HOUSING: LCP FIBER GLASS FILLED UL 94-V0  
COLOR BLACK
- 2-APPLICATION SPECIFICATION: AS-85513-001 (SMT)
- 3- SEE OTHER NOTES SHEET 1.
- 4- COPLANARITY OF SIGNAL TAILS 0.1mm MAX  
RELEVANT TO EACH OTHER.

INSPECTION NUMBERS USED: 51 - 100  
LAST INSPECTION NUMBER: 70



**SHORT VERSION**



DIM.	TYPE	POS. 6		POS. 8
		4 CKTS.	4 CKTS.	8 CKTS.
A		11.18	13.21	15.24
B		7.62	10.16	11.43
D		3.81	3.81	8.89

REMOVED INCHES  
EC NO: E2012-0079  
DRAWN: JOCNNOR 2011/03/04  
CHKD:  
APPR: EFOLAN 2011/09/28

QUALITY SYMBOLS  
▽=0  
∇=0

GENERAL TOLERANCES (UNLESS SPECIFIED)

	mm	INCH
4 PLACES	± ---	± ---
3 PLACES	± ---	± ---
2 PLACES	± 0.15	± ---
1 PLACE	± 0.25	± ---
ANGULAR ± .5 °		

DRAFT WHERE APPLICABLE  
MUST REMAIN  
WITHIN DIMENSIONS

DIMENSION STYLE  
**MM ONLY**

DRAWN BY	DATE
TMARTIN	2005/06/19
CHECKED BY	DATE
FCARABETTA	2005/06/19
APPROVED BY	DATE
KNOLLER	2005/06/19

SCALE 5:1  
DESIGN UNITS METRIC  
THIRD ANGLE PROJECTION

**LOW PROFILE T/E JACK (SMT VERSION)**

**MOLEX INCORPORATED**

MATERIAL NO. SEE SHT. 4, 5  
DOCUMENT NO. SD-95503-003  
SHEET NO. 2 OF 5

THIS DRAWING CONTAINS INFORMATION THAT IS PROPRIETARY TO MOLEX INCORPORATED AND SHOULD NOT BE USED WITHOUT WRITTEN PERMISSION

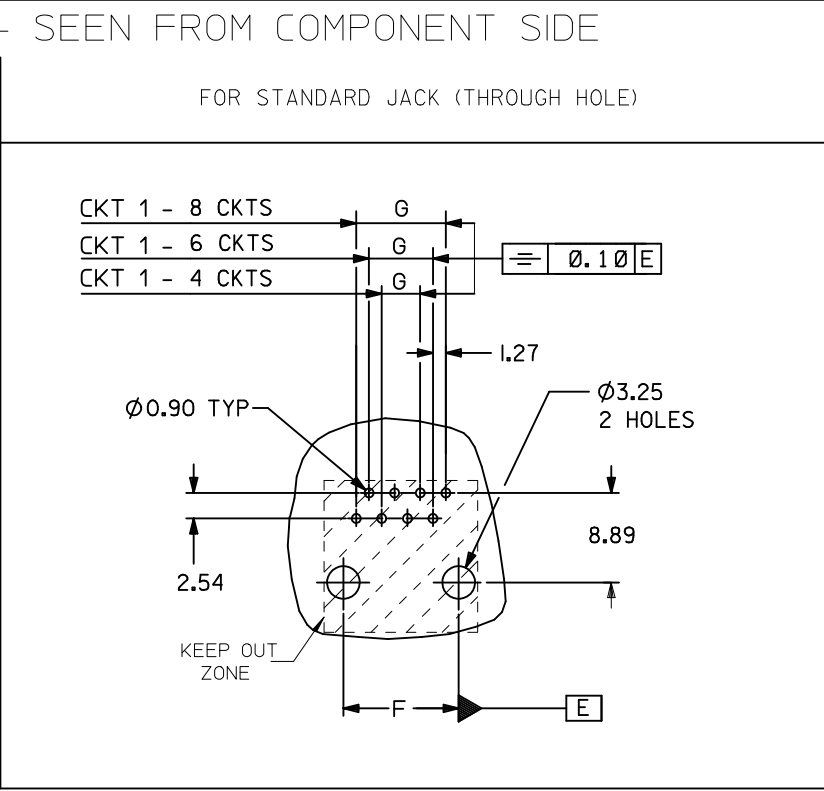
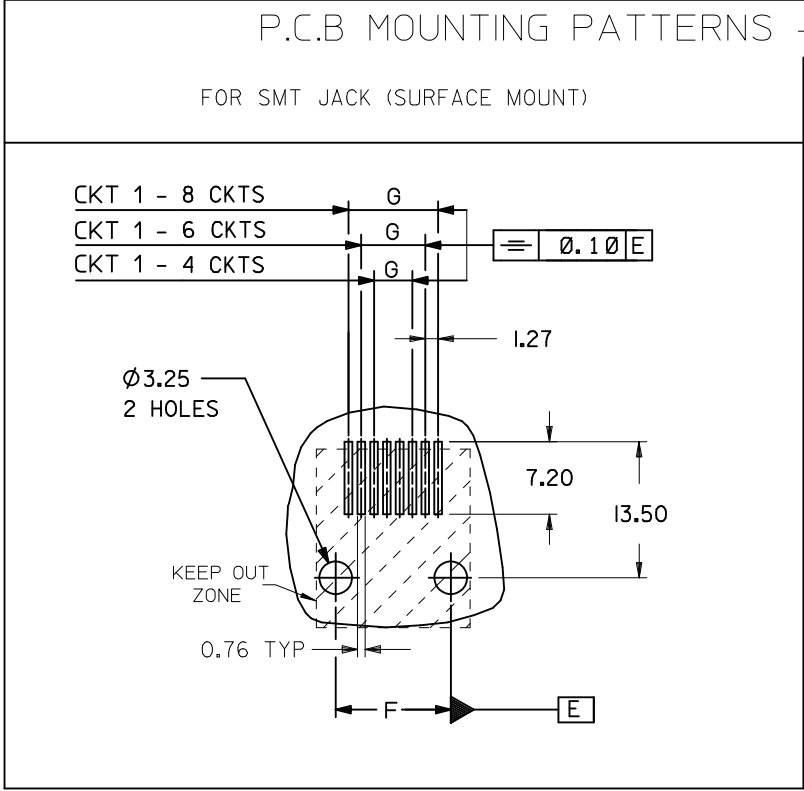
9 8 7 6 5 4 3 2 1

TYPE DIM.	POS. 4	POS. 6		POS. 8
	4 CKTS.	4 CKTS.	6 CKTS.	8 CKTS.
F ±0.05	7.62	10.16	10.16	11.43
G ±0.05	3.81	3.81	6.35	8.89

P.C.B MOUNTING PATTERNS - SEEN FROM COMPONENT SIDE

FOR SMT JACK (SURFACE MOUNT)

FOR STANDARD JACK (THROUGH HOLE)



NOTES:

ALL DIMENSIONS REF DIMENSIONS

REMOVED INCHES EC NO: E2012-0079 DRWN: JCONNOR 2011/03/04 CHKD: APPR: EFOLAN 2011/09/28	QUALITY SYMBOLS	GENERAL TOLERANCES (UNLESS SPECIFIED)	DIMENSION STYLE	SCALE	DESIGN UNITS	THIRD ANGLE PROJECTION	
	▽=0 □=0	mm INCH 4 PLACES ± --- ± --- 3 PLACES ± --- ± --- 2 PLACES ± 0.15 ± --- 1 PLACE ± 0.25 ± --- ANGULAR ± .5 °	MM ONLY	1:1	METRIC		
		DRAFT WHERE APPLICABLE MUST REMAIN WITHIN DIMENSIONS	DRAWN BY DATE	TITLE			
			TMARTIN 2005/06/15	LOW PROFILE T/E JACK			
			CHECKED BY DATE	MOLEX INCORPORATED			
			FCARABETTA 2005/06/15	DOCUMENT NO.			
			APPROVED BY DATE	SD-95503-003			
			KNOLLER 2005/06/15	SHEET NO.			
			MATERIAL NO.	3 OF 5			
			SEE SHT. 4, 5	THIS DRAWING CONTAINS INFORMATION THAT IS PROPRIETARY TO MOLEX INCORPORATED AND SHOULD NOT BE USED WITHOUT WRITTEN PERMISSION			

TUBE PACKAGING, SEE PACKAGING SPEC. PK 95003  
SHEET 2

HOUSING SIZE	LOADED CONTACTS
4	4
6	4
6	6
8	8

PART NO FOR JACK ASSEMBLY S.M.T. STANDARD VERSION							
LCP FIBER GLASS FILLED 94V0, COLOR BLACK.							
NO KEY	TOOLED	KEY	TOOLED	NO KEY	TOOLED		TOOLED
NO RIB	TOOLED	NO RIB	TOOLED	RIB	TOOLED		TOOLED
95503-6451	X						
95503-6651	X						
95503-6671	X						
95503-6891	X			95503-6887	X		

PART NO FOR JACK ASSEMBLY S.M.T. SHORT VERSION							
LCP FIBER GLASS FILLED 94V0, COLOR BLACK.							
NO KEY	TOOLED	KEY	TOOLED	NO KEY	TOOLED		TOOLED
NO RIB	TOOLED	NO RIB	TOOLED	RIB	TOOLED		TOOLED
95503-6894	X						

TOOLED	X
NOT TOOLED	

NOTES:  
PLATING: SEE SHEET ONE

<b>ADDED OPTIONS</b> EC NO: IPG2012-0589 DRW:DBR/MS 2012/03/29 CHKD:MSH/AHAN 2012/03/30 APPR:EFOLAN 2012/06/28	QUALITY SYMBOLS ▽=0 ◁=0	GENERAL TOLERANCES (UNLESS SPECIFIED) mm INCH 4 PLACES ± --- ± --- 3 PLACES ± --- ± --- 2 PLACES ± --- ± --- 1 PLACE ± --- ± --- ANGULAR ± ---°	DIMENSION STYLE <b>MM ONLY</b> DRAWN BY DATE TMARTIN 2005/06/16 CHECKED BY DATE FCARABETTA 2005/06/16 APPROVED BY DATE KNOLLER 2005/06/16	SCALE --- DESIGN UNITS METRIC THIRD ANGLE PROJECTION	TITLE LOW PROFILE T/E JACK SMT VERSION
	DRAFT WHERE APPLICABLE MUST REMAIN WITHIN DIMENSIONS		MATERIAL NO. <b>SEE CHART</b>	DOCUMENT NO. SD-95503-003	SHEET NO. 5 OF 5
	THIS DRAWING CONTAINS INFORMATION THAT IS PROPRIETARY TO MOLEX INCORPORATED AND SHOULD NOT BE USED WITHOUT WRITTEN PERMISSION				
	MOLEX INCORPORATED				