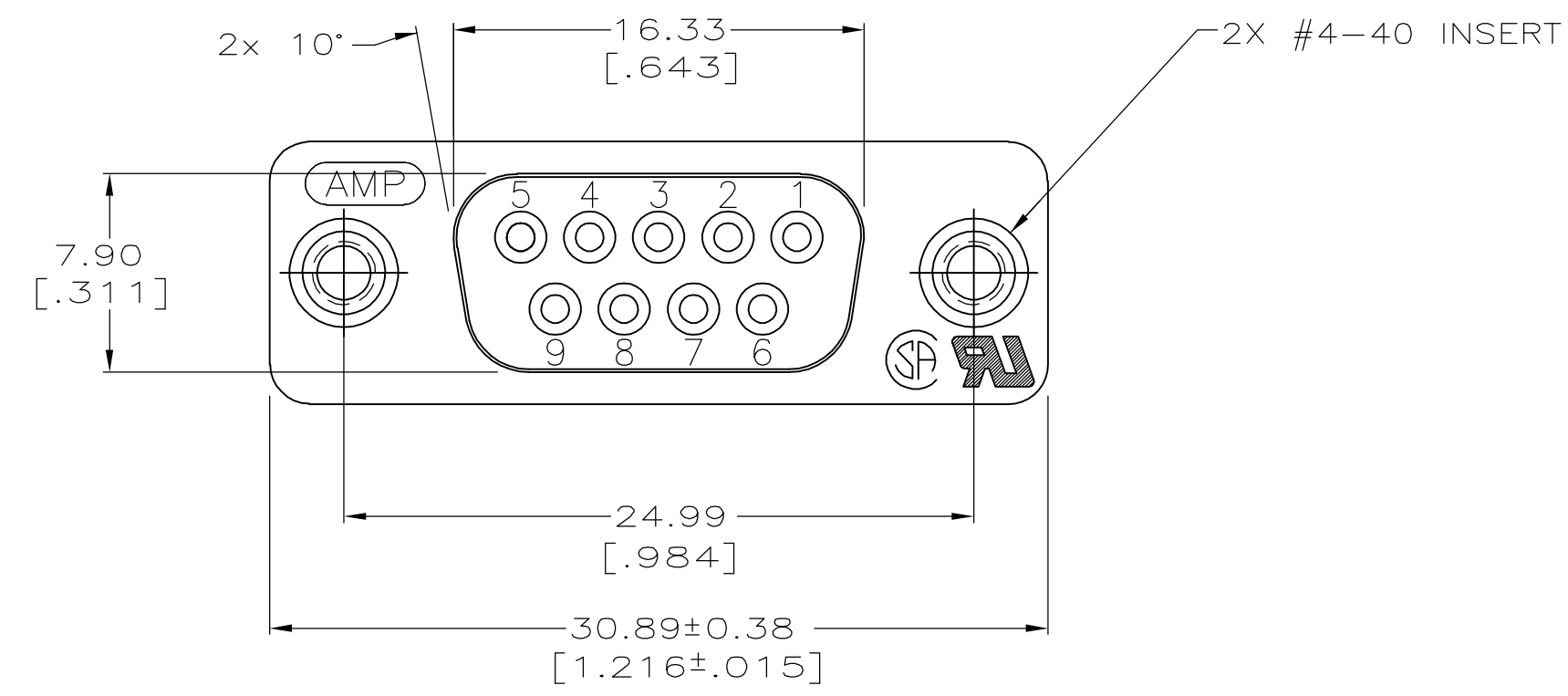
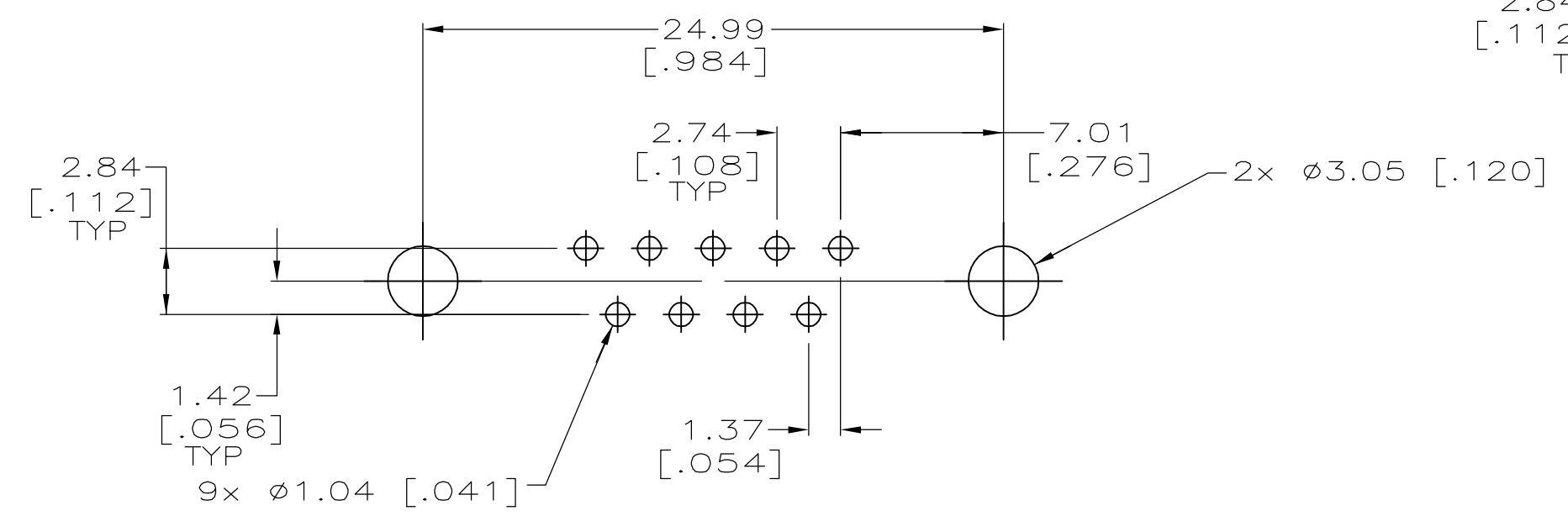
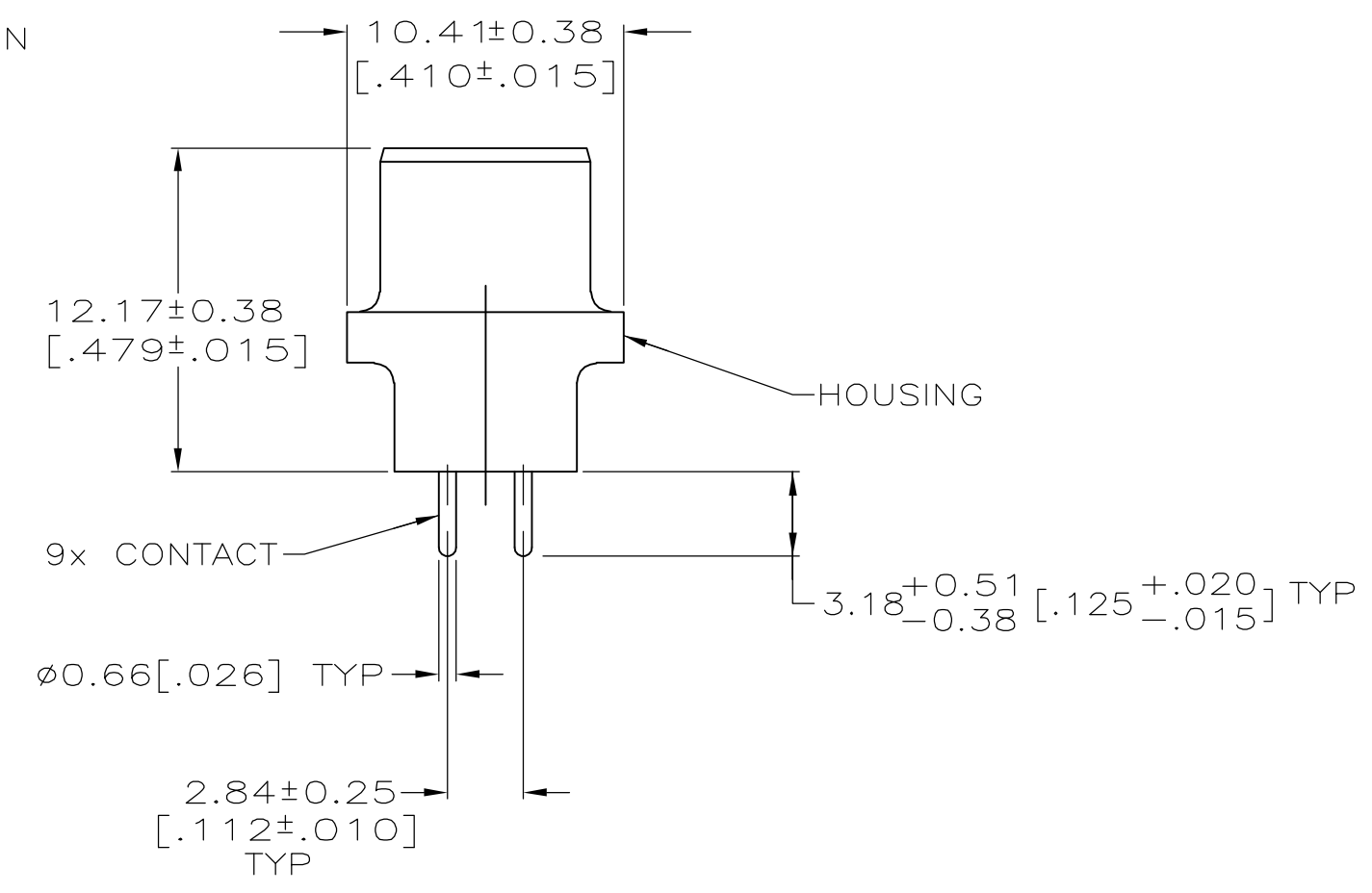
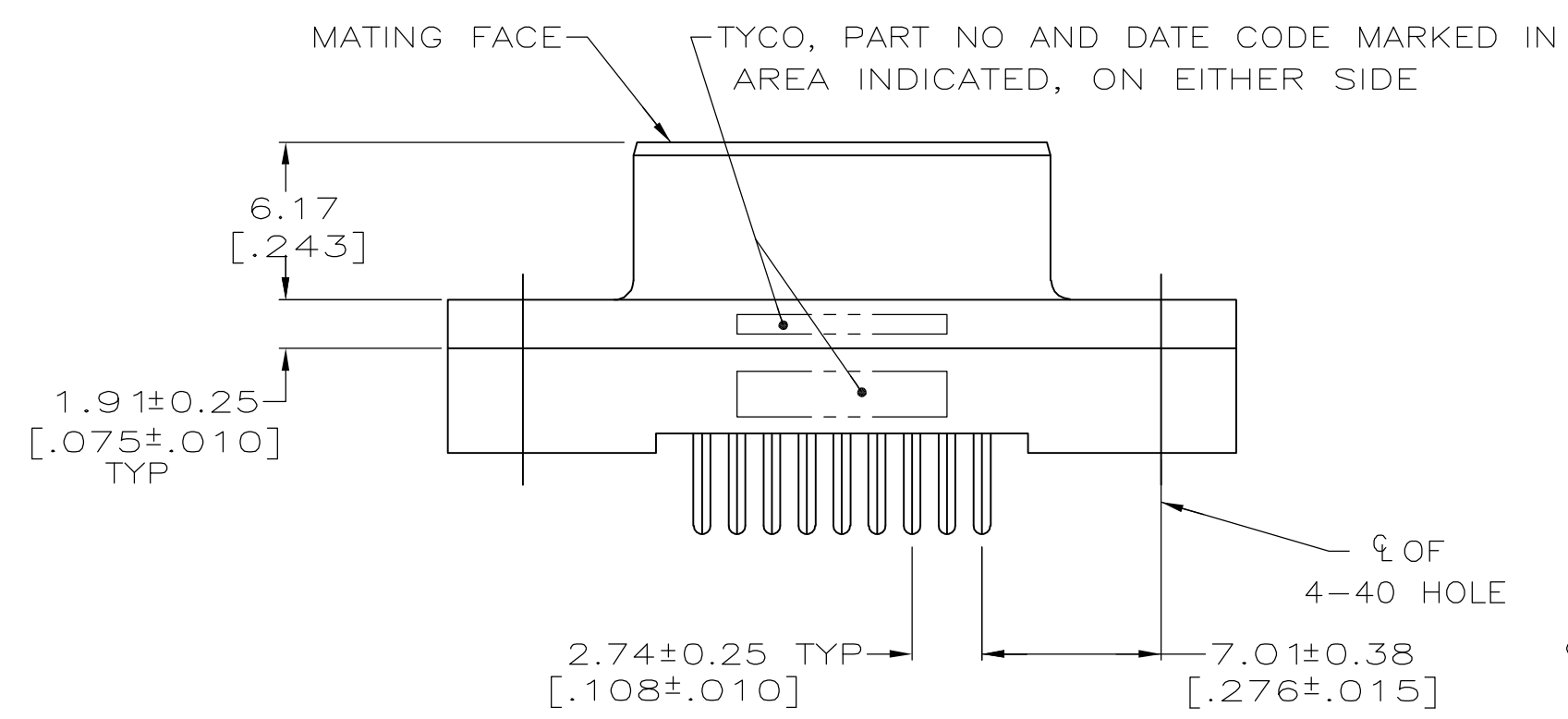


THIS DRAWING IS UNPUBLISHED. RELEASED FOR PUBLICATION
 © COPYRIGHT BY TYCO ELECTRONICS CORPORATION. ALL RIGHTS RESERVED.

LOC	DIST	REVISIONS			
P	LTR	DESCRIPTION	DATE	OWN	APVD
GP	00	0	RELEASED PER EC 0513-0087-05	12SEP05	GP JG



- ① HOUSING: BLACK POLYESTER, UL 94V-0 RATED; CONTACTS: PHOSPHOR BRONZE; INSERTS: BRASS.
- ② GOLD FLASH FOR A LENGTH OF 2.54[.100] MIN FROM MATING END, 2.54 μ m[.000100] MIN TIN ON OPPOSITE END, ALL OVER 1.27 μ m[.000050] MIN. NICKEL.
- ③ 0.76 μ m[.000030] MIN GOLD FOR A LENGTH OF 2.54[.100] MIN FROM MATING END, 2.54 μ m[.000100] MIN TIN ON OPPOSITE END, ALL OVER 1.27 μ m[.000050] MIN NICKEL.



RECOMMENDED PC BOARD MOUNTING DIMENSIONS

**COPYRIGHT 2005
 TYCO ELECTRONICS CORP
 ALL RIGHTS RESERVED**

③	5207841-4
②	5207841-3
CONTACT FINISH	PART NO

THIS DRAWING IS A CONTROLLED DOCUMENT.		DWN G.PETERS 12SEP05	Tyco Electronics Corporation Harrisburg, PA 17105-3608
DIMENSIONS: mm [INCHES]		CHK S.BOLASH 12SEP05	
TOLERANCES UNLESS OTHERWISE SPECIFIED:		APVD M.WALMSLEY 12SEP05	NAME
0 PLC ± -	1 PLC ± -	PRODUCT SPEC	108-40025
2 PLC ± 0.13 [0.005]	3 PLC ± -	APPLICATION SPEC	-
4 PLC ± ± 2°	ANGLES FINISH	SIZE	A2
MATERIAL	SEE TABLE	WEIGHT	-
CUSTOMER DRAWING		CAGE CODE	00779
SCALE		DRAWING NO	G-5207841
SHEET		RESTRICTED TO	-
1 OF 1		REV	0

Mouser Electronics

Authorized Distributor

Click to View Pricing, Inventory, Delivery & Lifecycle Information:

[TE Connectivity:](#)

[5207841-3](#)