

PART NAME: KNOB

SCALE: 1:1

DATE: 5/15/13

DR. BY: JAM



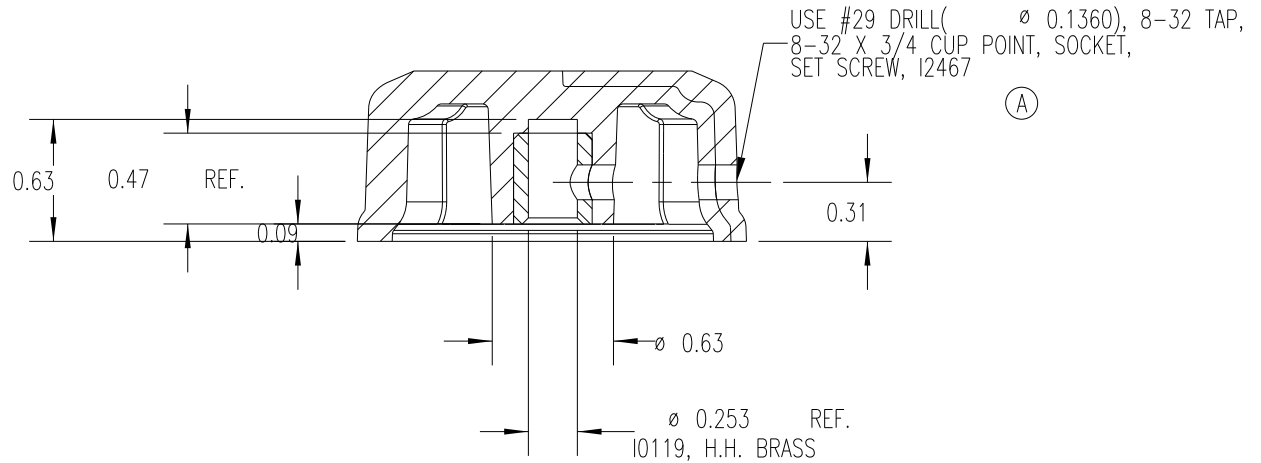
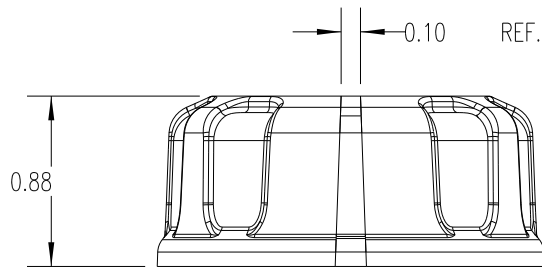
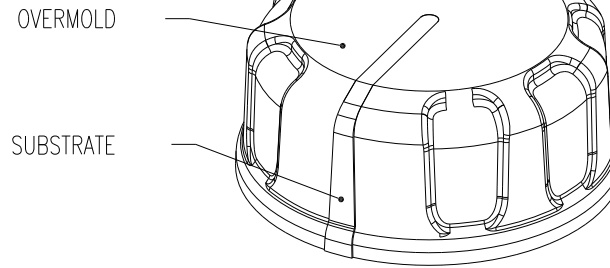
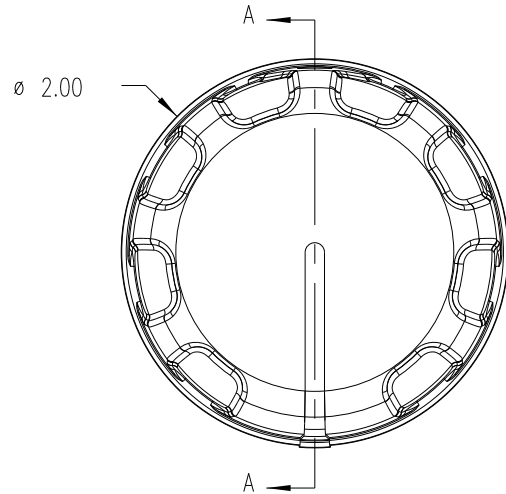
DESIGNERS & MANUFACTURERS  
OF KNOBS, HANDLES, CAPS &  
CUSTOM PLASTIC COMPONENTS

P/N 1236

THIS DRAWING IS THE PROPERTY OF DAVIES MOLDING COMPANY, IS SUBMITTED SOLELY AS A DESIGN OR ENGINEERING PROJECT.  
WE ACCEPT NO RESPONSIBILITY WHATSOEVER FOR THE PRACTICAL APPLICATION OF THE PIECES MADE TO THIS DESIGN.

BASE PART 1236-01

(A) SET SCREW 12467



SECTION A-A

MATERIAL: SUBSTRATE: POLYPROPYLENE (CLD)  
COLOR: WHITE (PC23083)

MATERIAL: OVERMOLD: TPE (TPE3)  
COLOR: BLACK (PC-301)

TOLERANCES: UNLESS OTHERWISE SPECIFIED	DO NOT SCALE DRAWING			
DECIMALS: X.XXX ± .005 X.XX ± .015	MM: X.XX ± 0.15MM X.X ± 0.4MM	A	WAS 10163	JAM 5/22/13
FRACTIONS ± 1/64	ANG. ± 1°	CHANGES		

# Mouser Electronics

Authorized Distributor

Click to View Pricing, Inventory, Delivery & Lifecycle Information:

[Davies Molding:](#)

[1236](#)