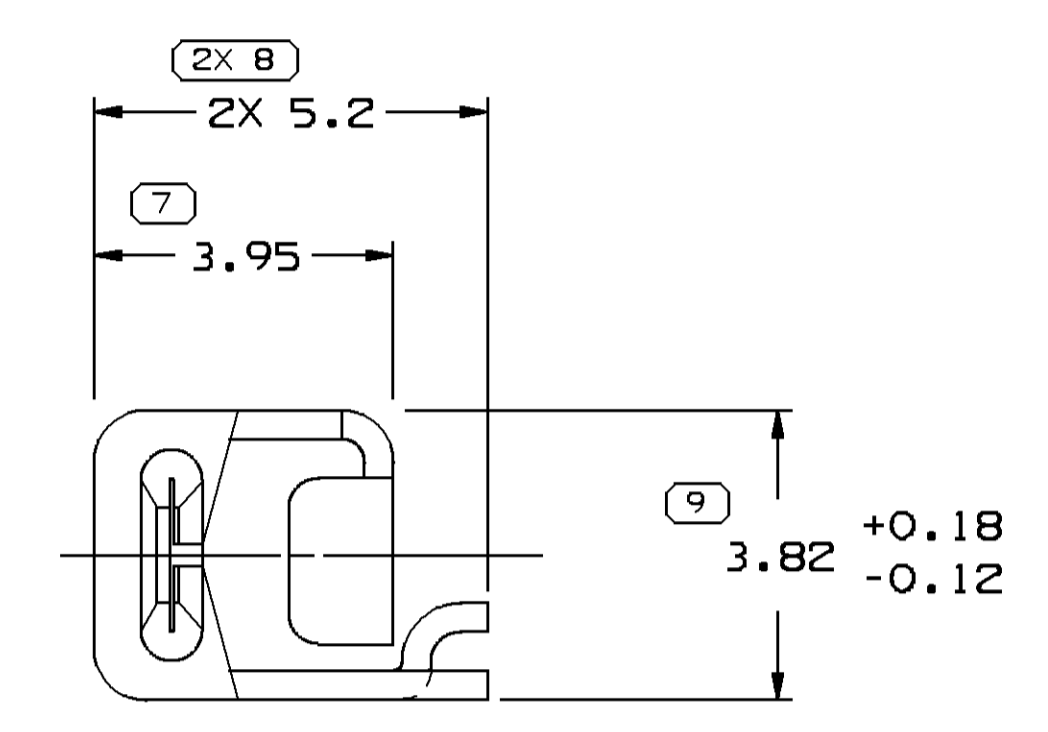
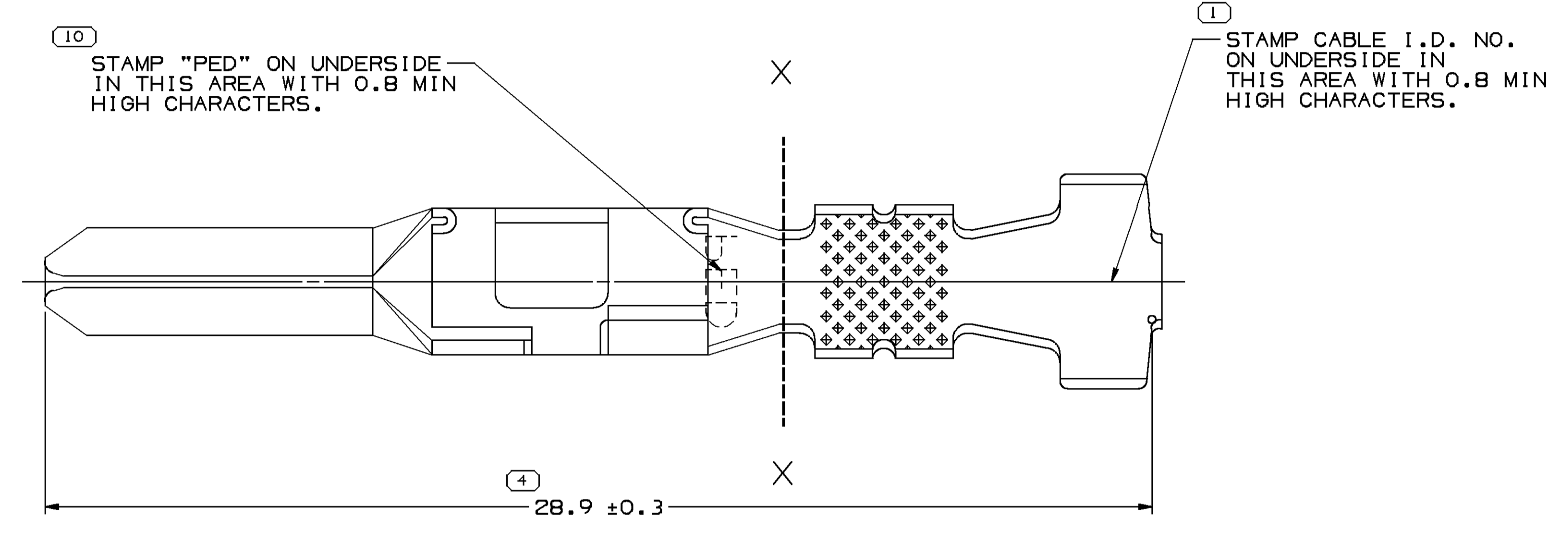


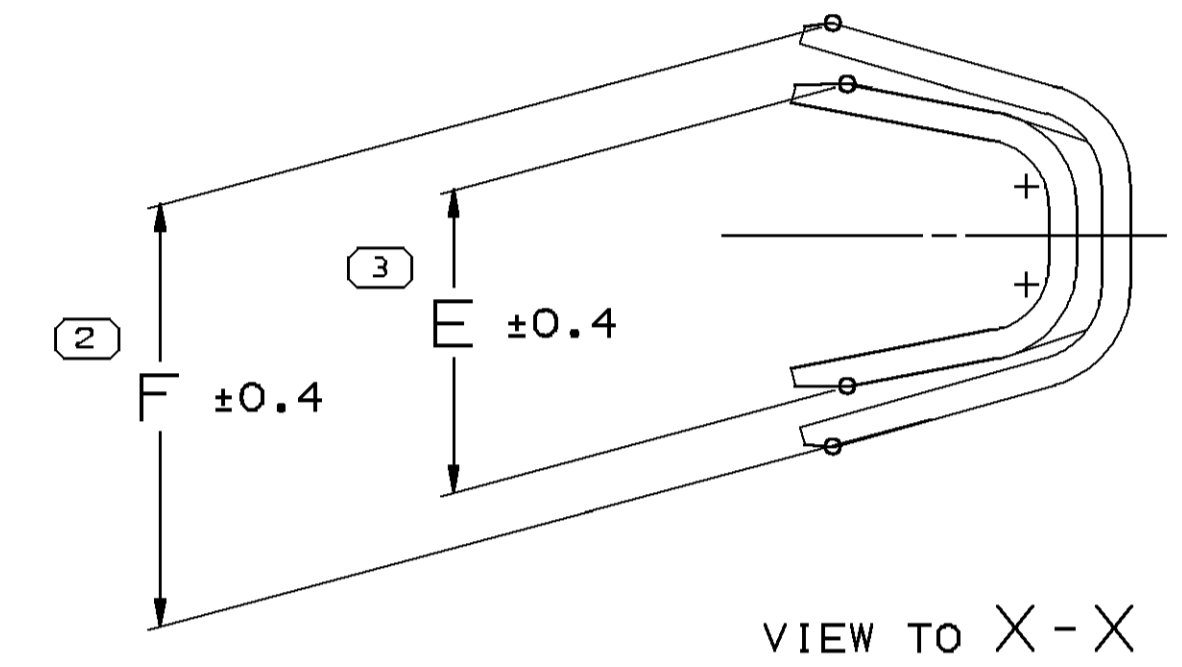
TYPE 102  
SAME AS TYPE 101  
EXCEPT AS SHOWN



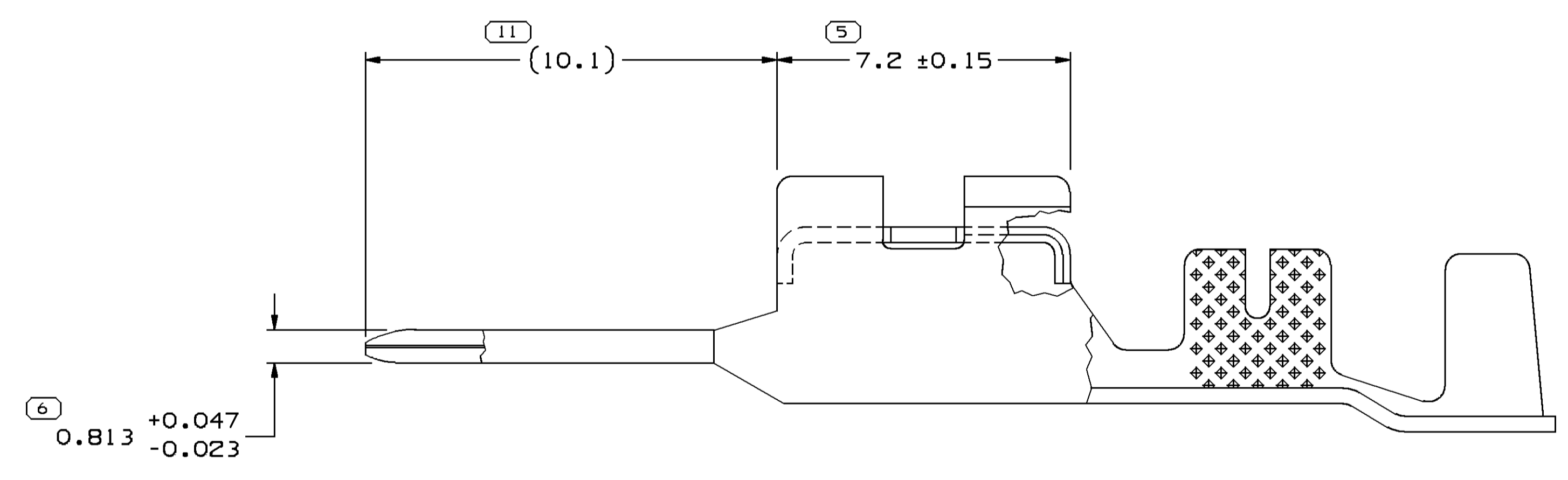
VIEW TO X-X



TYPE 101



VIEW TO X-X



NOTES

- UNLESS OTHERWISE SPECIFIED AND/OR INDICATED: DIMENSIONS ARE TO FACE OF VIEW SHOWN AND AUTOMATICALLY ROUNDED BY COMPUTER FOR INSPECTION (SEE MATH MODEL FOR PRECISE DIMENSIONS). FOR ALL OTHER DIMENSIONS NOT SHOWN BUT REQUIRED FOR TOOL BUILD, SEE MATH MODEL FOR PRECISE TOOL PATH DATA.
- MATING TERMINAL 12084995 OR EQUIVALENT.
- \* DENOTES DIMENSIONS MADE AT CUT-OFF AND CRIMP DIE.
- COIN ON INSULATION WING NOT REQUIRED WHEN MATERIAL THICKNESS IS 0.57 OR LESS.
- MAXIMUM CURRENT CAPACITY IS 25 AMPS.
- FOR SOLDERABILITY REQUIREMENTS SEE ESO-1503.

PART NO	REV	N/P	STATUS	MAT'L SPEC	MAT'L SIZE	SIZE (MM <sup>2</sup> )	CABLE DIA	ID	TYPE	E	F
12092349	C4	-	-	M3617465 METL NONFERROUS C42500 1/2 HD	0.381 X 36.12	TWO 0.35	1.69-1.47	222	102	2.7	5.2
12092348	C4	-	-	M3617465 METL NONFERROUS C42500 1/2 HD	0.381 X 36.12	TWO 0.5	2.19-1.69	220	102	3.5	5.8
12092347	C5	-	-	M3617465 METL NONFERROUS C42500 1/2 HD	0.381 X 36.12	TWO 1-0.5	2.42-1.96	217	101	4.2	6.7
12092346	C4	-	-	M3617465 METL NONFERROUS C42500 1/2 HD	0.381 X 36.12	0.5-0.35	2.19-1.47	21	102	2.4	3.8
12092345	C4	-	-	M3617465 METL NONFERROUS C42500 1/2 HD	0.381 X 36.12	1-0.8	2.64-1.96	17	102	2.8	4.4
12092344	C4	-	-	M3617465 METL NONFERROUS C42500 1/2 HD	0.381 X 36.12	3-2	3.65-2.5	13	101	4	5.6

SYMBOL DEFINITION		TOTAL NO OF INSPECTIONS REQUIRED	MISSING SYMBOL NUMBER
A DIMENSION WITHOUT AN INSPECTION REPORT SYMBOL DOES NOT REQUIRE INSPECTION. IT MAY BE CONTROLLED ON THE INDIVIDUAL COMPONENT DRAWING.		12	
	LAST NO. USED	11	

DWS STATUS				REVISION HISTORY		AUTH	DR	APVD	APVD
DATE	STG	REV	N/P	CHG	ZONE				
16JAN03	R	01	-	-		REDRAWN TO PD; ALL PARTS - UPDATED PDM ATTRIBUTES	241764	LOA	FKV JMP
14OCT03	R	02	-	-		12092347 - UPDATED PDM ATTRIBUTES	247376	AMG	AMS JMP
21OCT03	R	03	-	-		ALL PARTS - UPDATED ECL COLUMN OF CHART	247759	FKV	FKV JMP
10MR05	R	04	-	-		ALL PARTS - REVISED CARRIER DETAILS	265565	ECB	AUG WTM
04AUI10	R	05	-	-		ALL PARTS - MATERIAL SPEC WAS M3607465	411505	AHY	JVM MMC

DWS TYPE		PART DRAWING	
STYLE	D		
VOLUME (OMP)	DISTR CODE		
UNLESS OTHERWISE SPECIFIED			
THIS DOCUMENT IS IN ACCORDANCE WITH ASME Y14.5M-1994 AS MODIFIED BY THE 2003 GLOBAL DIMENSIONING AND TOLERANCING HANDBOOK - 1997. ALL GEOMETRIC TOLERANCES AND RELATED DATUMS APPLY PER RULE #1 EXCEPT FOR AS MCI DOES NOT APPLY WHEN RELATIONSHIP BETWEEN FEATURES IS ESTABLISHED BY ORIENTATION OR LOCATION TOLERANCES. SEPARATE POSITION CALLOUTS MAY BE SAVED SEPARATELY, IRRESPECTIVE OF DATUM REFERENCE.			
ALL DIMENSIONS ARE IN MILLIMETERS			
DIMENSIONAL RANGE (MM)		CHART CD	
FROM	0	> 12	
TO	12	> 12	
TOLERANCE UNLESS OTHERWISE SPECIFIED		USE MATH DATA	
±0.1	±0.2		
ANGULAR TOLERANCE ±2°			

<b>DELPHI</b>	
DELPHI PACKARD ELECTRICAL/ELECTRONIC ARCHITECTURE WARREN, OH	
DR	DATE
APV01 T. NADASKY	01MRB9
APV02 R. J. BLASKO	31MRB9
APV03 R. PETROSKY	31MRB9
APV04	
APV05	
SUBSTANCES OF CONCERN AND RECYCLED CONTENT PER DELPHI 10949901	
MATERIAL SEE CHART	
DRAWING NAME	
TAXI TERM M ACT 280	
DRAWING NUMBER	
12092343	
SIZE	SCALE
A0	10:1
FRAME NO	SHEET NO
1	1 OF 1
STG	REV
R	05

# Mouser Electronics

Authorized Distributor

Click to View Pricing, Inventory, Delivery & Lifecycle Information:

[Aptiv:](#)

[12092345-L](#) [12092344-L](#)