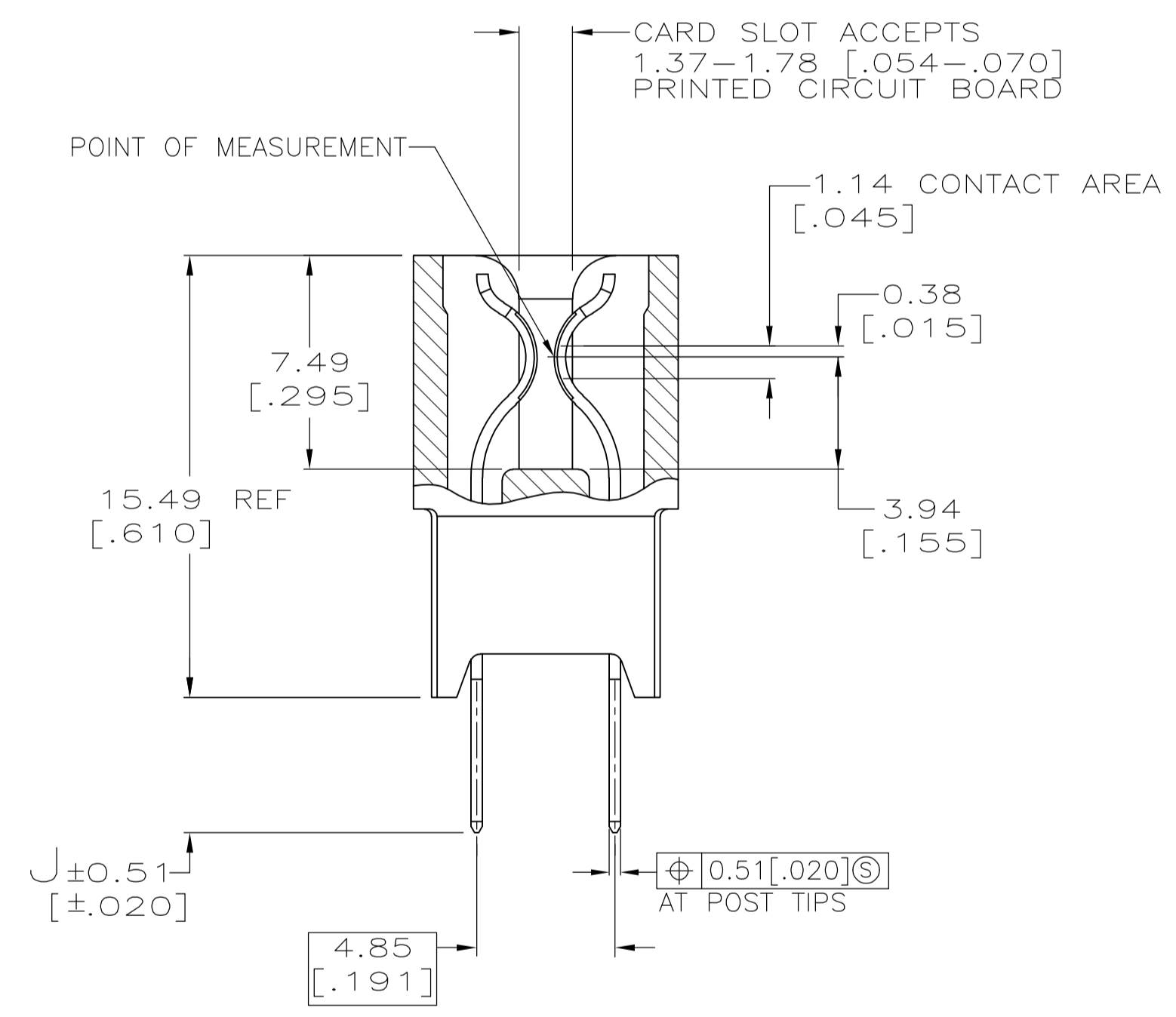
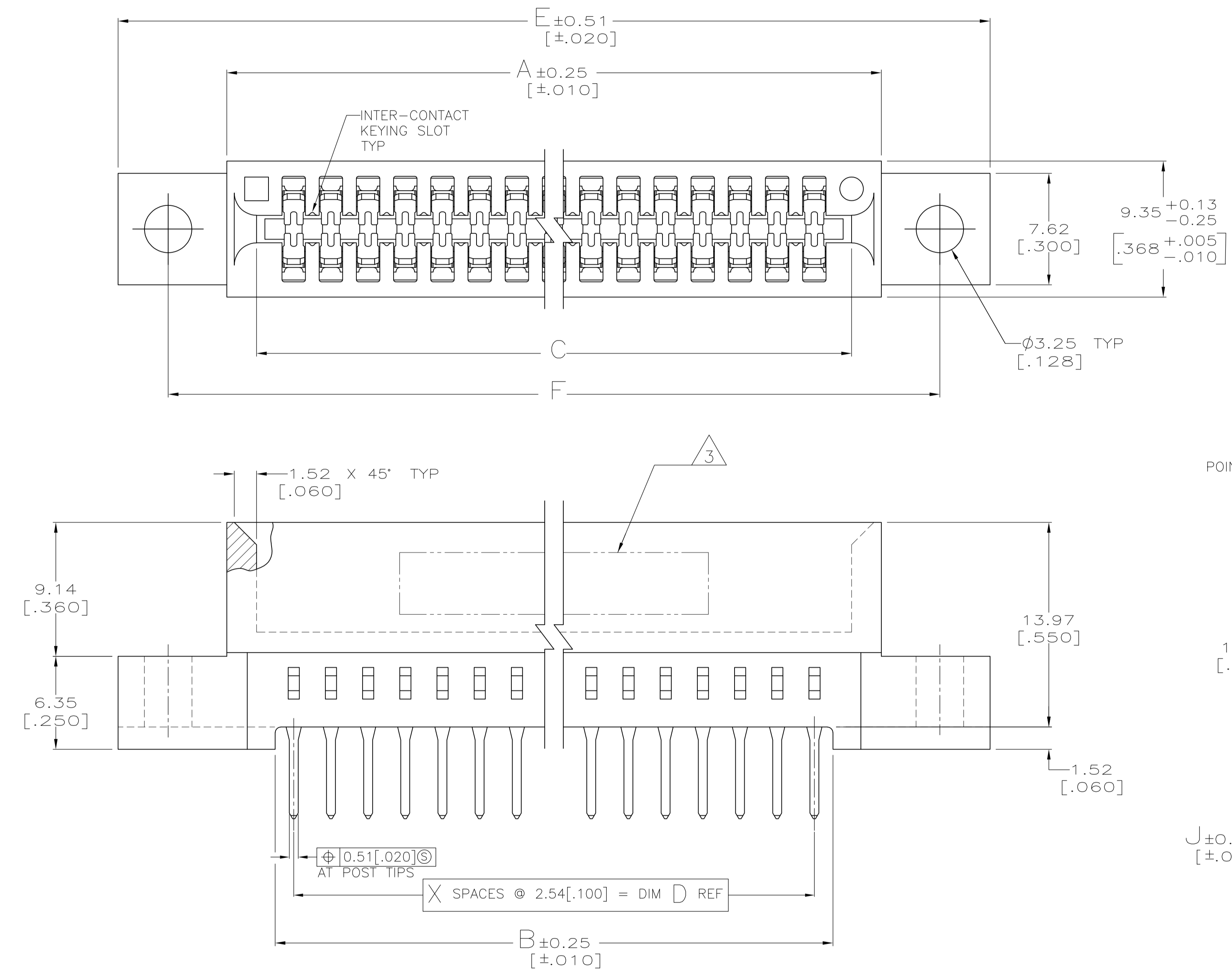


- MATERIAL:
HOUSING: GLASS FILLED POLYESTER; COLOR: BLACK.
CONTACT: PHOS BRONZE
- FINISH:
0.00076[.000030] MIN GOLD PLATE IN CONTACT AREA,
0.00254[.000100] MIN MATTE TIN ON SOLDER POSTS, ALL
OVER 0.00127[.000050] MIN NICKEL
- AMP LOGO, TE PART NUMBER, DATE CODE AND CSA LOGO INK
STAMPED WHITE (HOT STAMPED OR LAZER PRINTED) IN THE APPROXIMATE
AREA SHOWN, EITHER SIDE PERMISSABLE, WHEN HOUSING SIZE PERMITS
- RECOMMENDED PCB FINISHED HOLE DIAMETER = 1.02±0.08
[.040±.003]



OBSOLETE	4-5530841-3
OBSOLETE	2-5530841-5
OBSOLETE	5530841-3

PART NUMBER

4.75 [.187]	90.80 [3.575]	97.41 [3.835]	73.66 [2.900]	78.74 [3.100]	76.20 [3.000]	82.80 [3.260]	29	30	1-5530841-8
3.18 [.125]	141.60 [5.575]	148.21 [5.835]	124.46 [4.900]	129.54 [5.100]	127.00 [5.000]	133.60 [5.260]	49	50	1-5530841-1
3.18 [.125]	78.10 [3.075]	84.71 [3.335]	60.96 [2.400]	66.04 [2.600]	63.50 [2.500]	70.10 [2.760]	24	25	5530841-5
3.18 [.125]	52.70 [2.075]	59.31 [2.335]	35.56 [1.400]	40.64 [1.600]	38.10 [1.500]	44.70 [1.760]	14	15	5530841-2
J	F	E	D	C	B	A	X	NO OF POSN	PART NUMBER

THIS DRAWING IS A CONTROLLED DOCUMENT.

DIMENSIONS: mm	TOLERANCES UNLESS OTHERWISE SPECIFIED:	DIN AWF/L.A.MAYER 28FEB2007	AWF/L.A.MAYER 28FEB2007	AWF/L.A.MAYER 28FEB2007	AWF/L.A.MAYER 28FEB2007	AWF/L.A.MAYER 28FEB2007	AWF/L.A.MAYER 28FEB2007	AWF/L.A.MAYER 28FEB2007	AWF/L.A.MAYER 28FEB2007
0 PLC ± -	1 PLC ± -	2 PLC ± 0.13 [.005]	3 PLC ± -	4 PLC ± -	ANGLES ± °	FRANTUM 28FEB2007	FRANTUM 28FEB2007	FRANTUM 28FEB2007	FRANTUM 28FEB2007
MATERIAL SEE NOTE 1	FINISH SEE NOTE 2	SIZE 114-13018	WEIGHT -	SCALE 5:1	SHEET 1 OF 1	REV B	RESTRICTED TO	AWF/L.A.MAYER 28FEB2007	AWF/L.A.MAYER 28FEB2007

Customer Drawing

Mouser Electronics

Authorized Distributor

Click to View Pricing, Inventory, Delivery & Lifecycle Information:

[TE Connectivity:](#)

[1-5530841-1](#)