

AVX has developed the 1-Piece bottom entry card edge connector to allow a perpendicular PCB to be mated to a top mounted main FR4 or metal core PCB from the bottom side. The most popular application on the market is in the LED bulb market where the FR4 driver card needs to mate to the top pads on a metal core LED board. A unique design feature of the AVX connector is that it allows for both a 1.6mm and 0.8mm mating PCB thickness, giving designers flexibility in their PCB layout and selection. The additional "Anti-Touch" cap can be ordered pre-assembled onto the connector or separately. This component protects an individual for electrical contact if the lens comes off or the bulb is broken. This is a UL mandated safety requirement.

The connectors offer a range of 2 positions to 6 positions in order to add additional functionality in the application design such as color control or specific control lines. The connector is UL rated with halogen free material and capable of operating temperatures up to 120°C.

APPLICATIONS

- Provides perpendicular, bottom entry PCB mating to a top mounted card edge contact based connector
- Reference application notes 201-01-137
- Reference Product Specification 201-01-132UL

FEATURES AND BENEFITS

- Available 2p-6p for added design functionality and color control in bulb applications
- Low profile top mounted design does not interfere with LED's
- Gold plated BeCu contact system for high reliability in harsh environments
- Accepts both 0.8mm and 1.6mm PCB's for added design options

ELECTRICAL

- Current Rating: 2 Amps / Contact
- Voltage Rating: 300 VAC

ENVIRONMENTAL

- Operating Temperature: -40°C to +120°C

MECHANICAL

- Insulator Material: Halogen Free Nylon UL94VO
- Contact Material: Beryllium Copper
- Plating: Gold / Tin over Nickel
- Durability 10 Cycles

HOW TO ORDER

00
Prefix

9159
Series

00X
Number of Ways

| Code | No of Ways | Details |
|------|------------|---------|
| 002 | 2 | Page 83 |
| 003 | 3 | Page 84 |
| 004 | 4 | Page 85 |
| 005 | 5 | Page 86 |
| 006 | 6 | Page 87 |

50X
Single Part PCB Strip Connector

501 = Through The Board, Edge Card, No Cap
502 = Through The Board, Edge Card, Cap Fitted

9
Insulator Color

| Code | Color | Application |
|------|-------|----------------------|
| 9 | White | UL Approved Standard |

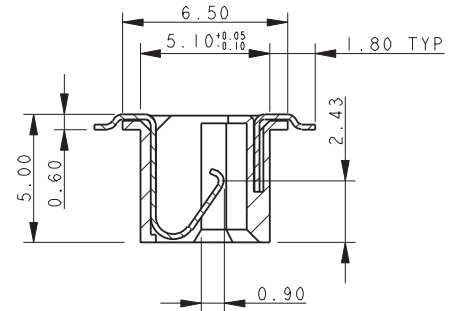
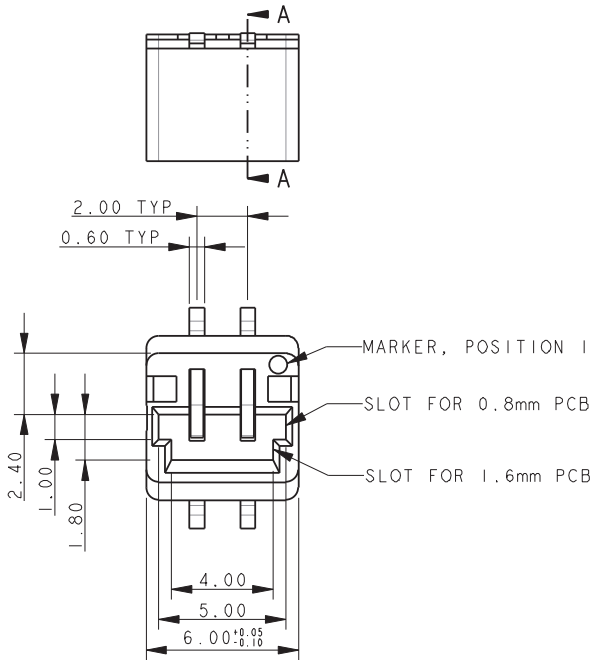
06
Plating Option

06 = Gold Plating on Nose with Tin on Tails

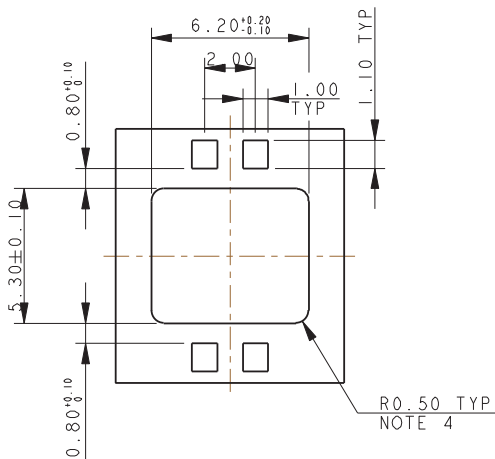
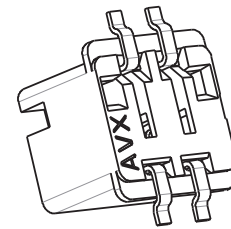
Certification: UL File #E90723



2 WAY THROUGH THE BOARD MATING EDGE CARD CONNECTOR



SECTION A-A

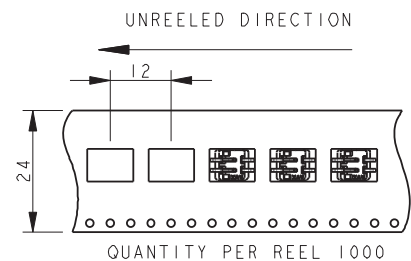
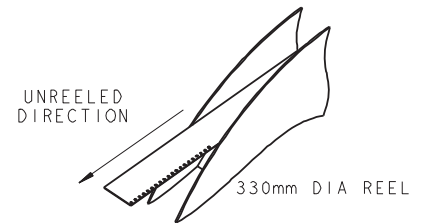


MOUNTING PCB
(TOP SIDE)

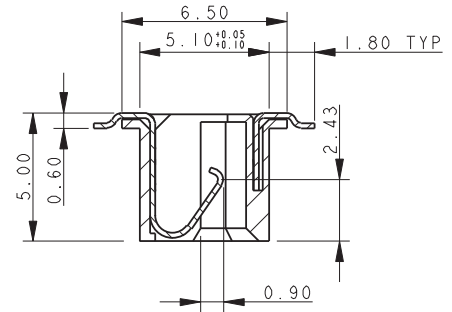
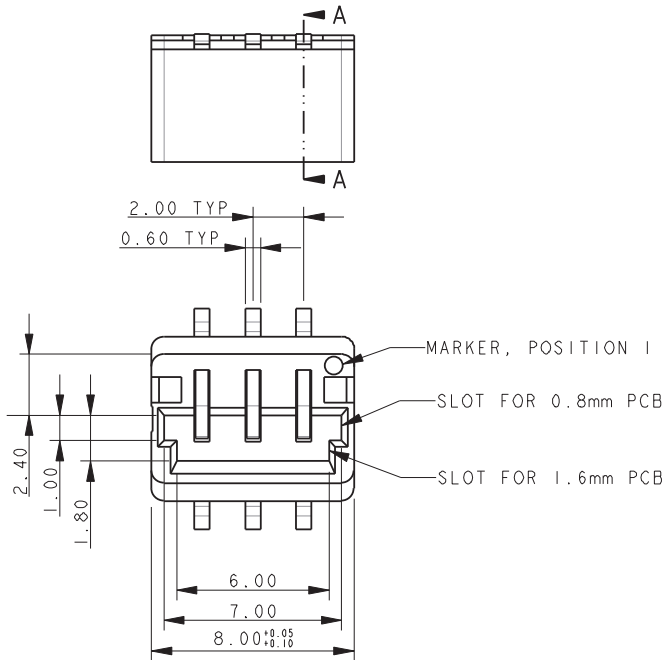
NOTES:

1. THROUGH THE BOARD 2 WAY EDGE CARD CONNECTOR. FOR FURTHER DETAILS REFER TO PRODUCT SPECIFICATION 201-01-136 AND APPLICATION NOTES 201-01-137.
2. FOR MATING PCB EITHER 0.8MM OR 1.6MM THICK. REFER TO PAGE 88 FOR MATING PCB DETAILS.
3. CONNECTOR TOP MOUNTING ON PCB.
4. UP TO 0.5MM RAD TO MATCH CONNECTOR PROFILE.
5. ALL DIMENSIONS ±0.20 UNLESS TOLERANCE SPECIFIED.
6. INSULATOR: PAR4T, GLASS FILLED, HALOGEN FREE, UL94 V-0, COLOR SEE PAGE 82.
7. CONTACT: COPPER ALLOW, NICKEL PLATED WITH GOLD FLASH ON NOSE AND TIN ON TAILS.
8. BRACKET: COPPER ALLOY, PLATING TIN OVER NICKEL.
9. PACKING IN TAPE AND REEL, 1000 PIECES PER REEL.
10. CONTACT TAILS COPLANARITY WITHIN 0.10.
11. REFER TO PAGE 91 FOR MATCHING PROTECTING CAP.
12. UL PRODUCT REFERENCE E90723 (US AND CANADA).

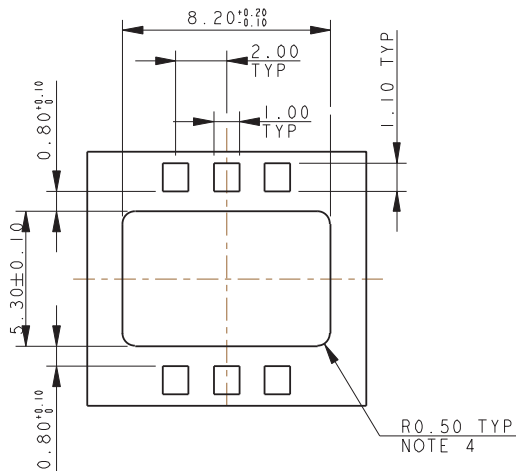
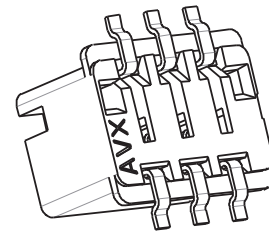
PACKING DETAILS



3 WAY THROUGH THE BOARD MATING EDGE CARD CONNECTOR

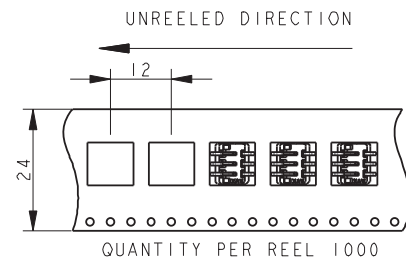
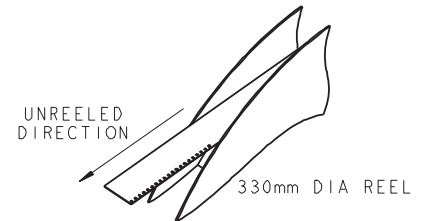


SECTION A-A



**MOUNTING PCB
(TOP SIDE)**

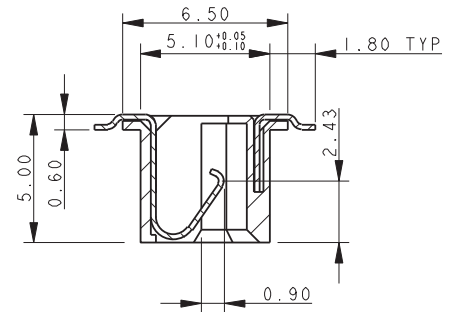
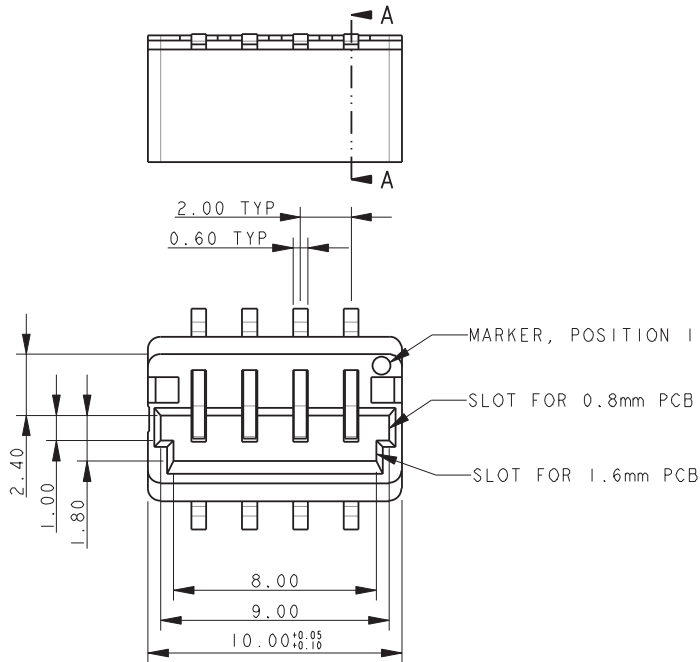
PACKING DETAILS



NOTES:

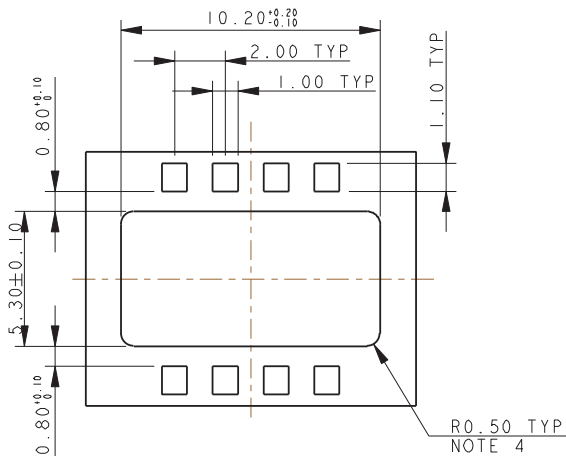
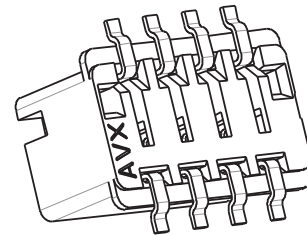
1. THROUGH THE BOARD 3 WAY EDGE CARD CONNECTOR. FOR FURTHER DETAILS REFER TO PRODUCT SPECIFICATION 201-01-136 AND APPLICATION NOTES 201-01-137.
2. FOR MATING PCB EITHER 0.8MM OR 1.6MM THICK. REFER TO PAGE 88 FOR MATING PCB DETAILS.
3. CONNECTOR TOP MOUNTING ON PCB.
4. UP TO 0.5MM RAD TO MATCH CONNECTOR PROFILE.
5. ALL DIMENSIONS ± 0.20 UNLESS TOLERANCE SPECIFIED.
6. INSULATOR: PAR4T, GLASS FILLED, HALOGEN FREE, UL94 V-0, COLOR SEE PAGE 82.
7. CONTACT: COPPER ALLOW, NICKEL PLATED WITH GOLD FLASH ON NOSE AND TIN ON TAILS.
8. BRACKET: COPPER ALLOY, PLATING TIN OVER NICKEL.
9. PACKING IN TAPE AND REEL, 1000 PIECES PER REEL.
10. CONTACT TAILS COPLINARITY WITHIN 0.10.
11. REFER TO PAGE 91 FOR MATCHING PROTECTING CAP.
12. UL PRODUCT REFERENCE E90723 (US AND CANADA).

4 WAY THROUGH THE BOARD MATING EDGE CARD CONNECTOR



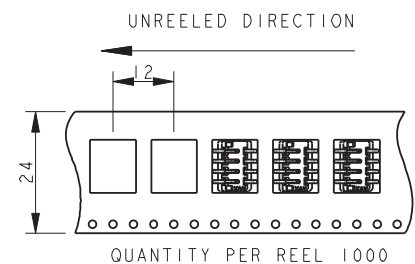
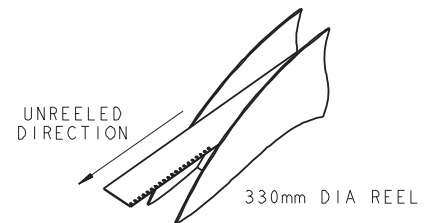
SECTION A-A

I
B
:B



MOUNTING PCB
(TOP SIDE)

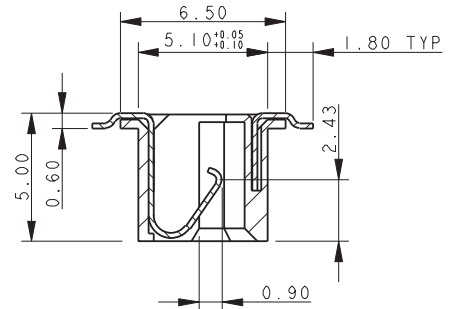
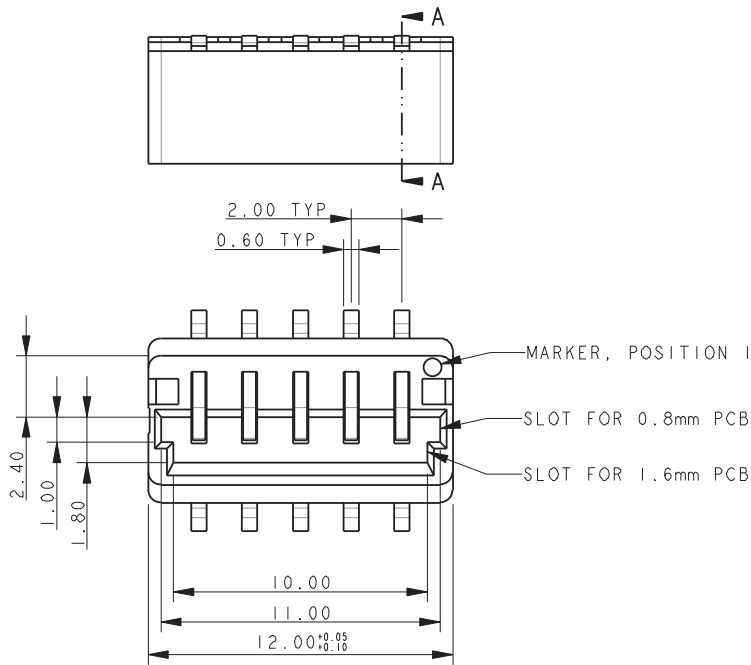
PACKING DETAILS



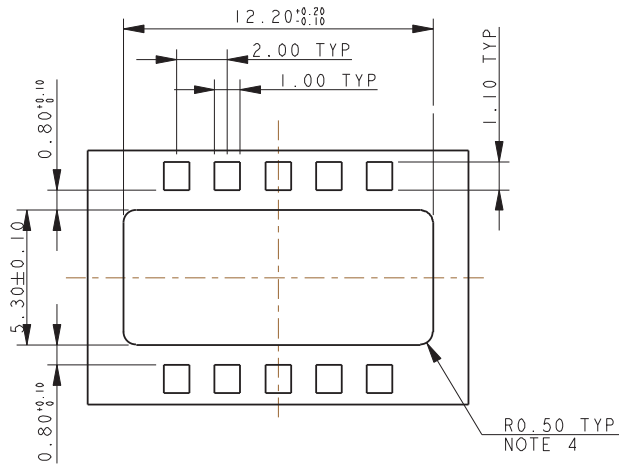
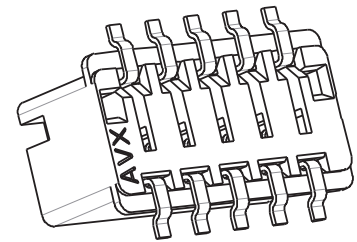
NOTES:

1. THROUGH THE BOARD 4 WAY EDGE CARD CONNECTOR. FOR FURTHER DETAILS REFER TO PRODUCT SPECIFICATION 201-01-136 AND APPLICATION NOTES 201-01-137.
2. FOR MATING PCB EITHER 0.8MM OR 1.6MM THICK. REFER TO PAGE 88 FOR MATING PCB DETAILS.
3. CONNECTOR TOP MOUNTING ON PCB.
4. UP TO 0.5MM RAD TO MATCH CONNECTOR PROFILE.
5. ALL DIMENSIONS ± 0.20 UNLESS TOLERANCE SPECIFIED.
6. INSULATOR: PAR4T, GLASS FILLED, HALOGEN FREE, UL94 V-0, COLOR SEE PAGE 82.
7. CONTACT: COPPER ALLOW, NICKEL PLATED WITH GOLD FLASH ON NOSE AND TIN ON TAILS.
8. BRACKET: COPPER ALLOY, PLATING TIN OVER NICKEL.
9. PACKING IN TAPE AND REEL, 1000 PIECES PER REEL.
10. CONTACT TAILS COPLINARITY WITHIN 0.10.
11. REFER TO PAGE 91 FOR MATCHING PROTECTING CAP.
12. UL PRODUCT REFERENCE E90723 (US AND CANADA).

5 WAY THROUGH THE BOARD MATING EDGE CARD CONNECTOR

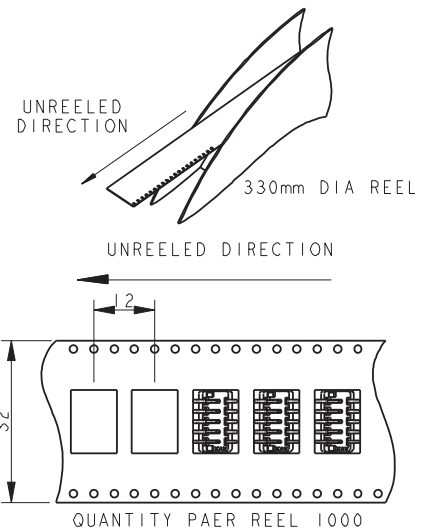


SECTION A-A



MOUNTING PCB
(TOP SIDE)

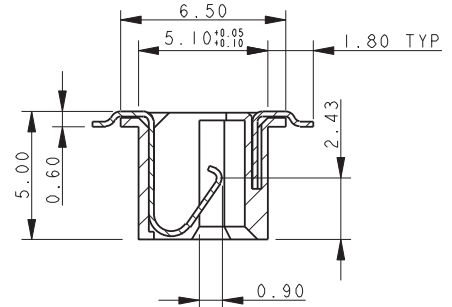
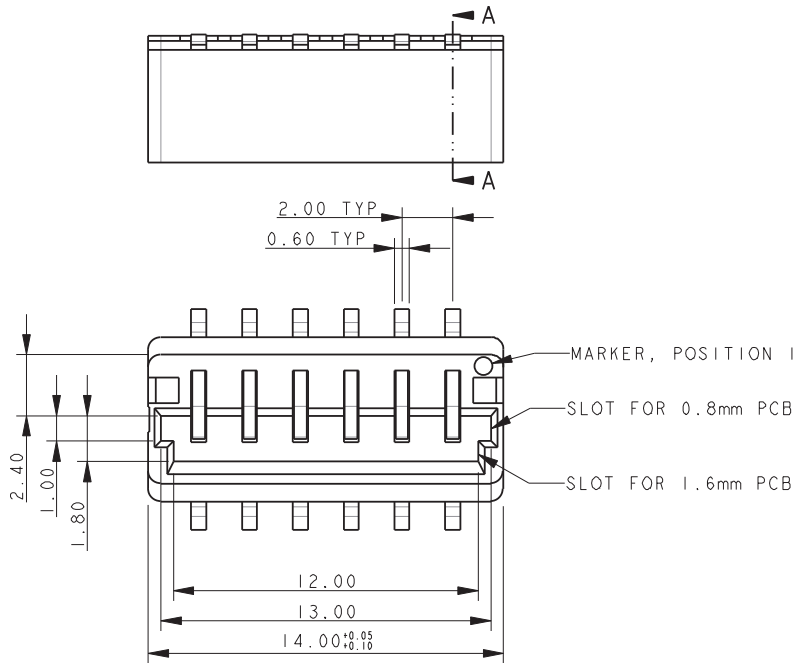
PACKING DETAILS



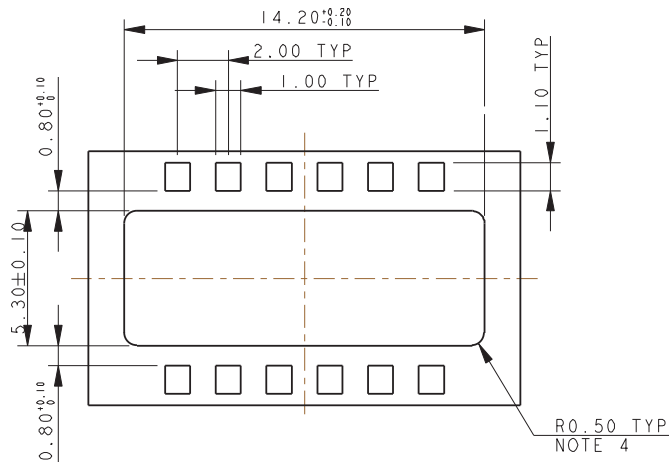
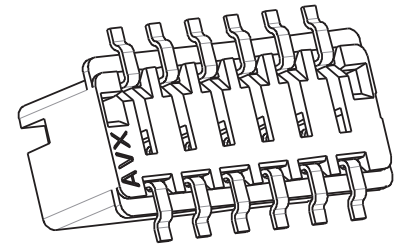
NOTES:

1. THROUGH THE BOARD 5 WAY EDGE CARD CONNECTOR. FOR FURTHER DETAILS REFER TO PRODUCT SPECIFICATION 201-01-136 AND APPLICATION NOTES 201-01-137.
2. FOR MATING PCB EITHER 0.8MM OR 1.6MM THICK. REFER TO PAGE 88 FOR MATING PCB DETAILS.
3. CONNECTOR TOP MOUNTING ON PCB.
4. UP TO 0.5MM RAD TO MATCH CONNECTOR PROFILE.
5. ALL DIMENSIONS ± 0.20 UNLESS TOLERANCE SPECIFIED.
6. INSULATOR: PAR4T, GLASS FILLED, HALOGEN FREE, UL94 V-0, COLOR SEE PAGE 82.
7. CONTACT: COPPER ALLOW, NICKEL PLATED WITH GOLD FLASH ON NOSE AND TIN ON TAILS.
8. BRACKET: COPPER ALLOY, PLATING TIN OVER NICKEL.
9. PACKING IN TAPE AND REEL, 1000 PIECES PER REEL.
10. CONTACT TAILS COPLINARITY WITHIN 0.10.
11. REFER TO PAGE 91 FOR MATCHING PROTECTING CAP.
12. UL PRODUCT REFERENCE E90723 (US AND CANADA).

6 WAY THROUGH THE BOARD MATING EDGE CARD CONNECTOR

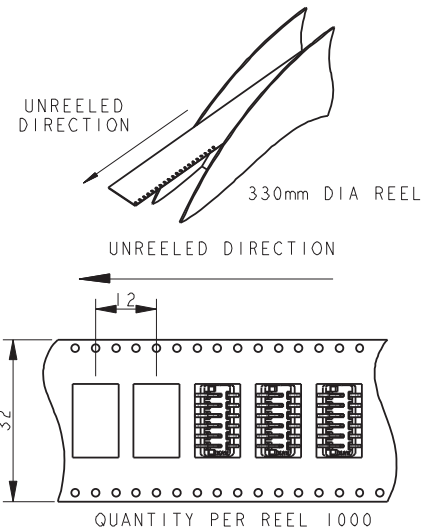


SECTION A-A



MOUNTING PCB
(TOP SIDE)

PACKING DETAILS



NOTES:

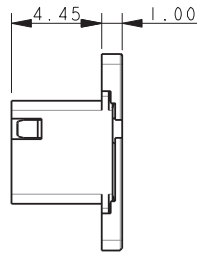
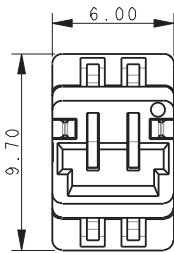
1. THROUGH THE BOARD 6 WAY EDGE CARD CONNECTOR. FOR FURTHER DETAILS REFER TO PRODUCT SPECIFICATION 201-01-136 AND APPLICATION NOTES 201-01-137.
2. FOR MATING PCB EITHER 0.8MM OR 1.6MM THICK. REFER TO PAGE 88 FOR MATING PCB DETAILS.
3. CONNECTOR TOP MOUNTING ON PCB.
4. UP TO 0.5MM RAD TO MATCH CONNECTOR PROFILE.
5. ALL DIMENSIONS ± 0.20 UNLESS TOLERANCE SPECIFIED.
6. INSULATOR: PAR4T, GLASS FILLED, HALOGEN FREE, UL94 V-0, COLOR SEE PAGE 82.
7. CONTACT: COPPER ALLOW, NICKEL PLATED WITH GOLD FLASH ON NOSE AND TIN ON TAILS.
8. BRACKET: COPPER ALLOY, PLATING TIN OVER NICKEL.
9. PACKING IN TAPE AND REEL, 1000 PIECES PER REEL.
10. CONTACT TAILS COPLINARITY WITHIN 0.10.
11. REFER TO PAGE 91 FOR MATCHING PROTECTING CAP.
12. UL PRODUCT REFERENCE E90723 (US AND CANADA).

Inverted Thru Board Card Edge: BTB

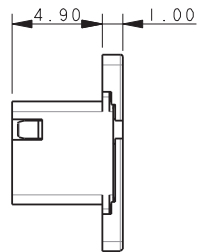
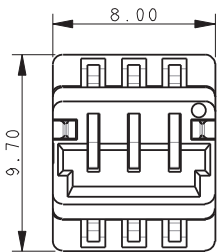
00-9159

THROUGH THE BOARD MATING EDGE CARD CONNECTOR – WITH CAP

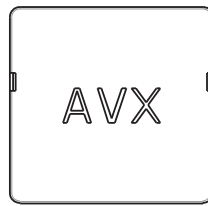
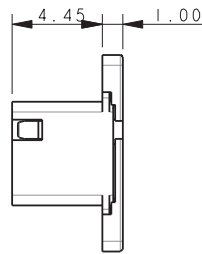
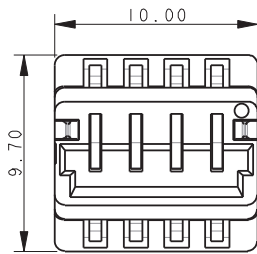
00-9159-00X-502-X06



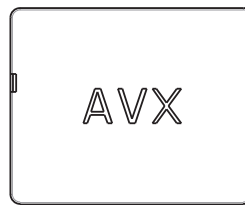
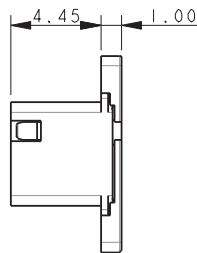
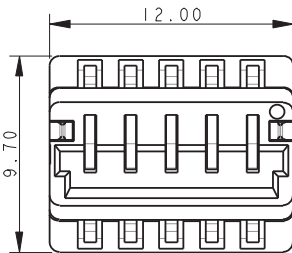
00-9159-002-502-906



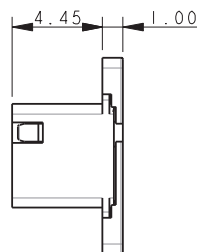
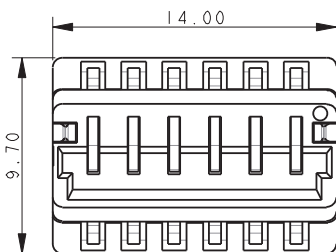
00-9159-003-502-906



00-9159-004-502-906



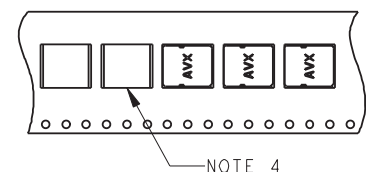
00-9159-005-502-906



00-9159-006-502-906

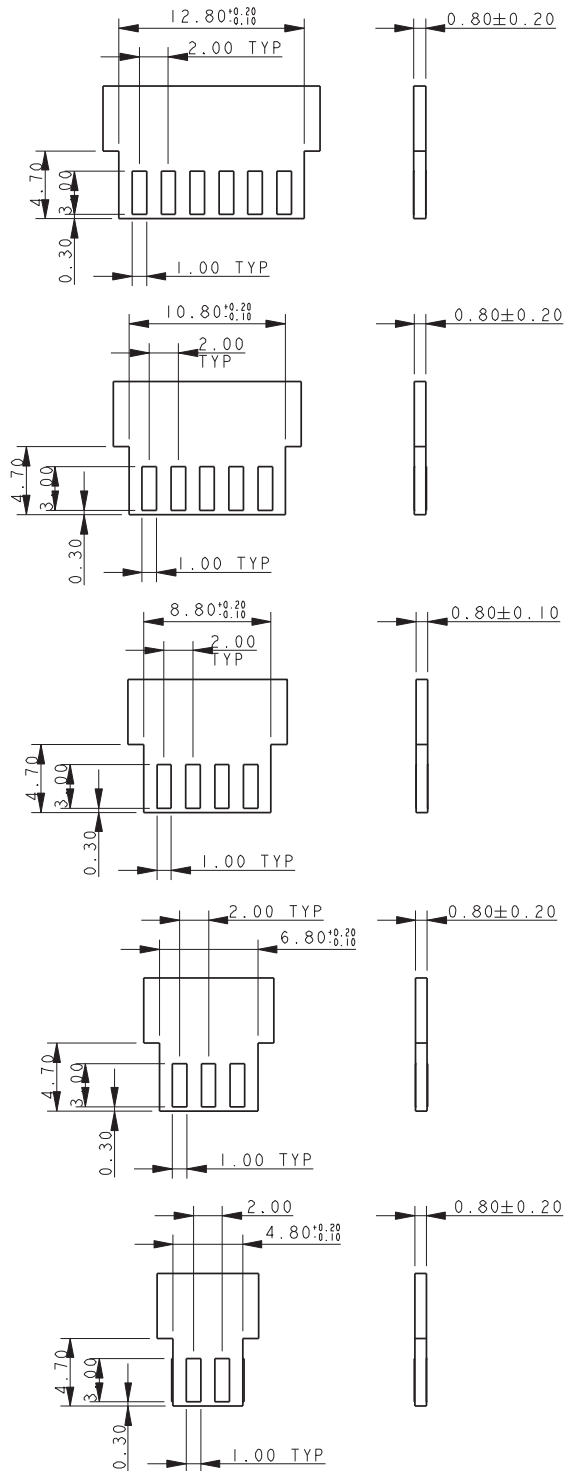
NOTES:

- 00-9159-00X-501-X06 WITH CAP SUPPLIED FITTED.
- DRAWINGS SHOW OUTLINE DIMENSIONS OF THE 00-9159-00X-502-X06 ASSEMBLIES. ALL OTHER DETAILS ARE AS 00-9159-00X-501-X06 ON PAGES 83-87.
- GENERAL TOLERANCE ± 0.20 .
- PACKING ORIENTATION.
- UL PRODUCT REFERENCE E90723 (US AND CANADA).

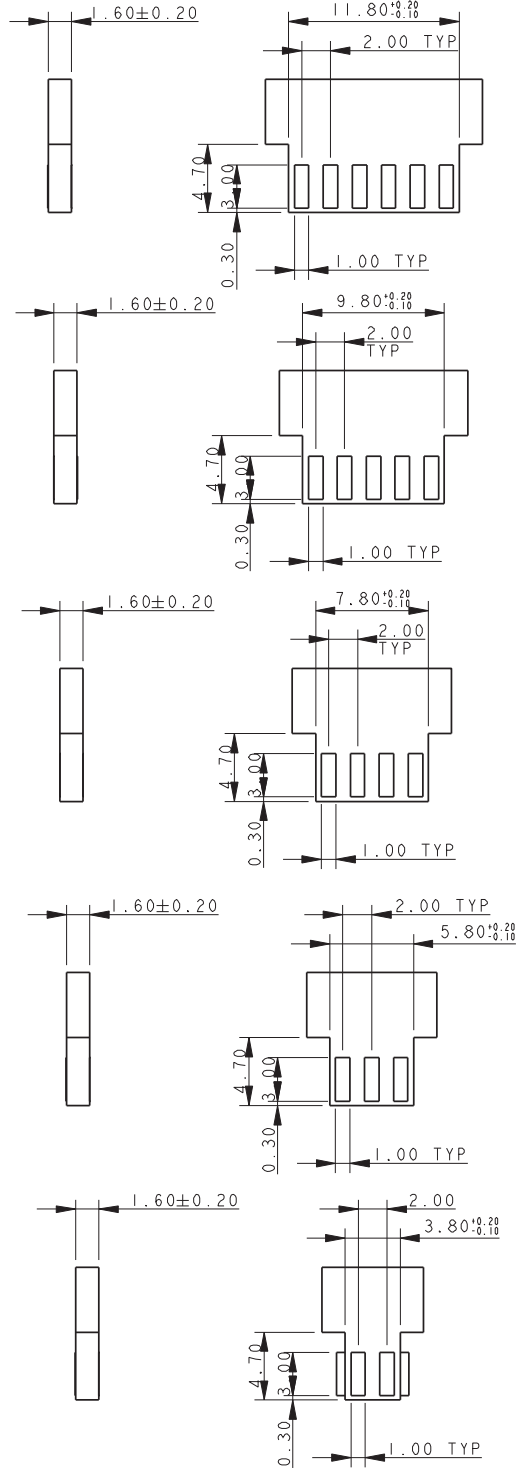


THROUGH THE BOARD MATING EDGE CARD CONNECTOR – MATING PCB

MATING PCB – 0.8MM PCB



MATING PCB – 1.6MM PCB



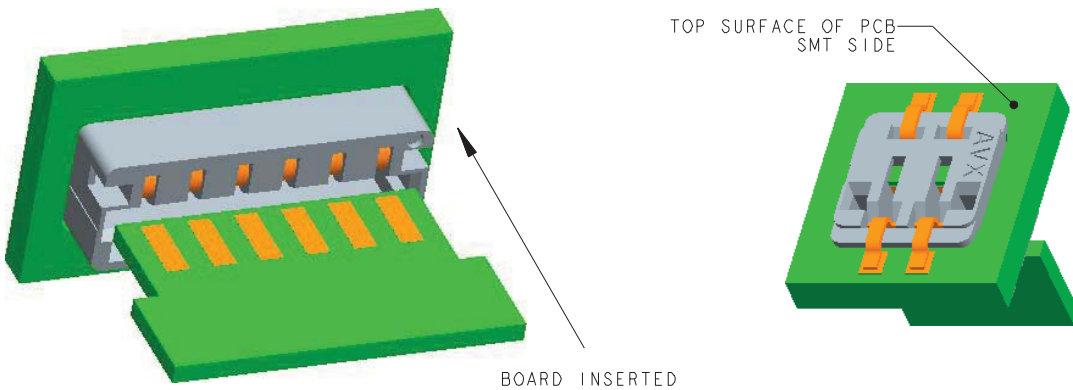
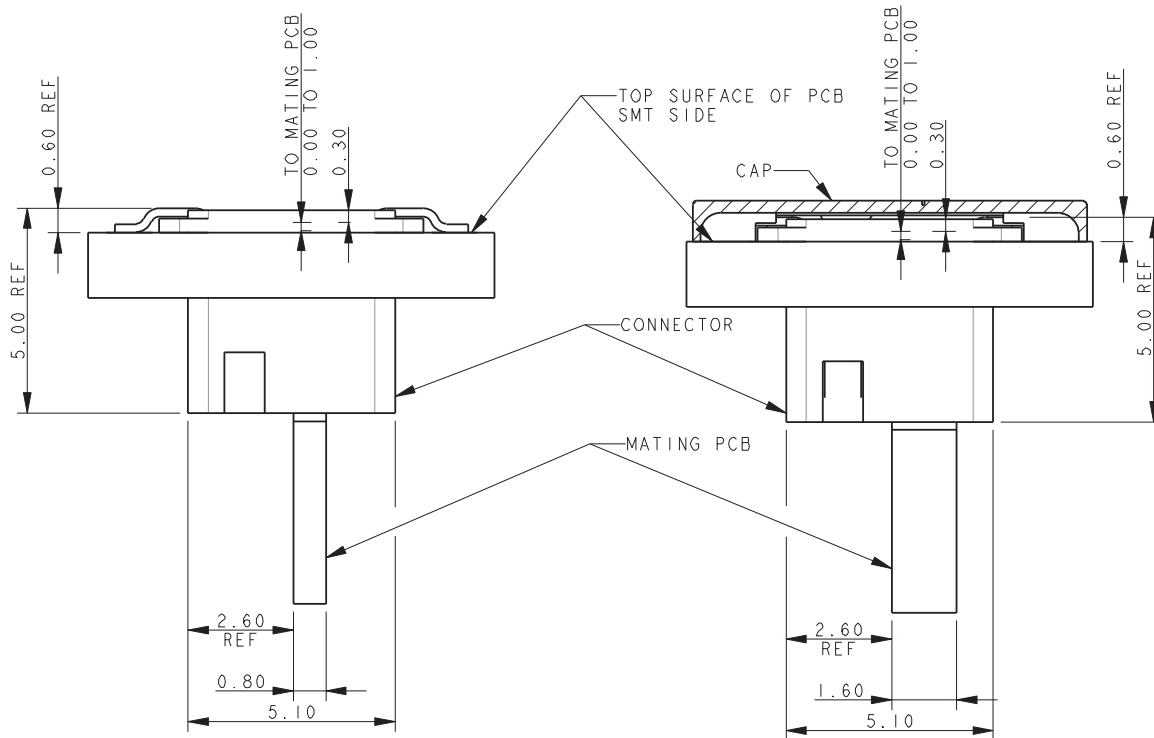
NOTES:

1. CORRECT DIMENSIONS FOR EITHER 0.80MM OR F1.60MM PCB THICKNESS MUST BE USED.
2. THICKNESS OF PCB INCLUDES ALL LAYERS INCLUDING COPPER AND PLATING.
3. PADS TO BE PLATED GOLD OVER NICKEL UNDERCOAT.
4. GENERAL TOLERANCE ±0.10 UNLESS STATED.

THROUGH THE BOARD MATING EDGE CARD CONNECTOR

CONNECTOR/PCB ASSEMBLY 0.8MM MATING PCB NO CAP

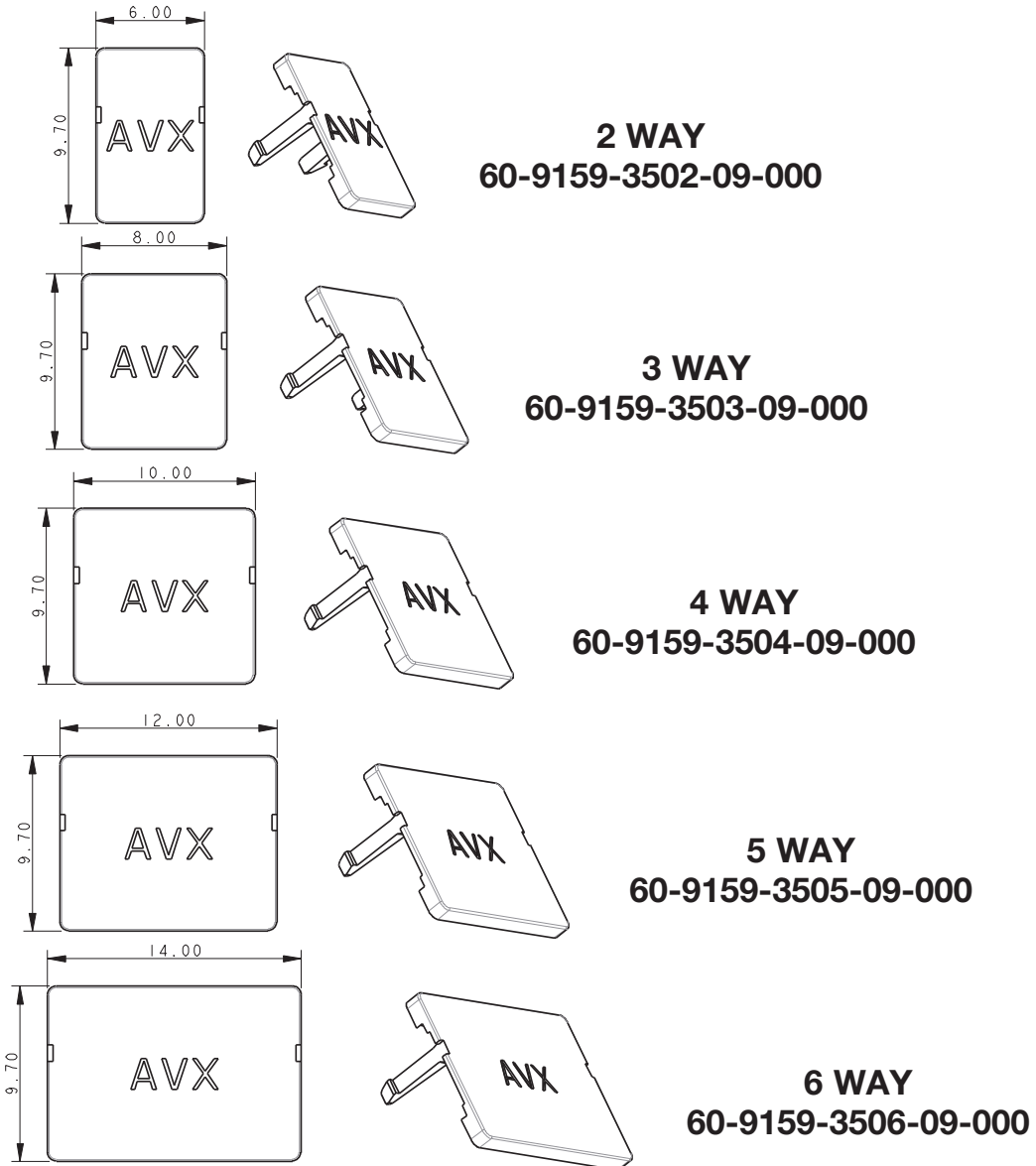
CONNECTOR/PCB ASSEMBLY 1.6MM MATING PCB WITH CAP



NOTES:

1. THROUGH THE BOARD EDGE CARD CONNECTOR.
2. FOR MATING PCB EITHER 0.8MM OR 1.6MM THICK. REFER TO PAGE 88 FOR MATING PCB DETAILS.
3. CONNECTOR TOP MOUNTING ON PCB.
4. PAD DETAILS ON THE MATING PCB ALLOW CONTACT TO BE MADE IN ANY POSITION FROM THE STOP FACE UP TO 1MM FROM THE STOP FACE.
5. GENERAL TOLERANCE ± 0.20 UNLESS STATED.

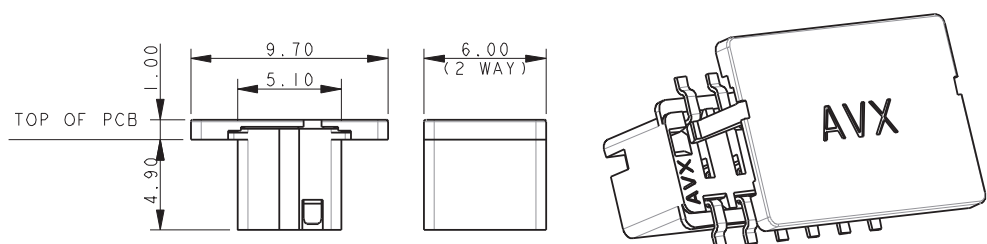
ACCESSORY – PROTECTING CAP



NOTES:

1. PROTECTING CAP, ACCESSORY, NOT SUPPLIED WITH CONNECTOR.
2. CLIPS TO TOP OF CONNECTOR TO COVE ALL METAL COMPONENTS.
3. MATERIAL: PA4T, GLASS FILLED, HALOGEN FREE, UL94 V-0.
COLOR CODE REFER TO PAGE 82, "X" IN PART NUMBER.
4. SUPPLIED IN BAGS OF 100 PIECES.
5. GENERAL TOLERANCE ± 0.20 .
6. UL REFERENCE E90723.

ASSEMBLED CAP



Mouser Electronics

Authorized Distributor

Click to View Pricing, Inventory, Delivery & Lifecycle Information:

[AVX:](#)

[009159004501906](#) [009159003501906](#) [009159006501906](#) [009159005501906](#) [009159002502906](#)
[009159002501906](#) [009159003502906](#) [009159005502906](#) [009159006502906](#) [009159004502906](#)