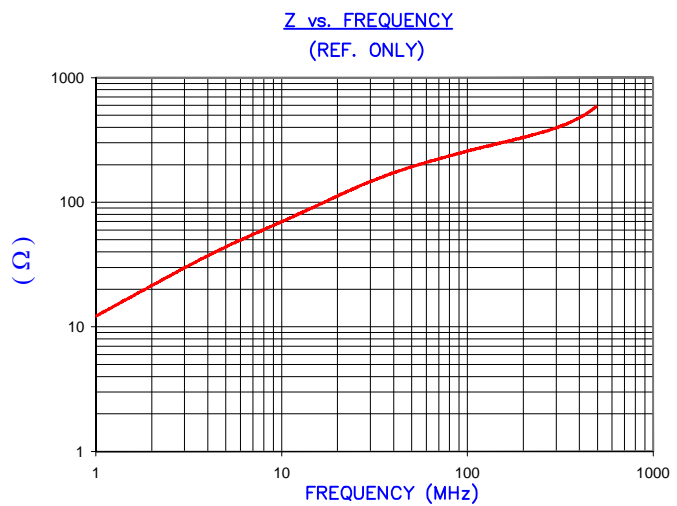


DETAIL "A"
CHAMFER
SCALE=4:1

UNCONTROLLED DOCUMENT

IMPEDANCE (Z)			
Frequency	25 MHz	100 MHz	300 MHz
Nominal (REF)	135 Ω	250 Ω	400 Ω
Minimum	- Ω	200 Ω	- Ω



AGILENT E4991A Impedance/Material Analyzer
HP 16092A Test Fixture

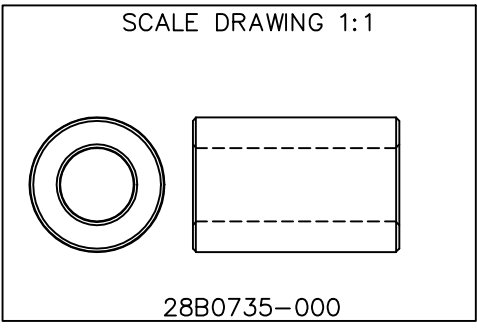
NOTES: UNLESS OTHERWISE SPECIFIED

- PARTS MUST BE TUMBLED, BURNISHED OR DEBURRED TO REMOVE ALL BURRS AND SHARP EDGES.
- COSMETIC SPECIFICATION REFER TO WI-QA-038.

FERRITE CORE DIMENSIONS (SPEC): mm/inches

A	18.67 [.735]	±	0.36 [.014]
B	10.16 [.400]	±	0.20 [.008]
C	28.58 [1.125]	±	0.76 [.030]

WEIGHT/1000 27.14 kgs [59.83Lbs]



DIMENSIONS ARE IN mm [INCHES].				This print is the property of Laird Tech. and is loaned in confidence subject to return upon request and with the understanding that no copies shall be made without the written consent of Laird Tech. All rights to design or invention are reserved.	
H	UPDATE THE LOGO	05/13/15	QIU		
G	UPDATED TEMPLATE	11/02/10	Jcai		
F	UPDATE PRINT FORMAT				
F	CHANGE NOTE # 1, CHG TEST FIXTURE	05/22/03	JRK		
E	ADD NOTE #1, ADD kgs TO WEIGHT	05/01/02	JRK	PROJECT/PART NUMBER:	28B0735-000
D	ADD Z CURVE, UPDATE ELECT SPEC REM COATING SPEC CHG PART # TO -000	04/11/02	JRK	REV	H
C	CHG P/N TO 28B0735-00* ADD COATING SPEC	03/19/99	I.S.	PART TYPE:	FERRITE CNZ CORE
B	UPDATED P/N FOR NEW CATALOG	09/25/95	JBE	DRAWN BY:	DJB
A	ORIGINAL DRAFT	07/03/90	DJB	DATE:	07/03/90
REV	DESCRIPTION	DATE	INT	SCALE:	2:1
				MATERIAL:	FERRITE
				CAD #	28B0735-000-H
				TOOL #	B0735

Mouser Electronics

Authorized Distributor

Click to View Pricing, Inventory, Delivery & Lifecycle Information:

Laird:

[28B0735-000](#)