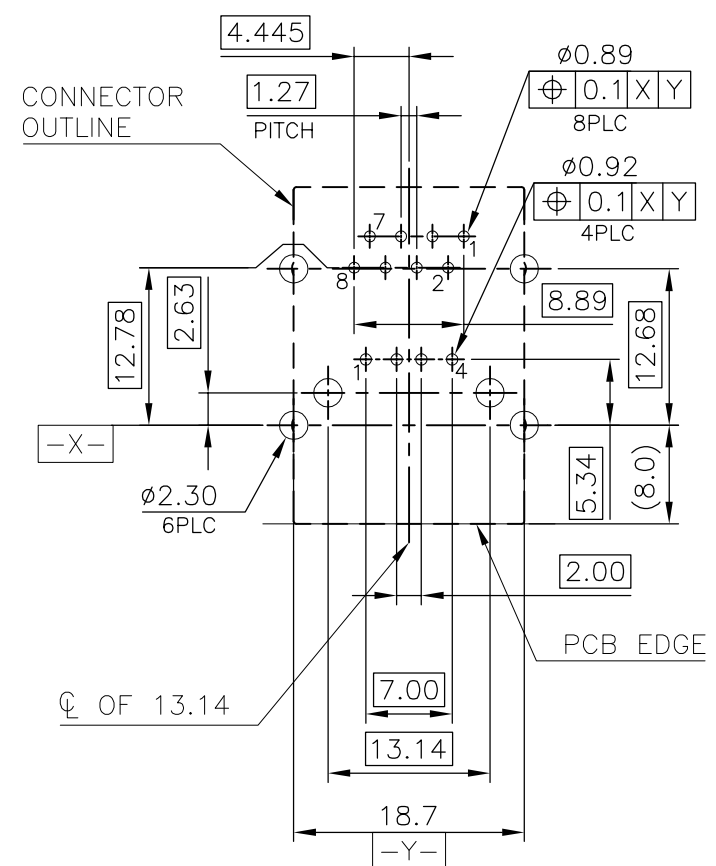
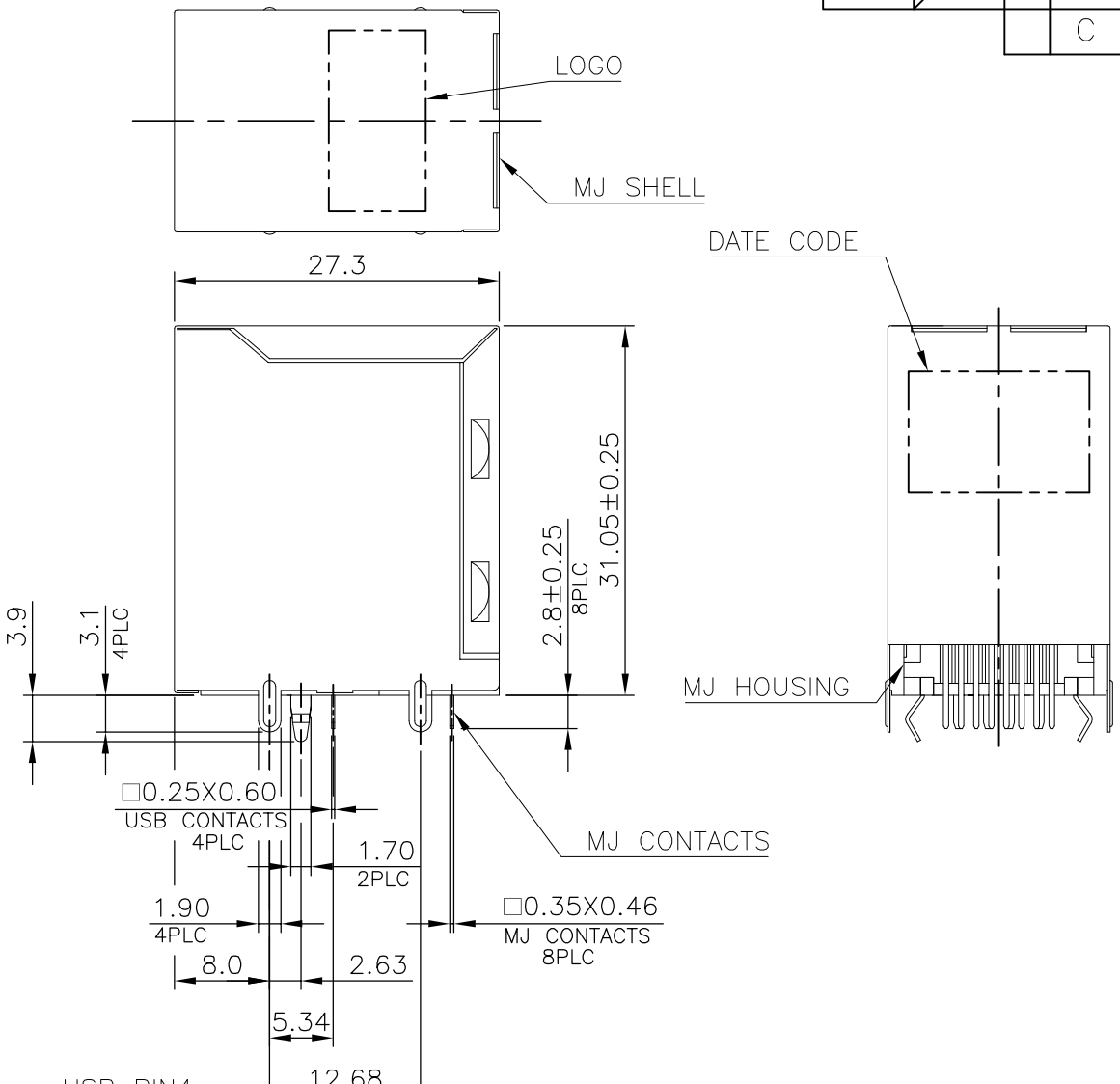
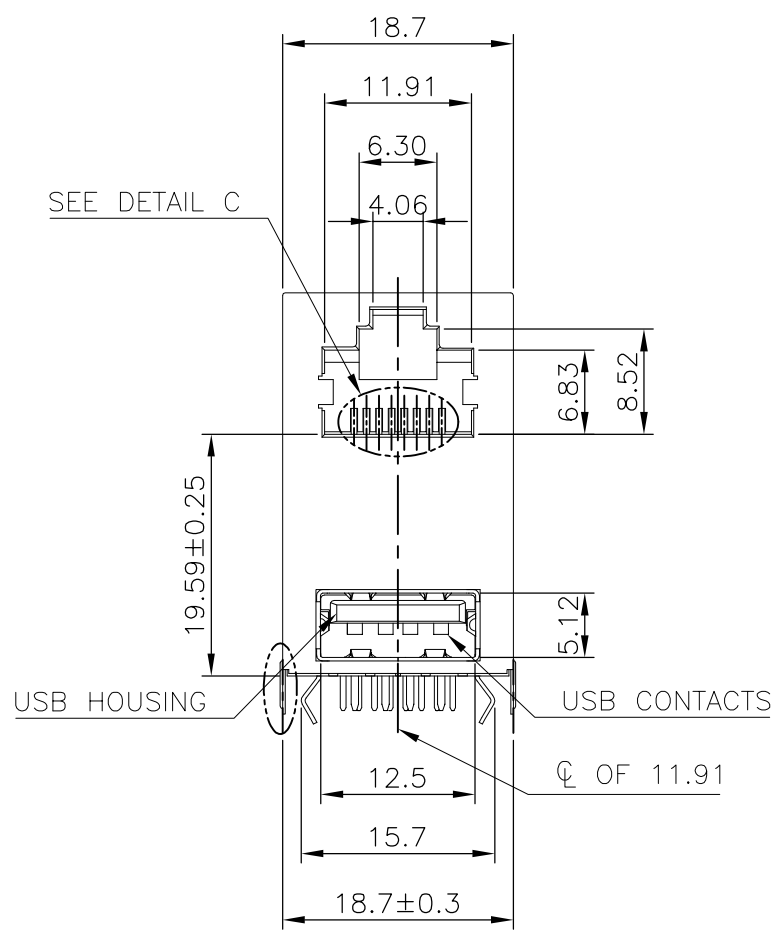


THIS DRAWING IS UNPUBLISHED.

RELEASED FOR PUBLICATION

© COPYRIGHT 2011 BY TYCO ELECTRONICS CORPORATION. ALL RIGHTS RESERVED.

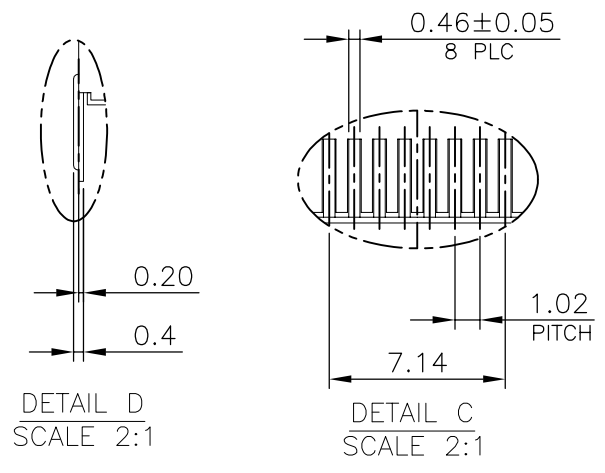
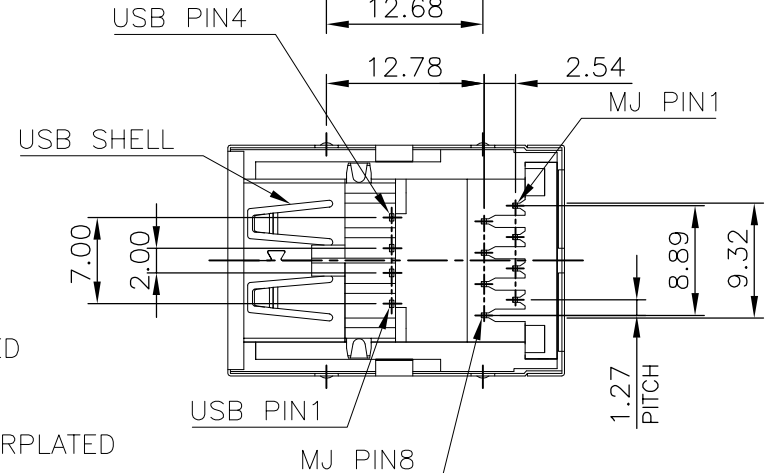
LOC	DIST	REVISIONS					
DW		P	LTR	DESCRIPTION	DATE	DWN	APVD
		C		REV PER ECO-14-017393	04AUG2014	L.L.	S.H.



RECOMMENDED PCB LAYOUT
 RECOMMENDED PCB THICKNESS: 1.6mm.
 TOLERANCE: ±0.05 (TOP VIEW)

NOTE:

- MATERIAL:
 - MJ HOUSING: PBT, WITH 30% GF, UL 94V-0, BLACK COLOR.
 - MJ CONTACTS: PHOSPHOR BRONZE.
 - MJ SHELL: BRASS.
 - USB HOUSING: PBT, WITH 30% GF, UL94V-0, BLACK COLOR.
 - USB CONTACTS: BRASS.
 - USB SHELL: SPCC.
- FINISH:
 - MJ CONTACTS: 0.762um [30u"] MIN. GOLD PLATED ON CONTACT AREA, GOLD FLASH ON SOLDER TAIL, 1.27um [50u"] MIN. NICKEL UNDERPLATED OVERALL.
 - MJ SHELL: 0.508um [20u"] MIN. NICKEL PLATED.
 - USB CONTACTS: 0.762um [30u"] MIN. GOLD PLATED ON CONTACT AREA, 2.54um [100u"] MIN. BRIGHT TIN PLATED ON SOLDER TAIL, 1.27um [50u"] MIN. NICKEL UNDERPLATED OVERALL.
 - USB SHELL: 2.032um [80u"] MIN. NICKEL PLATED.
- WAVE SOLDER CAPABLE TO 265°C PER TE SPE 109-202, CONDITION B.



1909119-1
 PART NUMBER

THIS DRAWING IS A CONTROLLED DOCUMENT.		DWN	B. HSING	08JUN2008	 TE Connectivity	NAME	
DIMENSIONS:		CHK	S. CHIEN	08JUN2008		MODULAR JACK CONNECTOR OVER USB CONNECTOR STACKED, DIP TYPE	
mm		APVD	W. KODAMA	08JUN2008		SIZE	
		PRODUCT SPEC		CAGE CODE		DRAWING NO	
TOLERANCES UNLESS OTHERWISE SPECIFIED:		APPLICATION SPEC		WEIGHT		RESTRICTED TO	
0 PLC ± -		108-57900		14.19 GRAMS		A300779 C=1909119	
1 PLC ± 0.3		CUSTOMER DRAWING		SCALE		SHEET	
2 PLC ± 0.2		SCALE		SHEET		1 OF 6	
3 PLC ± 0.15		SCALE		SHEET		REV	
4 PLC ± -		SCALE		SHEET		C	
ANGLES ± 3'		SCALE		SHEET		REV	
MATERIAL		SCALE		SHEET		REV	
SEE NOTE		SCALE		SHEET		REV	

4

3

2

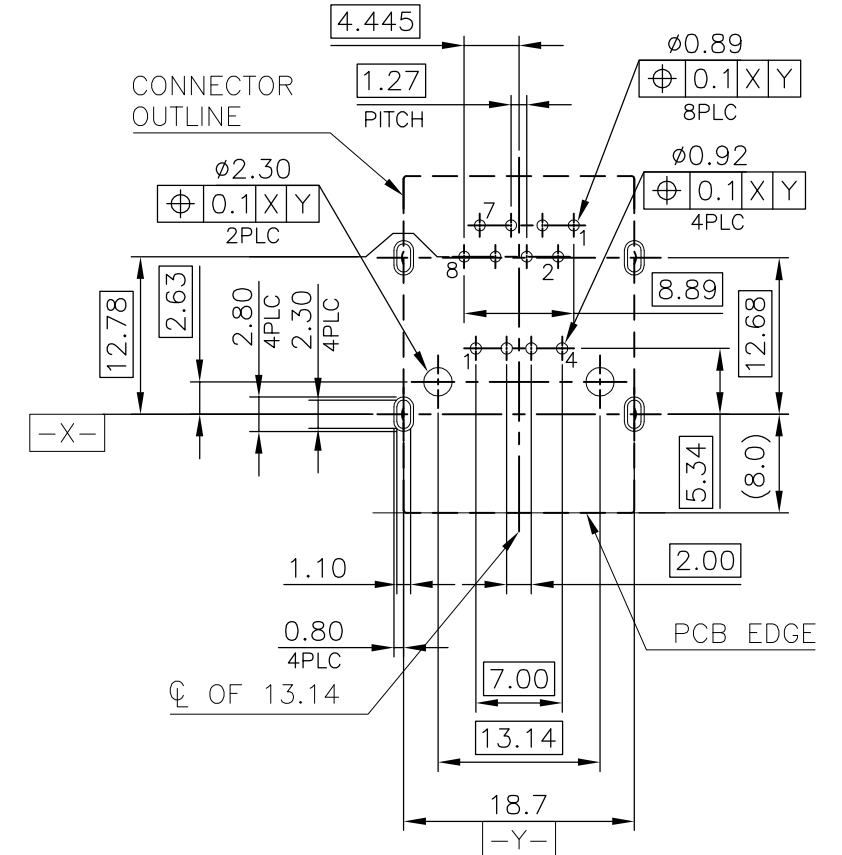
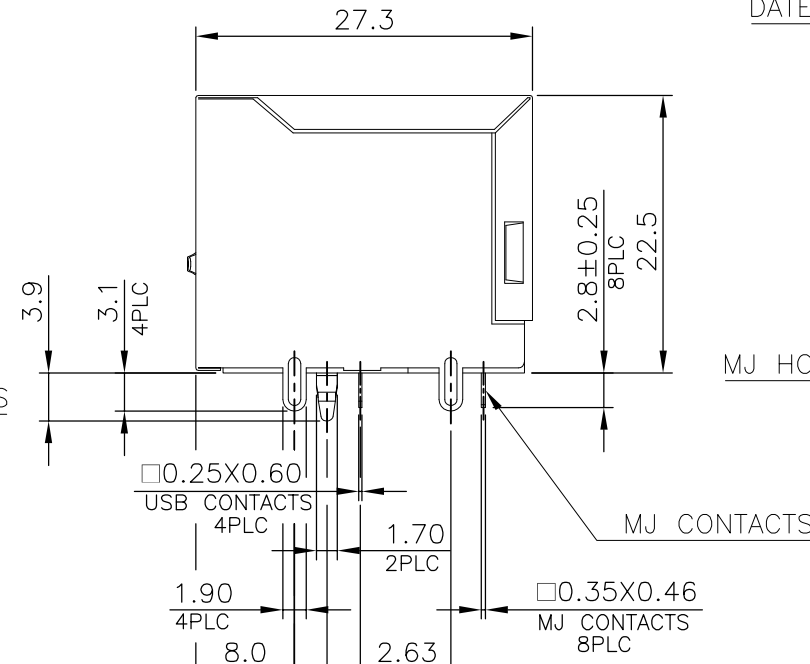
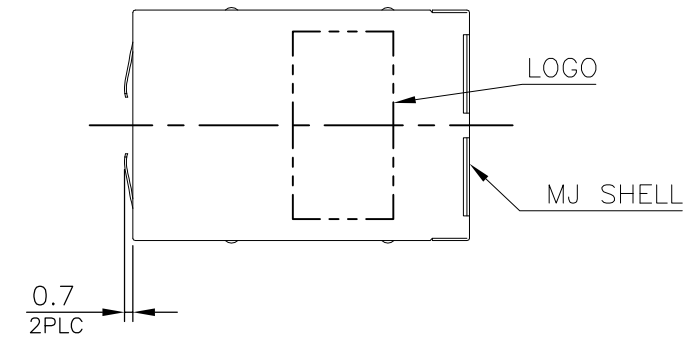
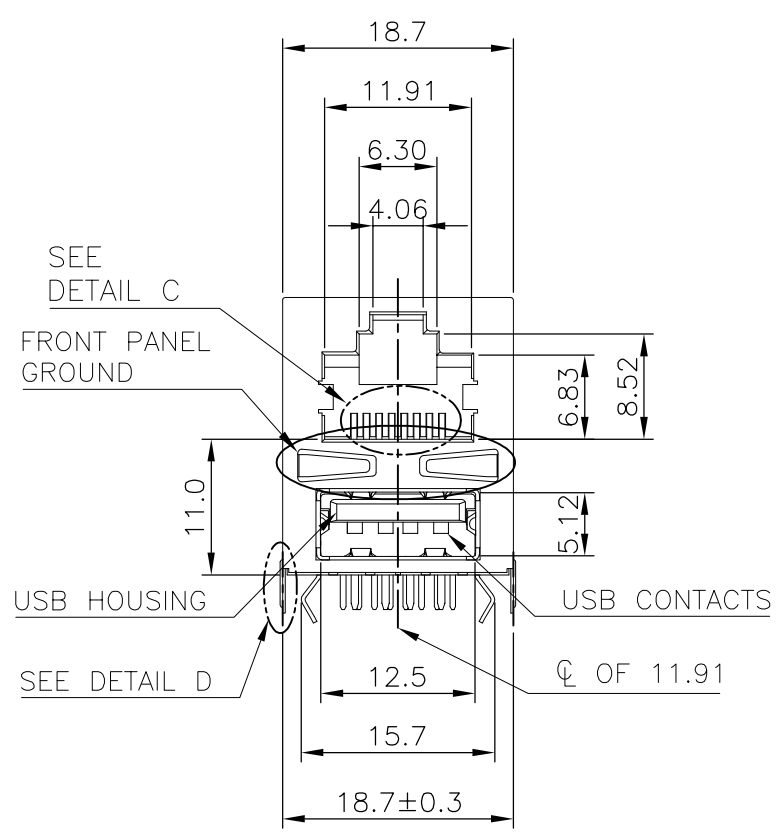
1

THIS DRAWING IS UNPUBLISHED. RELEASED FOR PUBLICATION
 © COPYRIGHT 2011 BY TYCO ELECTRONICS CORPORATION. ALL RIGHTS RESERVED.

LOC	DIST	REVISIONS			
P	LTR	DESCRIPTION	DATE	DWN	APVD
DW		SEE SHEET 1.			

D

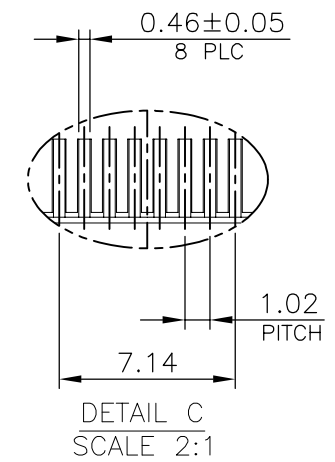
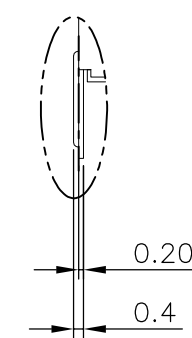
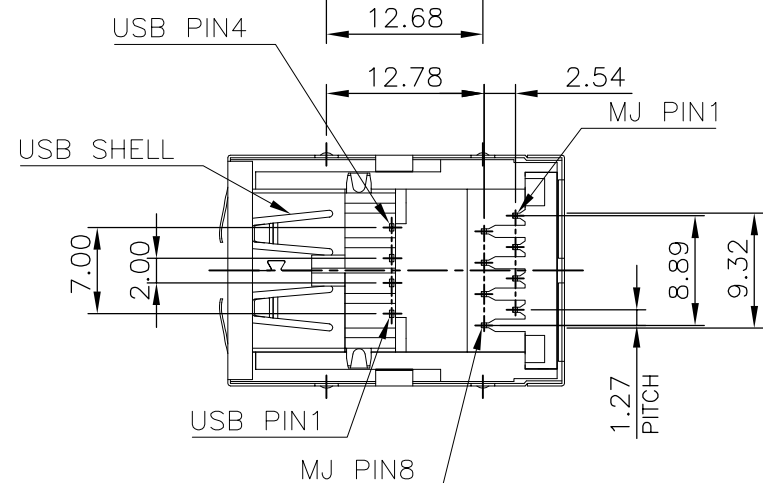
D



RECOMMENDED PCB LAYOUT
 RECOMMENDED PCB THICKNESS: 1.6mm.
 TOLERANCE: ±0.05 (TOP VIEW)

C

C



B

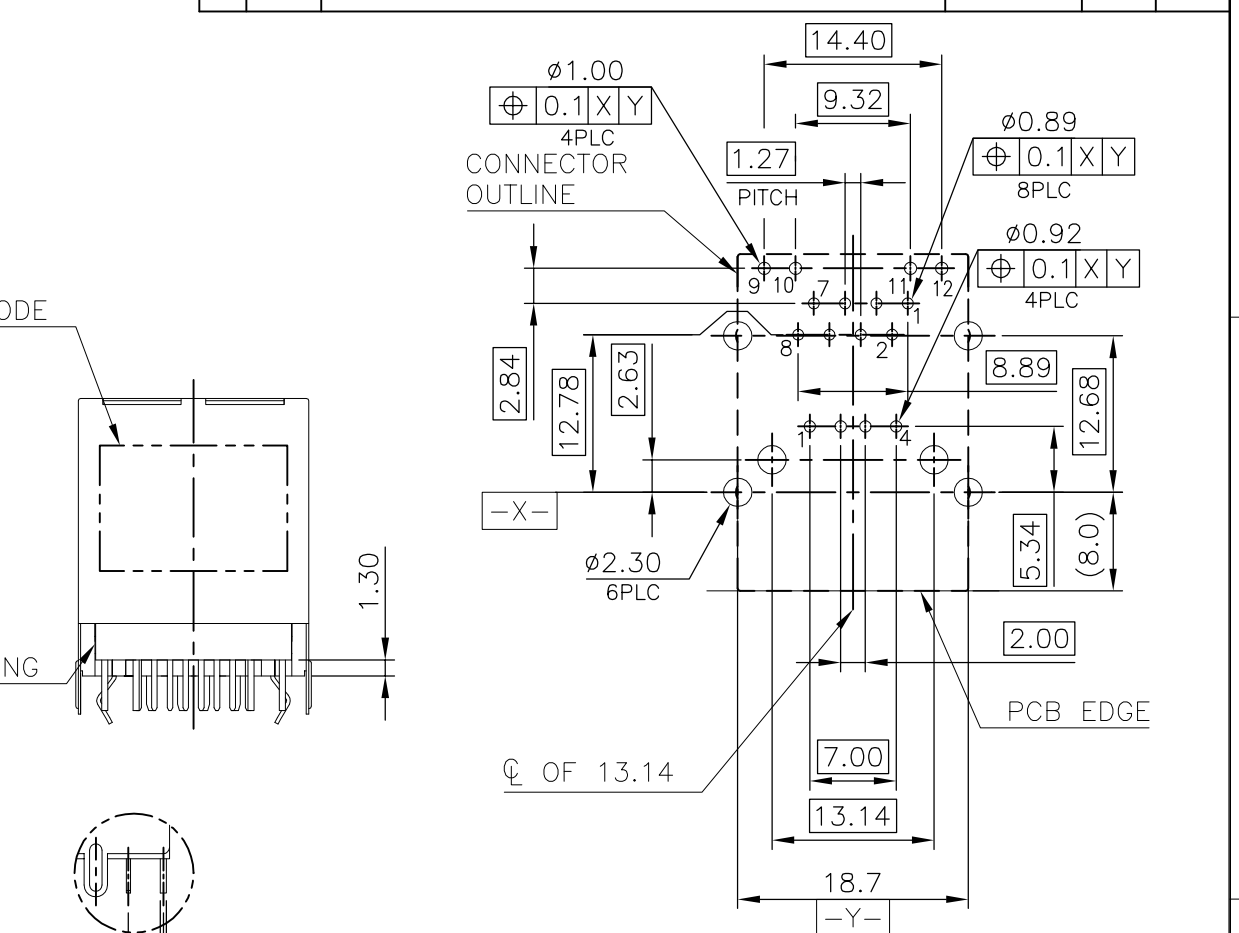
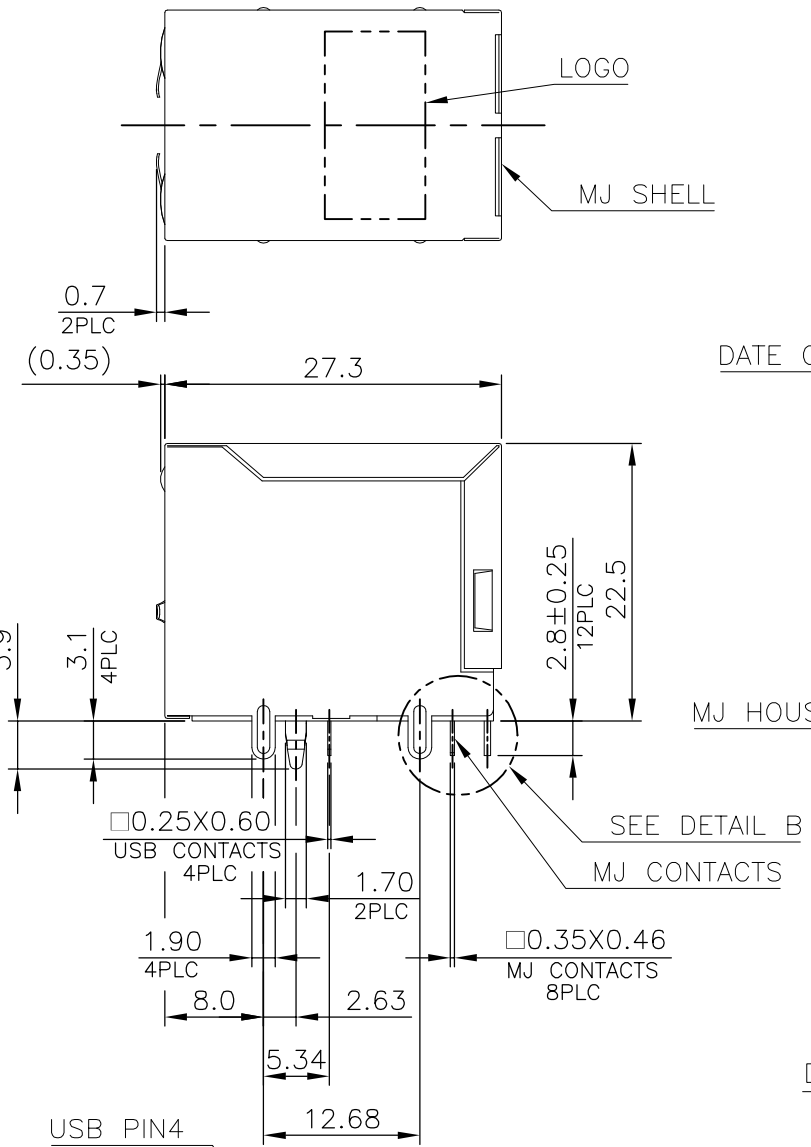
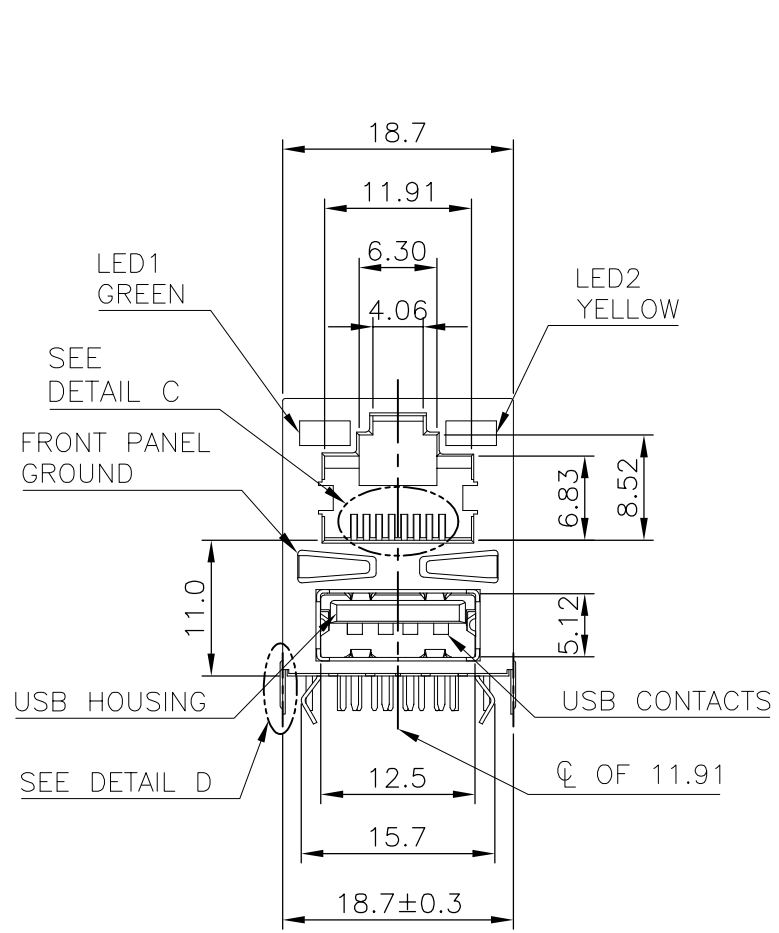
B

A

A

THIS DRAWING IS A CONTROLLED DOCUMENT.		DWN	1909119-4	
DIMENSIONS: mm		CHK	PART NUMBER	
TOLERANCES UNLESS OTHERWISE SPECIFIED:		APVD	TE Connectivity	
0 PLC ± -		PRODUCT SPEC	NAME	
1 PLC ± 0.3		APPLICATION SPEC	MODULAR JACK CONNECTOR OVER USB CONNECTOR STACKED, DIP TYPE	
2 PLC ± 0.2		WEIGHT 12.09 GRAMS	SIZE	CAGE CODE
3 PLC ± 0.15		CUSTOMER DRAWING	A3	00779
4 PLC ± -		SCALE	DRAWING NO	
ANGLES ± 3'		SHEET	1909119	
MATERIAL SEE NOTE	FINISH SEE NOTE	RESTRICTED TO	REV C	
		2 OF 6		

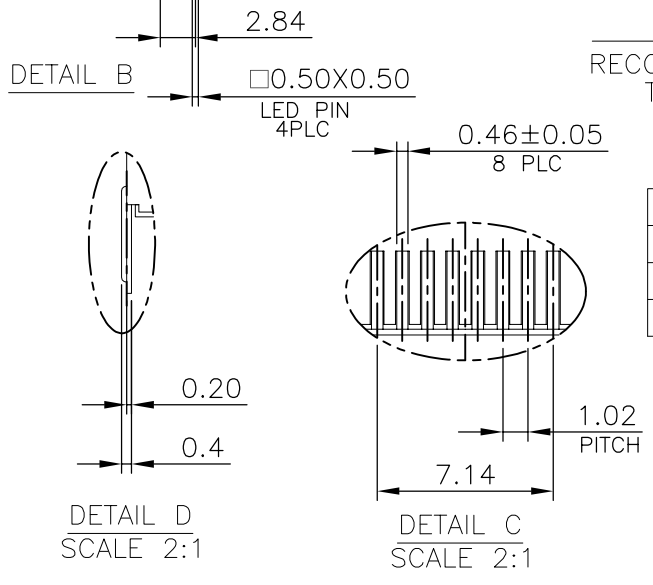
LOC	DIST	REVISIONS			
P	LTR	DESCRIPTION	DATE	DWN	APVD
DW		SEE SHEET 1.			



- NOTE:
- MATERIAL:
 - MJ HOUSING & LED COVER: PBT, WITH 30% GF, UL 94V-0, BLACK COLOR.
 - MJ CONTACTS: PHOSPHOR BRONZE.
 - MJ SHELL: BRASS.
 - LED SOLDER TAIL: EPOXY, STEEL.
 - USB HOUSING: PBT, WITH 30% GF, UL94V-0, BLACK COLOR.
 - USB CONTACTS: BRASS.
 - USB SHELL: SPCC.
 - FINISH:
 - MJ CONTACTS: GOLD FLASH PLATED ON CONTACT AREA, GOLD FLASH ON SOLDER TAIL, 1.27um [50u"] MIN. NICKEL UNDERPLATED OVERALL.
 - MJ SHELL: 0.508um [20u"] MIN. NICKEL PLATED.
 - LED SOLDER TAIL: 1.02um [40u"] COPPER UNDERPLATED OVERALL. 1.27um [50u"] NICKEL OVERALL. 1.27um [50u"] SILVER ON BONDING AREA. 2.54um [100u"] BRIGHT-TIN ON SOLDER AREA.
 - USB CONTACTS: 0.762um [30u"] MIN. GOLD PLATED ON CONTACT AREA, 2.54um [100u"] MIN. BRIGHT TIN PLATED ON SOLDER TAIL, 1.27um [50u"] MIN. NICKEL UNDERPLATED OVERALL.
 - USB SHELL: 2.032um [80u"] MIN. NICKEL PLATED.
 - WAVE SOLDER CAPABLE TO 265°C PER TE SPE 109-202, CONDITION B.

RECOMMENDED PCB LAYOUT
 RECOMMENDED PCB THICKNESS: 1.6mm.
 TOLERANCE: ±0.05 (TOP VIEW)

LED ELECTRICAL CHARACTERISTIC			
NO.	NODE	COLOR	
LED1	9(+)	10(-)	GREEN 9-10
LED2	11(+)	12(-)	YELLOW 11-12



1-1909119-4
 PART NUMBER

THIS DRAWING IS A CONTROLLED DOCUMENT.

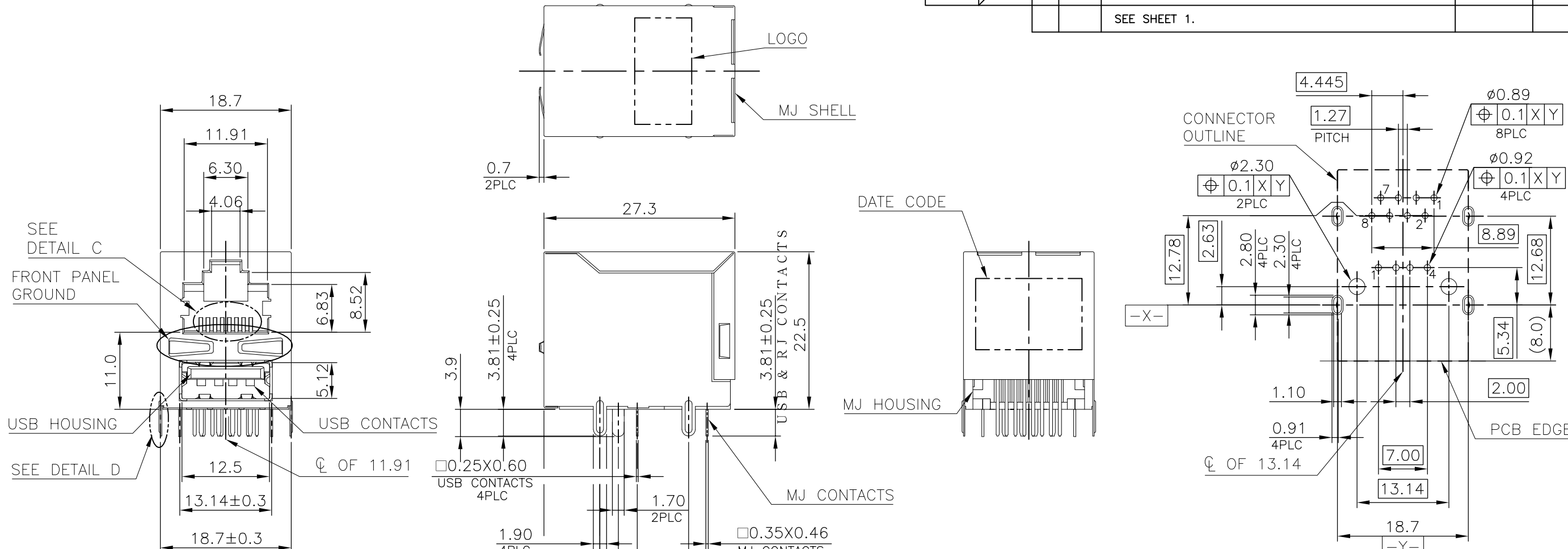
DIMENSIONS: mm	TOLERANCES UNLESS OTHERWISE SPECIFIED: 0 PLC ± - 1 PLC ± 0.3 2 PLC ± 0.2 3 PLC ± 0.15 4 PLC ± - ANGLES ± 3'	DWN	TE Connectivity NAME MODULAR JACK CONNECTOR OVER USB CONNECTOR STACKED, DIP TYPE
MATERIAL SEE NOTE	FINISH SEE NOTE	CHK	
		APVD	
		PRODUCT SPEC	
		APPLICATION SPEC	SIZE
		WEIGHT 13.06 GRAMS	CAGE CODE A300779
		CUSTOMER DRAWING	DRAWING NO. 1909119
			RESTRICTED TO
		SCALE	SHEET 3 OF 6
			REV C

THIS DRAWING IS UNPUBLISHED.

RELEASED FOR PUBLICATION

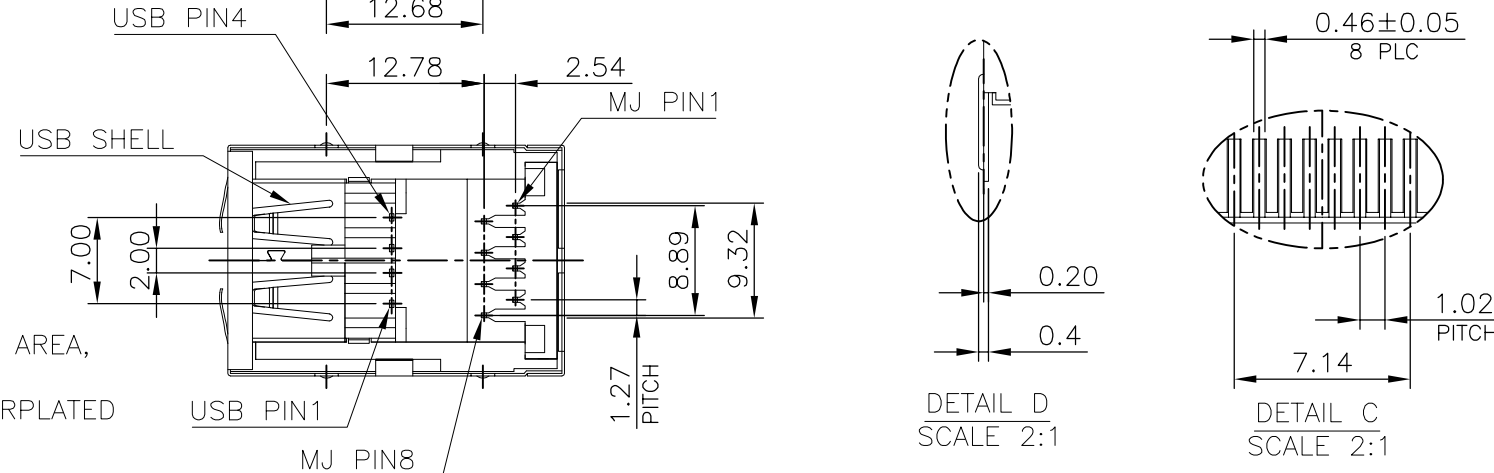
© COPYRIGHT 2011 BY TYCO ELECTRONICS CORPORATION. ALL RIGHTS RESERVED.

LOC		DIST		REVISIONS			
DW		P	LTR	DESCRIPTION	DATE	DWN	APVD
				SEE SHEET 1.			



RECOMMENDED PCB LAYOUT
 RECOMMENDED PCB THICKNESS: 3.0mm.
 TOLERANCE: ±0.05 (TOP VIEW)

- NOTE:
- MATERIAL:
 - MJ HOUSING: PA9T, WITH 30% GF, UL 94V-0, BLACK COLOR.
 - MJ CONTACTS: PHOSPHOR BRONZE.
 - MJ SHELL: BRASS.
 - USB HOUSING: PA9T, WITH 30% GF, UL94V-0, BLACK COLOR.
 - USB CONTACTS: BRASS.
 - USB SHELL: SPCC.
 - FINISH:
 - MJ CONTACTS: GOLD FLASH PLATED ON CONTACT AREA, GOLD FLASH ON SOLDER TAIL, 1.27µm [50u"] MIN. NICKEL UNDERPLATED OVERALL.
 - MJ SHELL: 0.508µm [20u"] MIN. NICKEL PLATED.
 - USB CONTACTS: 0.762µm [30u"] MIN. GOLD PLATED ON CONTACT AREA, 2.54µm [100u"] MIN. BRIGHT TIN PLATED ON SOLDER TAIL, 1.27µm [50u"] MIN. NICKEL UNDERPLATED OVERALL.
 - USB SHELL: 2.032µm [80u"] MIN. NICKEL PLATED.
 - REFLOW SOLDER CAPABLE TO 260°C PER TE SPEC 109-201, CONDITION A.



2-1909119-4
 PART NUMBER

THIS DRAWING IS A CONTROLLED DOCUMENT.		DWN		TE Connectivity	
DIMENSIONS: mm		CHK			
TOLERANCES UNLESS OTHERWISE SPECIFIED:		APVD		NAME	
0 PLC ± -		PRODUCT SPEC		MODULAR JACK CONNECTOR OVER USB CONNECTOR STACKED, DIP TYPE	
1 PLC ± 0.3		APPLICATION SPEC		SIZE	
2 PLC ± 0.2		WEIGHT 13.06 GRAMS		CAGE CODE A300779	
3 PLC ± 0.15		CUSTOMER DRAWING		DRAWING NO C-1909119	
4 PLC ± -		SCALE		RESTRICTED TO	
ANGLES ± 3'		SHEET 4 OF 6		REV C	
MATERIAL SEE NOTE					
FINISH SEE NOTE					

4

3

2

1

THIS DRAWING IS UNPUBLISHED. RELEASED FOR PUBLICATION
 © COPYRIGHT 2011 BY TYCO ELECTRONICS CORPORATION. ALL RIGHTS RESERVED.

LOC	DIST	REVISIONS			
P	LTR	DESCRIPTION	DATE	DWN	APVD
DW		SEE SHEET 1.			

D

D

C

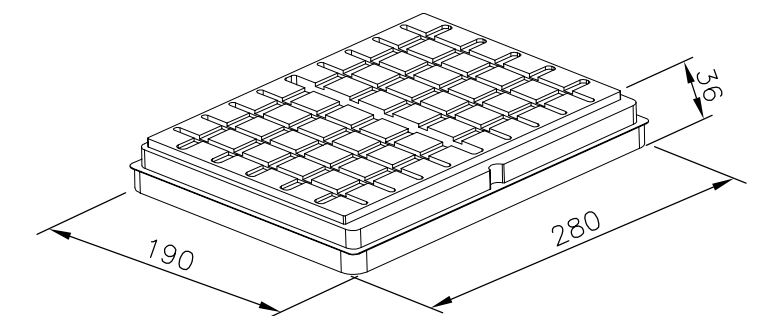
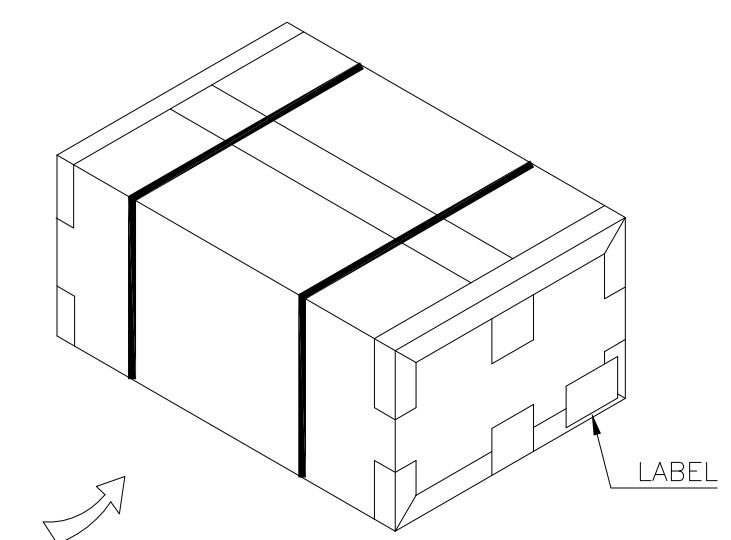
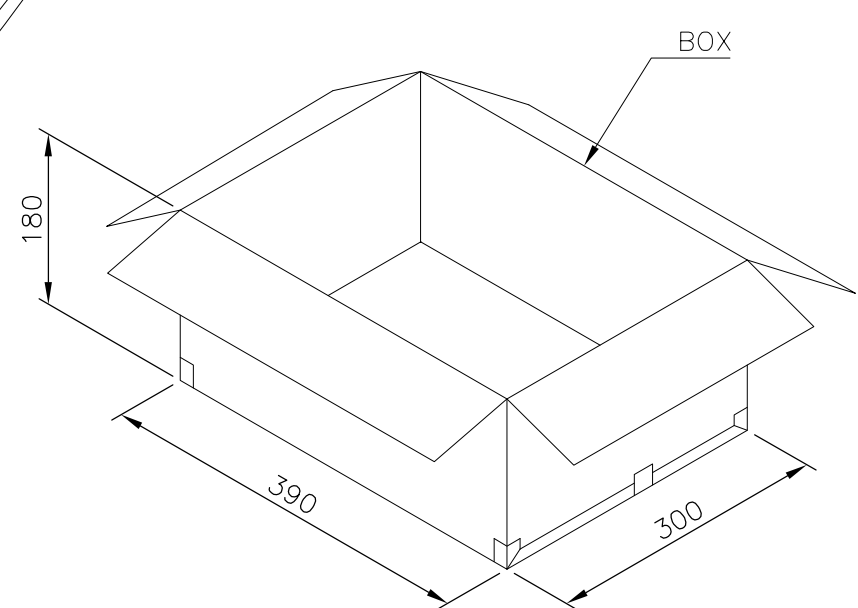
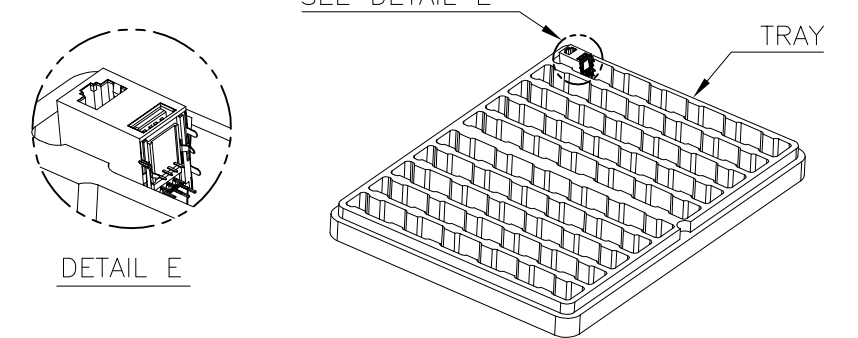
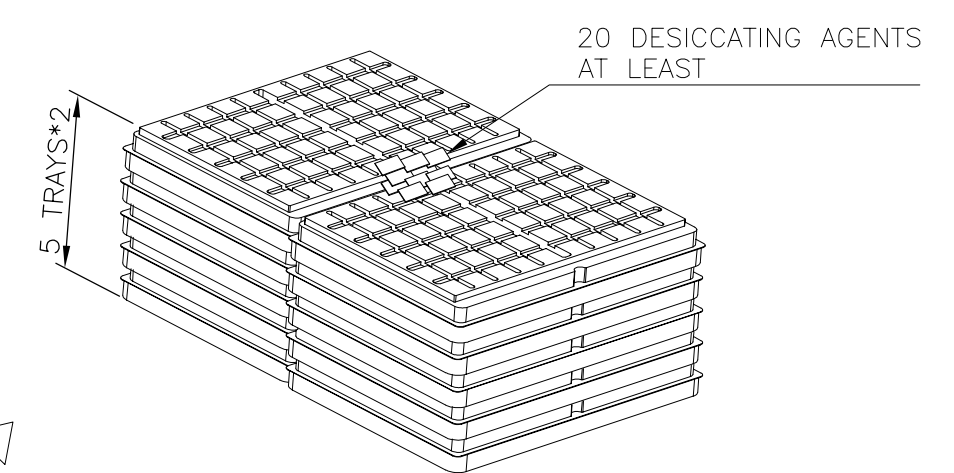
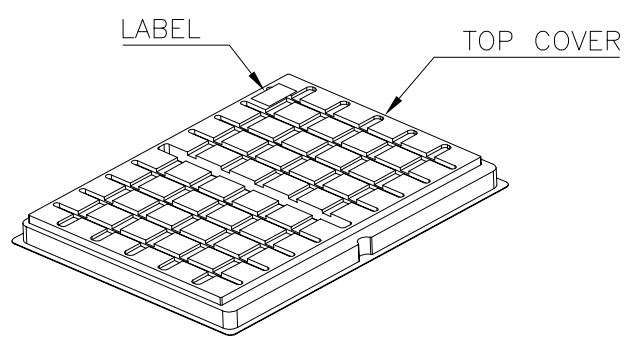
C

B

B

A

A



9.10KG	7.10KG	50	10	500	1909119-1
GROSS WEIGHT	NET WEIGHT	PCS/TRAY	TRAY/BOX	PCS/BOX	PART NUMBER

NOTE:
 1. MATERIAL:
 1.1 TRAY & TOP COVER: PET.
 1.2 BOX: CORRUGATED PAPER.
 2. EACH BAG SHALL BE INCLUDED:
 *DESICCANT

THIS DRAWING IS A CONTROLLED DOCUMENT.		DWN	STE TE Connectivity		
DIMENSIONS: mm		CHK			
TOLERANCES UNLESS OTHERWISE SPECIFIED:		APVD	NAME		
0 PLC ± -		PRODUCT SPEC	MODULAR JACK CONNECTOR OVER USB CONNECTOR STACKED, DIP TYPE		
1 PLC ± 0.3		APPLICATION SPEC	SIZE	CAGE CODE	DRAWING NO
2 PLC ± 0.2		WEIGHT	A3	00779	C-1909119
3 PLC ± 0.15		CUSTOMER DRAWING	SCALE	SHEET	REV
4 PLC ± -			-	5 of 6	C
ANGLES ± 3'					
MATERIAL	FINISH				

4

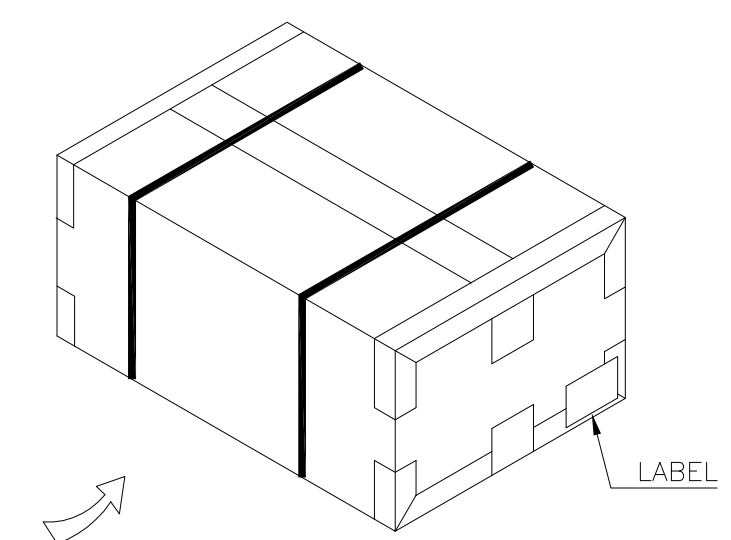
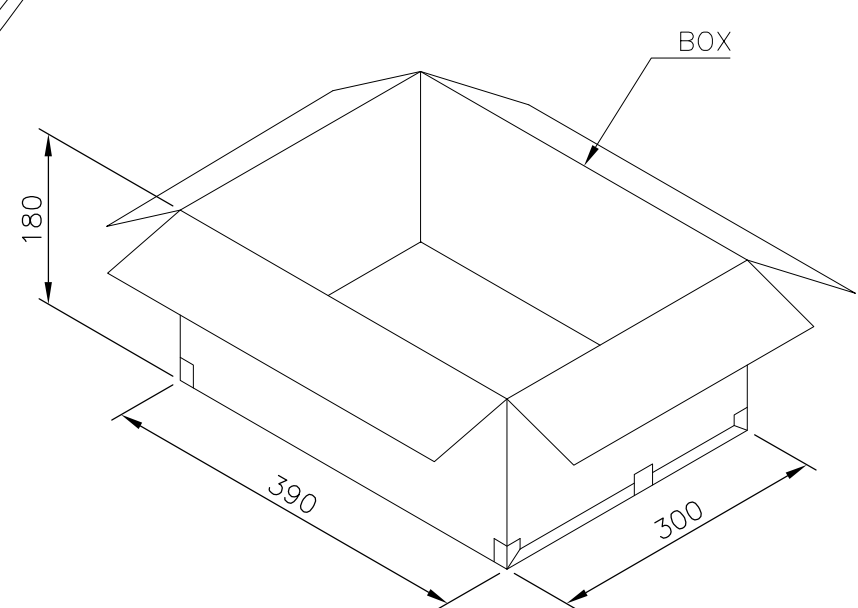
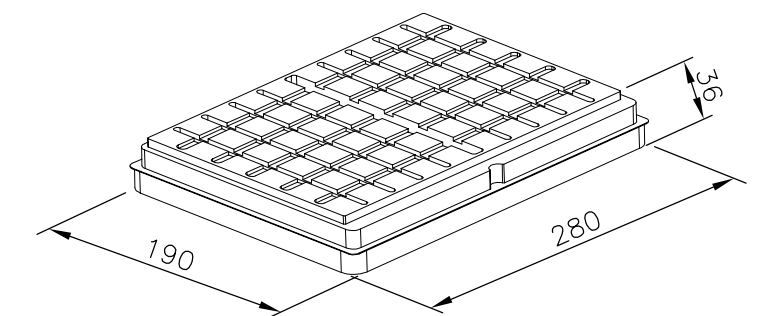
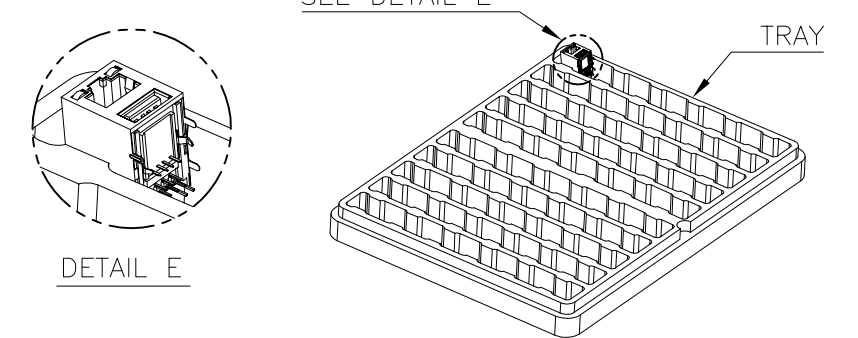
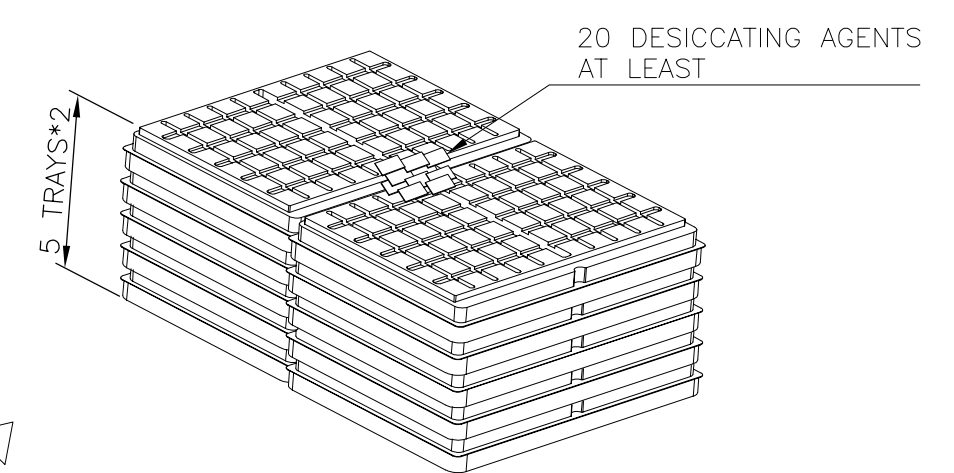
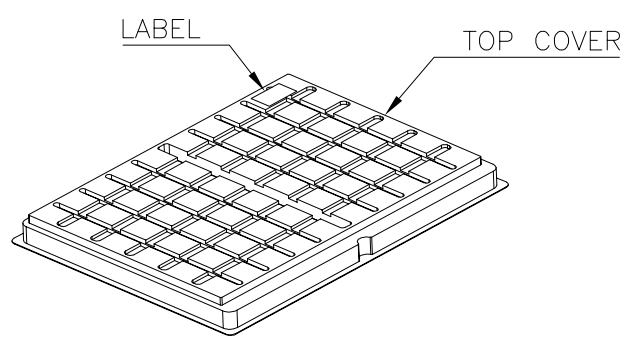
3

2

1

THIS DRAWING IS UNPUBLISHED. RELEASED FOR PUBLICATION
 © COPYRIGHT 2011 BY TYCO ELECTRONICS CORPORATION. ALL RIGHTS RESERVED.

LOC	DIST	REVISIONS					
DW		P	LTR	DESCRIPTION	DATE	DWN	APVD
				SEE SHEET 1.			



8.60 KG	6.55 KG	50	10	500	2-1909119-4
8.60 KG	6.55 KG	50	10	500	1-1909119-4
8.00 KG	6.05 KG	50	10	500	1909119-4
GROSS WEIGHT	NET WEIGHT	PCS/TRAY	TRAY/BOX	PCS/BOX	PART NUMBER

NOTE:

- 1. MATERIAL:
 - 1.1 TRAY & TOP COVER: PET.
 - 1.2 BOX: CORRUGATED PAPER.
- 2. EACH BAG SHALL BE INCLUDED:
 - *DESICCANT

THIS DRAWING IS A CONTROLLED DOCUMENT.		DWN	TE Connectivity NAME MODULAR JACK CONNECTOR OVER USB CONNECTOR STACKED, DIP TYPE				
DIMENSIONS: mm		CHK					
TOLERANCES UNLESS OTHERWISE SPECIFIED:		APVD					
0 PLC ± - 1 PLC ± 0.3 2 PLC ± 0.2 3 PLC ± 0.15 4 PLC ± - ANGLES ± 3°		PRODUCT SPEC					
MATERIAL		FINISH	APPLICATION SPEC	SIZE	CAGE CODE	DRAWING NO	RESTRICTED TO
			WEIGHT	A3	00779	C-1909119	
CUSTOMER DRAWING			SCALE	SHEET	6 OF 6	REV	C

Mouser Electronics

Authorized Distributor

Click to View Pricing, Inventory, Delivery & Lifecycle Information:

[TE Connectivity:](#)

[1909119-4](#)