

PLEASE CHECK WWW.MOLEX.COM FOR LATEST PART INFORMATION

Part Number: [0511920600](#)
Status: **Active**
Overview: [HMC Heavy Duty Rectangular Connectors](#)
Description: [HMC Rectangular Industrial Male Housing, Multi-Module Type, 6 Circuits](#)

Documents:

[3D Model](#) [Application Specification AS-58696-004-001 \(PDF\)](#)
[Drawing \(PDF\)](#) [RoHS Certificate of Compliance \(PDF\)](#)
[Product Specification PS-58691-004-001 \(PDF\)](#)

Agency Certification

CSA LR19980
 UL E29179

General

Product Family I/O Connectors
 Series [51192](#)
 Application Panel-Mount
 Component Type Housing
 Overview [HMC Heavy Duty Rectangular Connectors](#)
 Product Name HMC
 Type N/A
 UPC 800753968615

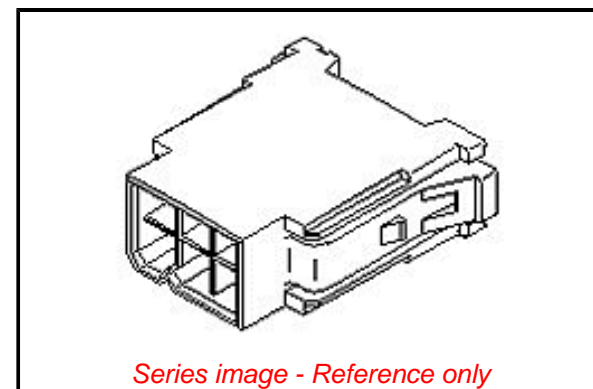
Physical

Boot Color N/A
 Circuits (Loaded) N/A
 Circuits (maximum) 6
 Color - Resin Natural
 Durability (mating cycles max) 50
 Flammability 94V-0
 Gender Male
 Lock to Mating Part Yes
 Material - Plating Mating N/A
 Material - Resin Nylon
 Net Weight 3346.600/mg
 Number of Rows 2
 Orientation Vertical
 PCB Locator No
 Packaging Type Bag
 Panel Mount N/A
 Pitch - Mating Interface 4.20mm
 Pitch - Termination Interface 4.20mm
 Polarized to Mating Part Yes
 Polarized to PCB N/A
 Ports 1
 Surface Mount Compatible (SMC) No
 Temperature Range - Operating -55° to +125°C
 Termination Interface: Style N/A
 Waterproof / Dustproof No

Electrical

Current - Maximum per Contact N/A
 Shielded No
 Voltage - Maximum 250V AC / 300V DC

Material Info



Series image - Reference only

EU ELV

Not Relevant

EU RoHS

Compliant

REACH SVHC

Not Contained Per -
 ED/71/2019 (16 July
 2019)

Halogen-Free

Status

Not Low-Halogen

For more information, please visit [Contact US](#)

China ROHS

ELV

RoHS Phthalates

China RoHS

Green Image

Not Relevant

Not Contained

Search Parts in this Series

[51192 Series](#)

Mates With

[511930600 Housing](#)

Use With

[58687 Hood Bracket](#) and [58691 PanelMount Bracket](#), [5558 GSX Terminal](#)

Reference - Drawing Numbers

Application Specification

Product Specification

Sales Drawing

AS-58696-004-001

PS-58691-004-001

SD-51192-002

This document was generated on 09/18/2019

PLEASE CHECK WWW.MOLEX.COM FOR LATEST PART INFORMATION

Mouser Electronics

Authorized Distributor

Click to View Pricing, Inventory, Delivery & Lifecycle Information:

[Molex:](#)

[51192-0600](#)