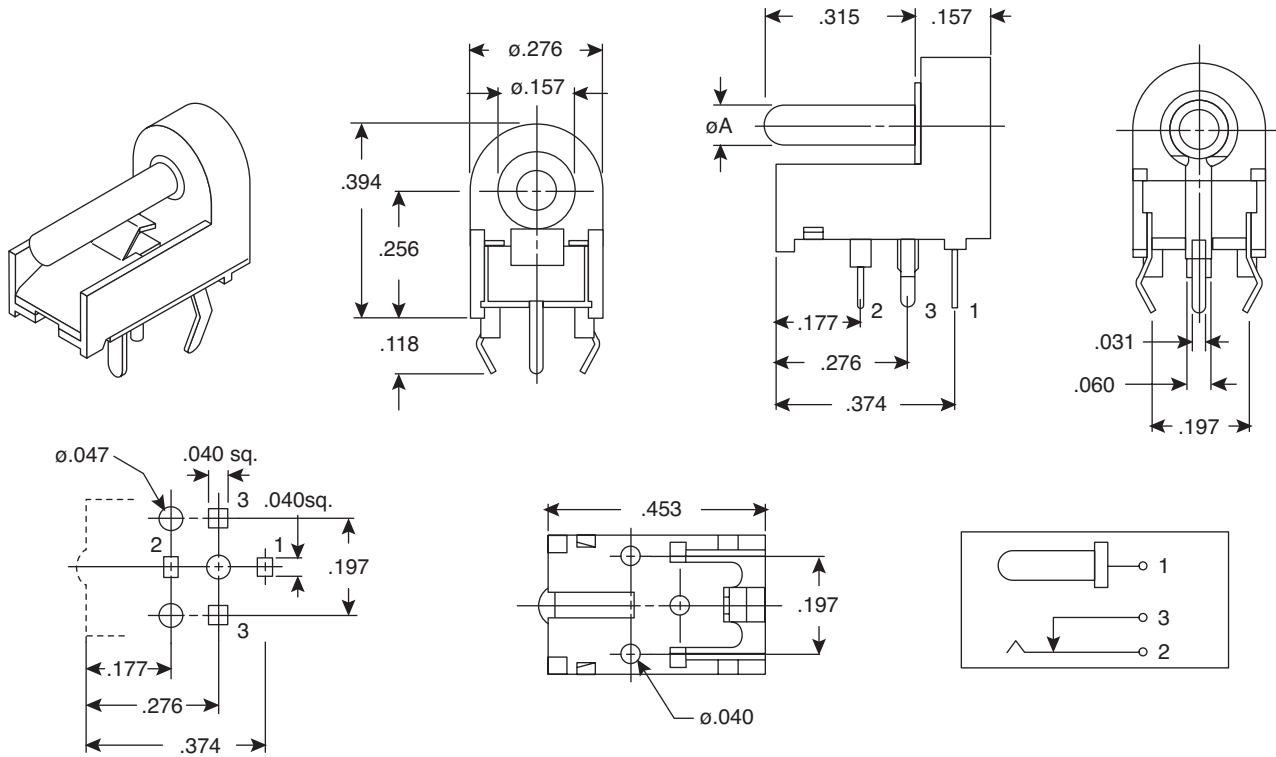


Jacks

163-5010-E, 163-5011-E



Jacks



DIMENSIONS: In.

SPECIFICATIONS

Insulation resistance:	50M Ω min. @ 500VDC
Dielectric strength:	250VAC for 1 minute
Contact resistance:	30m Ω max.
Housing material:	PBT
This product should not be washed by a chloride	
RoHS Compliant	

Mouser Stock No.	Center Pin (A)
163-5010-E	2.0+0 -.05mm
163-5011-E	2.49+0 -.05mm

Date Last Revised: 8-23-06

Available from Mouser Electronics
1-800-346-6873
www.mouser.com

KC-301049

163-5010-E, 163-5011-E

Mouser Electronics

Authorized Distributor

Click to View Pricing, Inventory, Delivery & Lifecycle Information:

[Kobiconn:](#)

[163-5010-E](#) [163-5011-E](#)