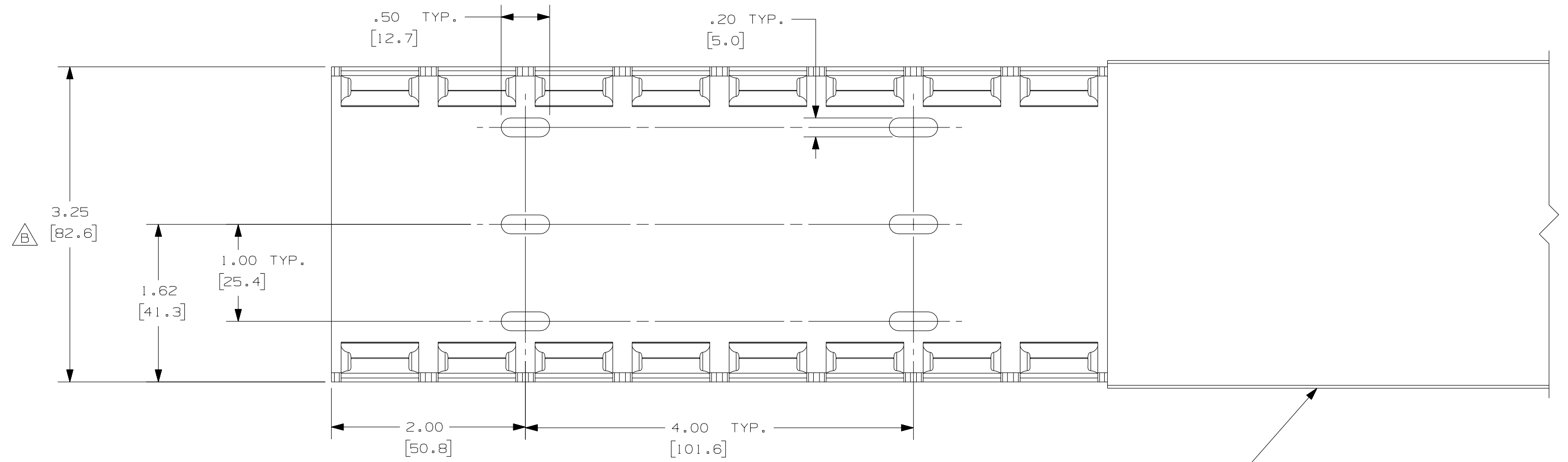
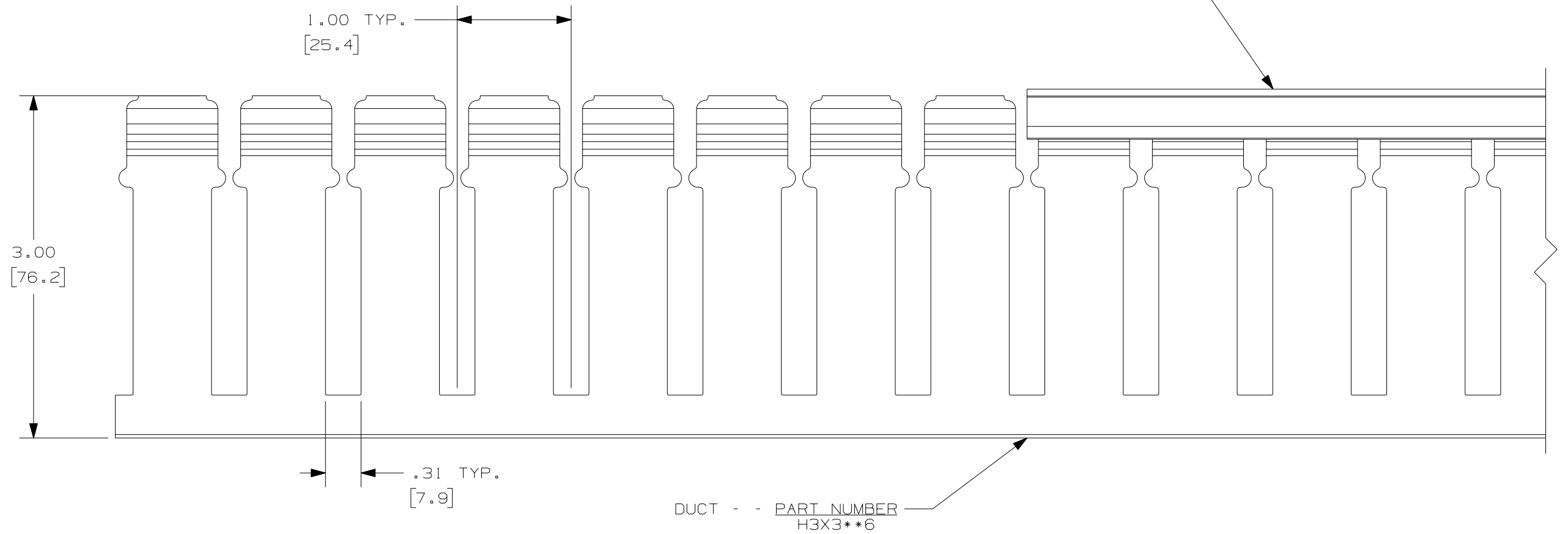
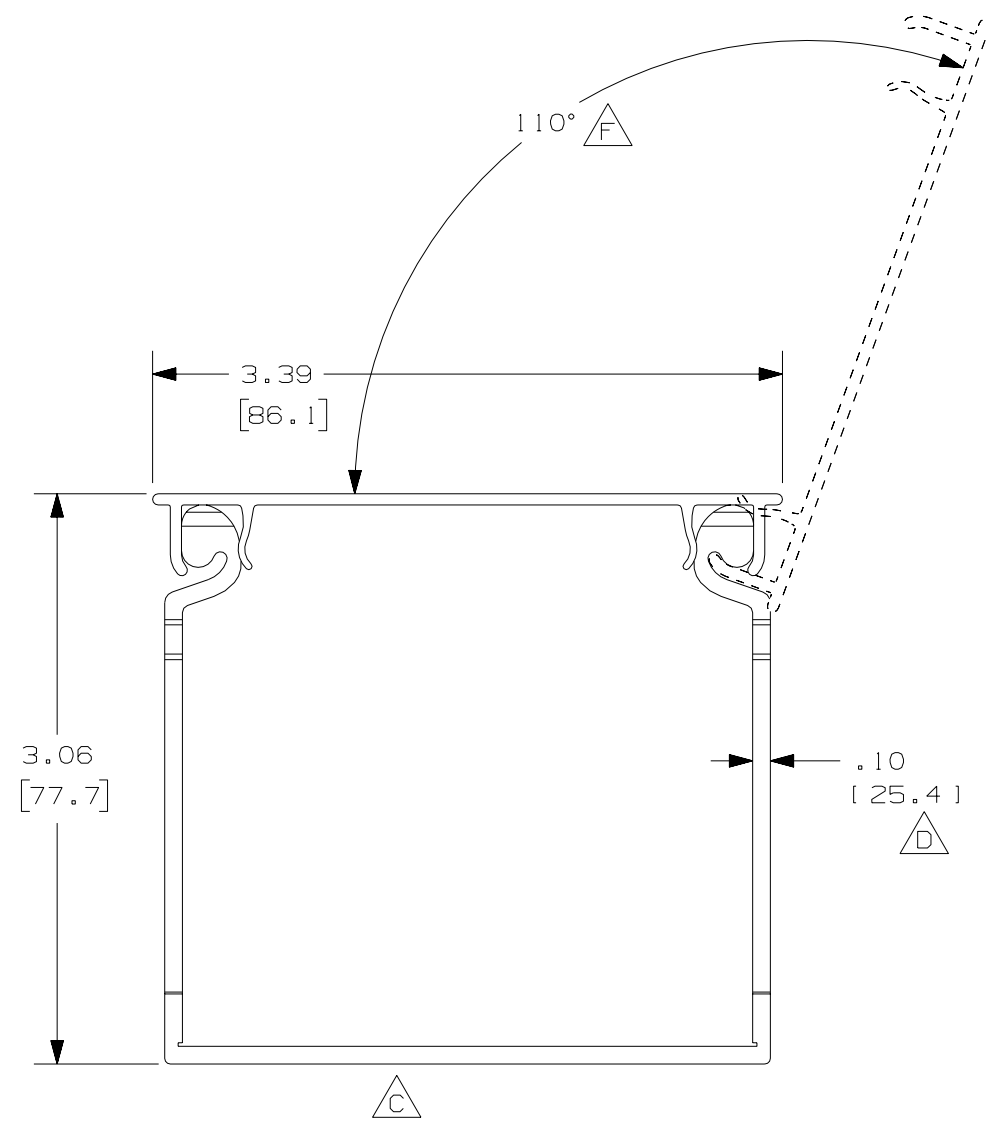


THIS COPY IS PROVIDED ON A RESTRICTED BASIS AND IS NOT TO BE USED IN ANY WAY DETRIMENTAL TO THE INTERESTS OF PANDUIT CORP.



COVER - - PART NUMBER
HC3**6



DUCT - - PART NUMBER
H3X3**6

A

NOTES:

1. ALL DIMENSIONS ARE REFERENCE ONLY.
2. DIMENSIONS IN PARENTHESIS ARE METRIC.
3. THE ** DENOTE COLOR.
4. DUCT AND COVER ARE AVAILABLE IN 6 FT [1828.8] LENGTHS.

REV	DATE	BY	CHK	DESCRIPTION
2	8/3/07	JCSTMKBE		F. ADDED ANGLE DIMENSION E. ADDED LENGTH NOTE D. CORRECTED DIMENSION C. DELETED DIMENSIONS B. ADDED DIMENSION
1	4/8/05	JCSTMKBE		A. MODIFIED DRAWING
R	1/14/05	JCSTMKBE		DRAWING RELEASED

CAD FILENAME/LAYERS		D110000R_DC_01C	
PANDUIT CORP. TINLEY PARK, ILLINOIS			
WIRING DUCT - TYPE H DUCT WITH COVER 3 X 3 MARKETING DRAWING			
DRWN BY JCST	MAT'L: PVC	SCALE FULL	DWG C
DATE 1/14/05	CHECKED BY MKBE	DRAWING NO. 36897-1027	SIZE C

A

Mouser Electronics

Authorized Distributor

Click to View Pricing, Inventory, Delivery & Lifecycle Information:

[Panduit:](#)

[H3X3BL6](#) [H3X3WH6](#)