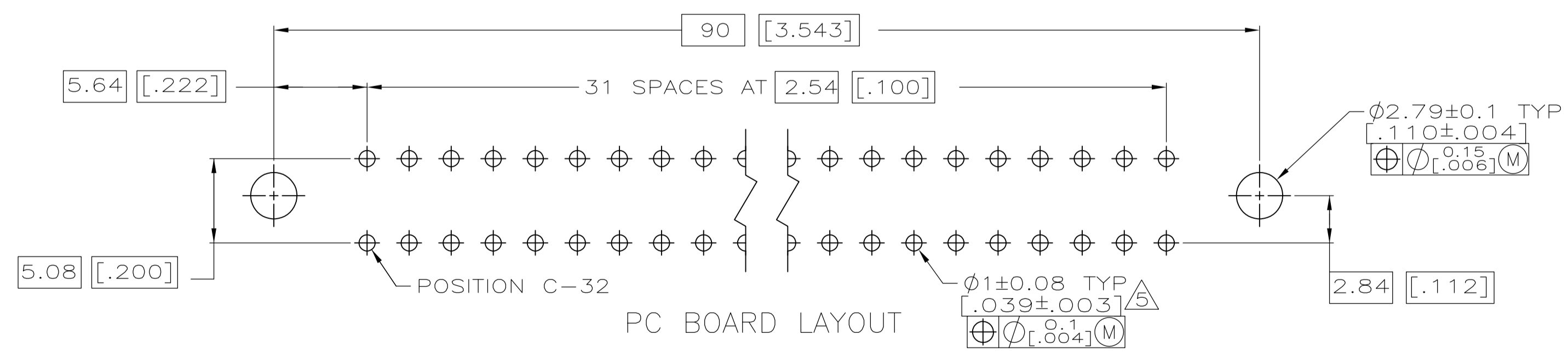
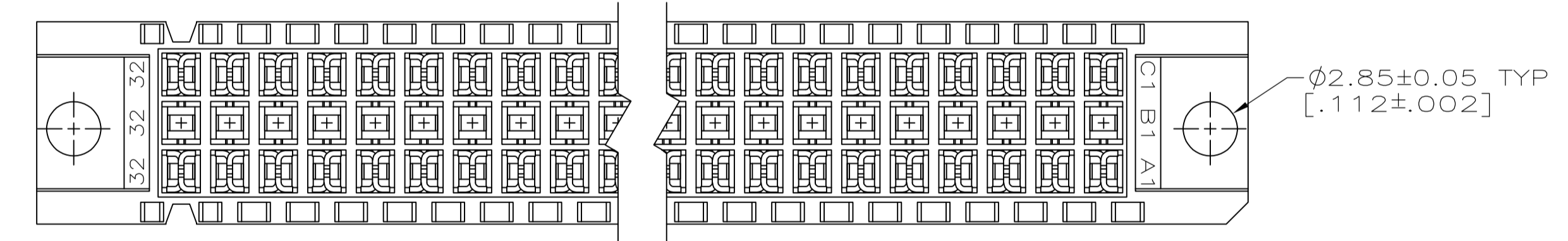
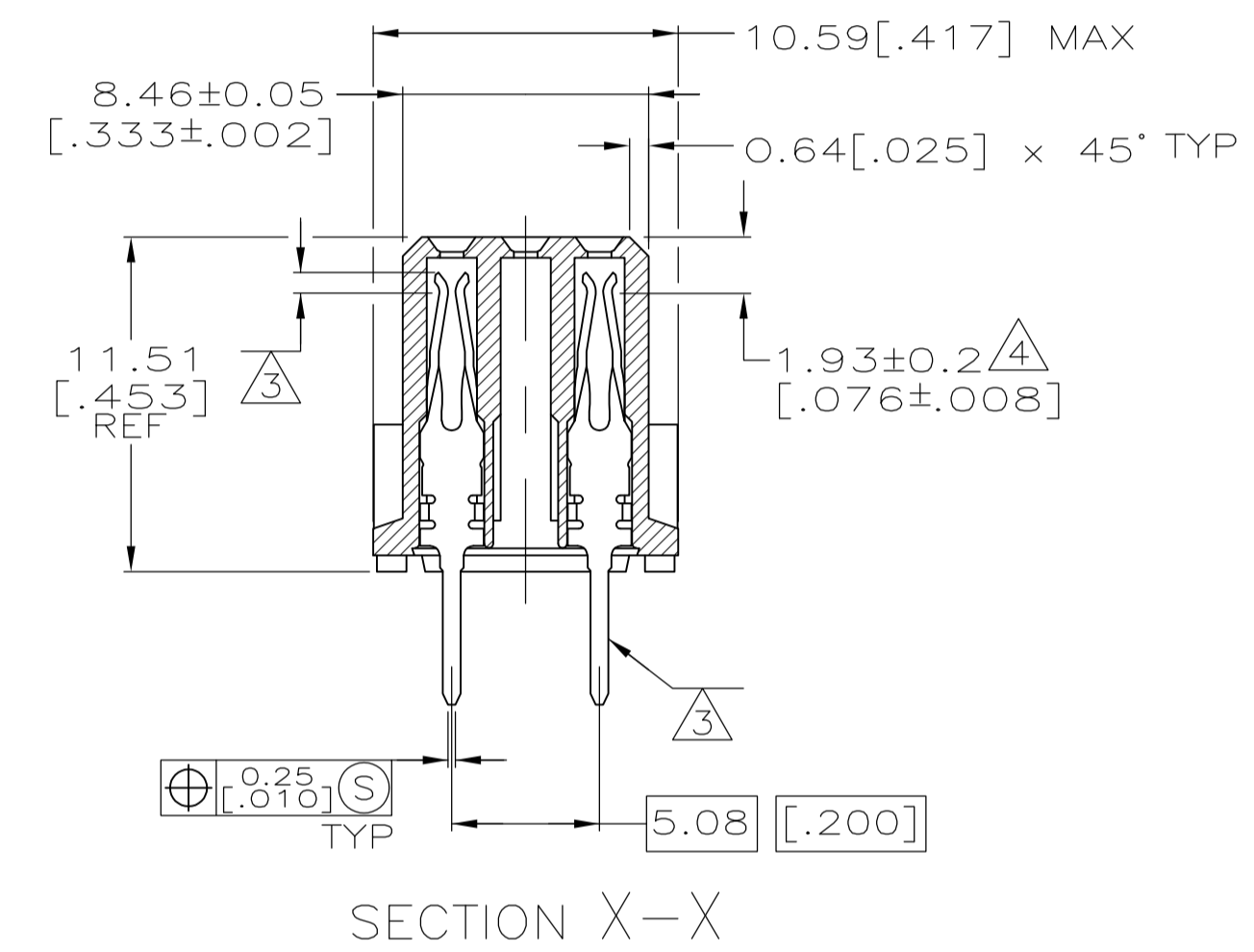
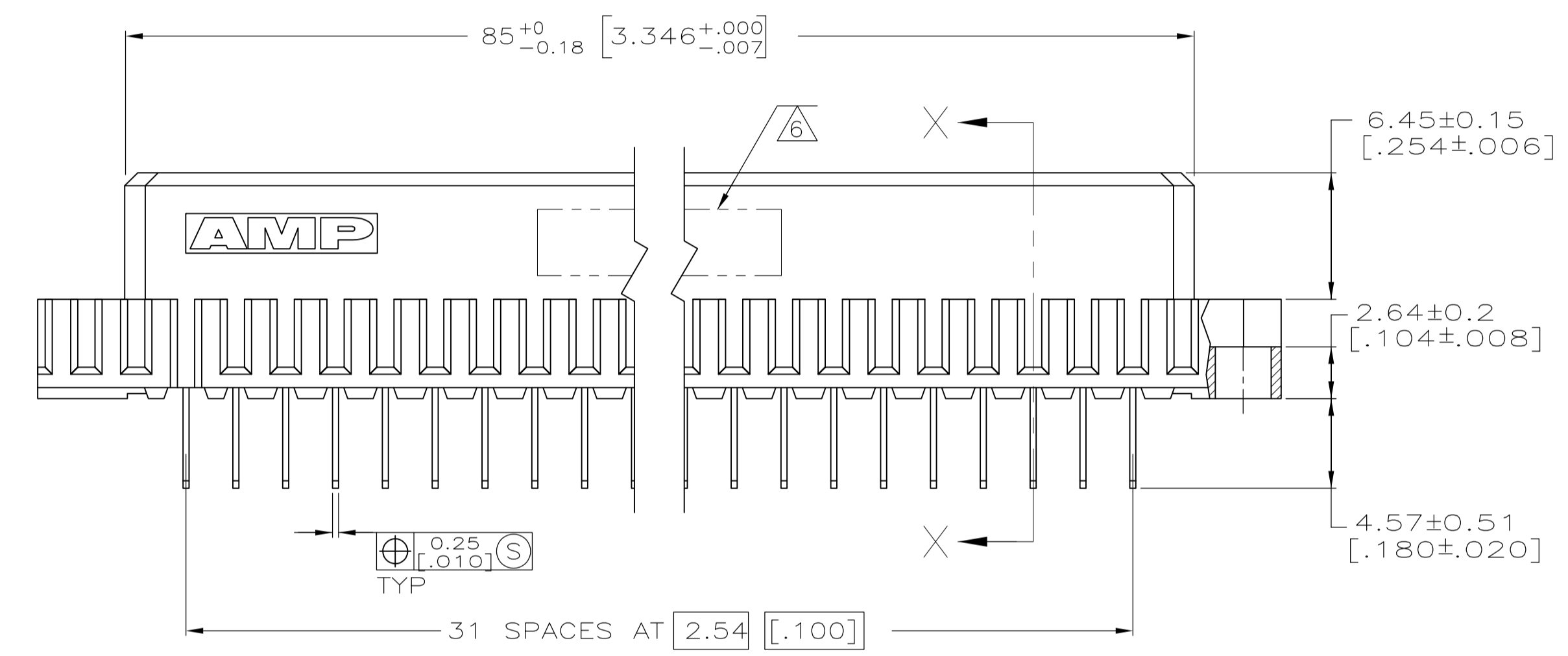
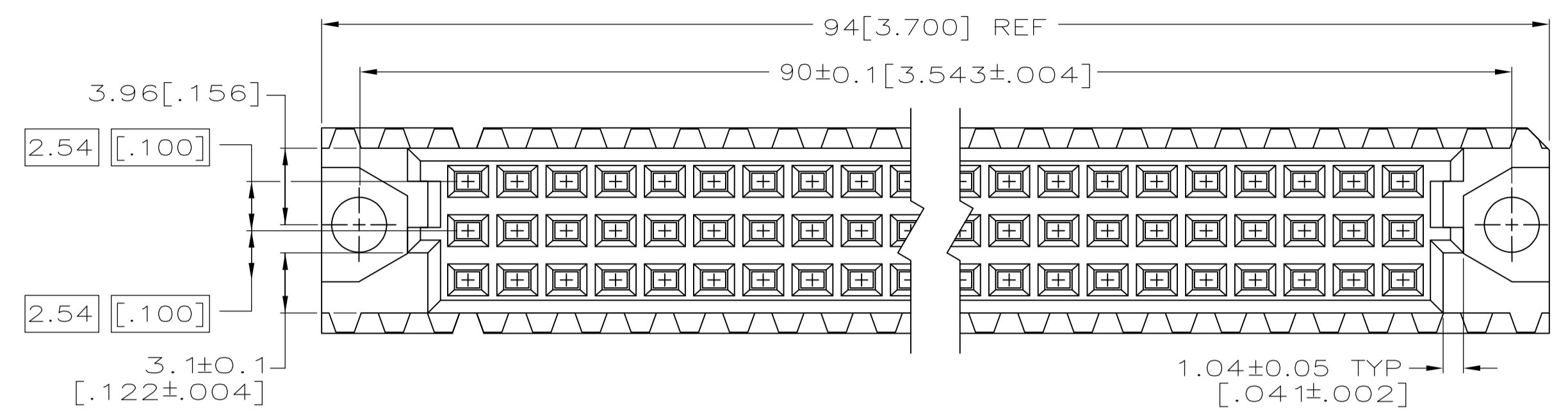


- ① HOUSING MATERIAL: GLASS-FILLED POLYMER.
- ② CONTACT MATERIAL: COPPER ALLOY.
- ③ CONTACT FINISH: DIN 41612 CLASS 2 IN CONTACT AREA. TIN PLATE ON POSTS.
- ④ CONTACT POINT.
- ⑤ RECOMMENDED HOLE SIZE FOR MANUAL APPLICATION OF CONNECTOR ONTO PC BOARD.
- ⑥ PART NUMBER, DATE CODE IDENTIFICATION, CSA LOGO IN THIS APPROXIMATE AREA ON REVERSE SIDE.



③	1 THRU 32	X - X	64	5650408-5
③	1 THRU 32	X - X	64	5650408-4
FINISH	POSITIONS LOADED	ROWS LOADED	NO. OF LOADED POSITION	ASSY PART NUMBER

THIS DRAWING IS A CONTROLLED DOCUMENT.		DIN J. POLIGNONE 27MAY05		TE Connectivity	
DIMENSIONS: mm [INCHES]		CIK A. SHARPE 27MAY05			
TOLERANCES UNLESS OTHERWISE SPECIFIED:		APVD A. SHARPE 27MAY05		NAME ASSEMBLY, RECEPTACLE, EUROCARD, TYPE C, LEAD-FREE, A and C, 64/96 POSITION, 4.57[.180] SOLDER POSTS	
0 PLC ± -		APPLICATION SPEC		SIZE CAGE CODE DRAWING NO RESTRICTED TO	
1 PLC ± -		WEIGHT		A1 00779 C=5650408	
2 PLC ± 0.13[.005]		SCALE 4:1		SHEET 1 of 1	
3 PLC ± -		REV P			
4 PLC ± -					
ANGLES ± -					
MATERIAL					
FINISH					

Mouser Electronics

Authorized Distributor

Click to View Pricing, Inventory, Delivery & Lifecycle Information:

[TE Connectivity:](#)

[5650408-5](#)