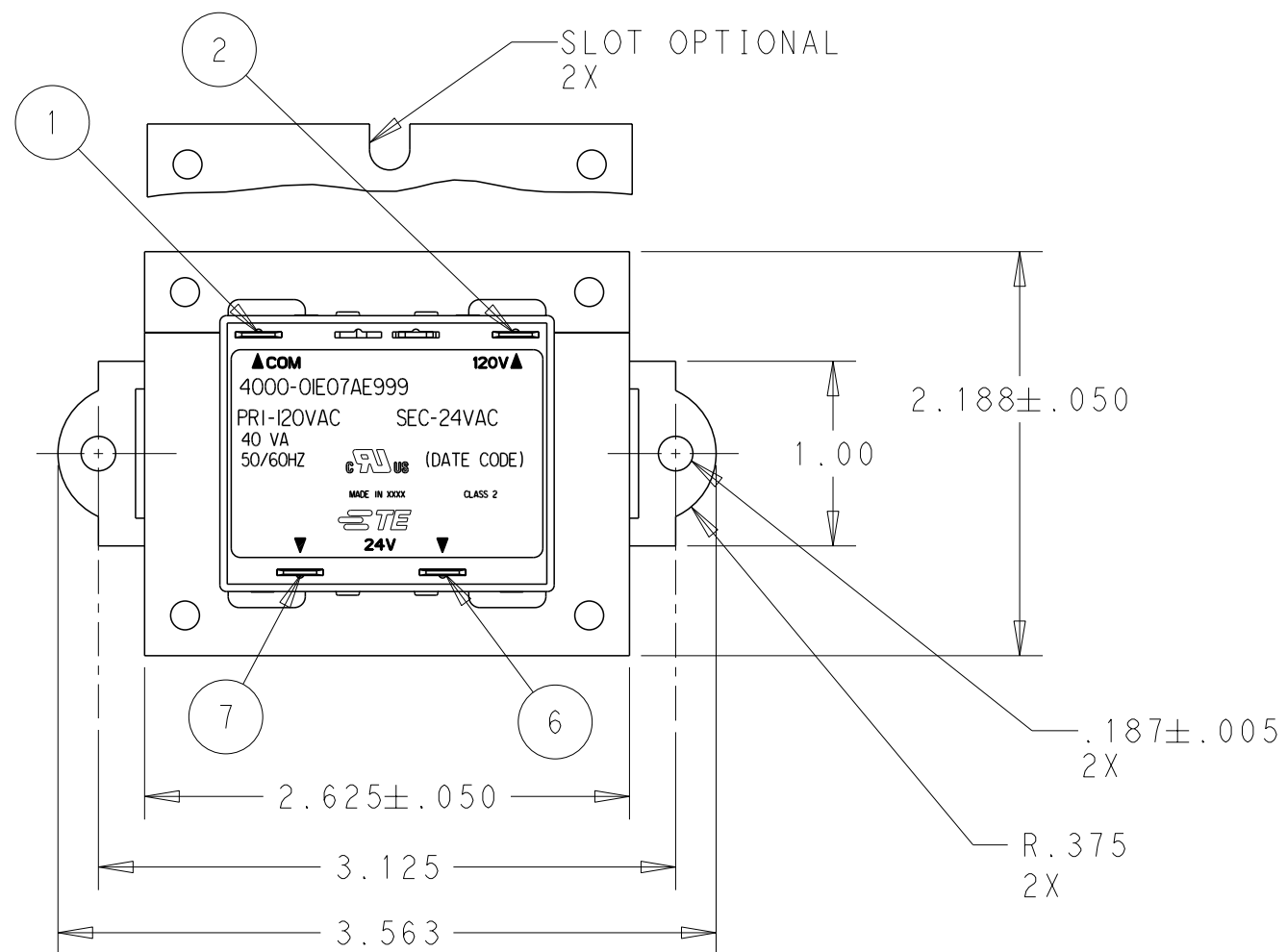


THIS DRAWING IS UNPUBLISHED. RELEASED FOR PUBLICATION 20

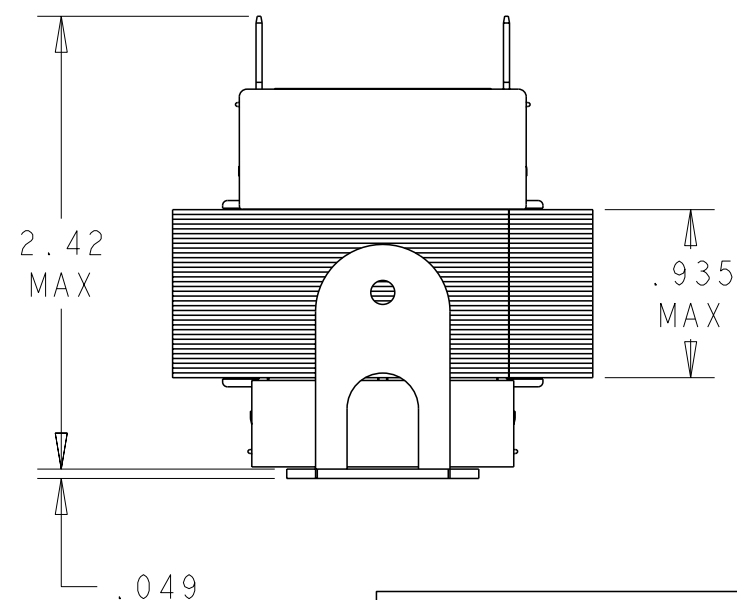
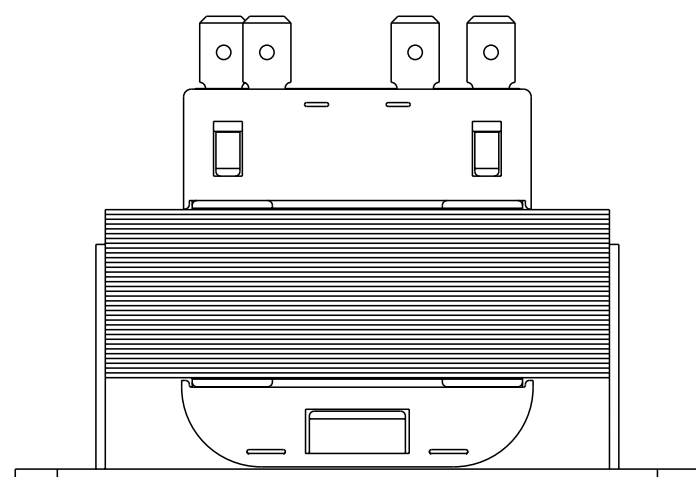
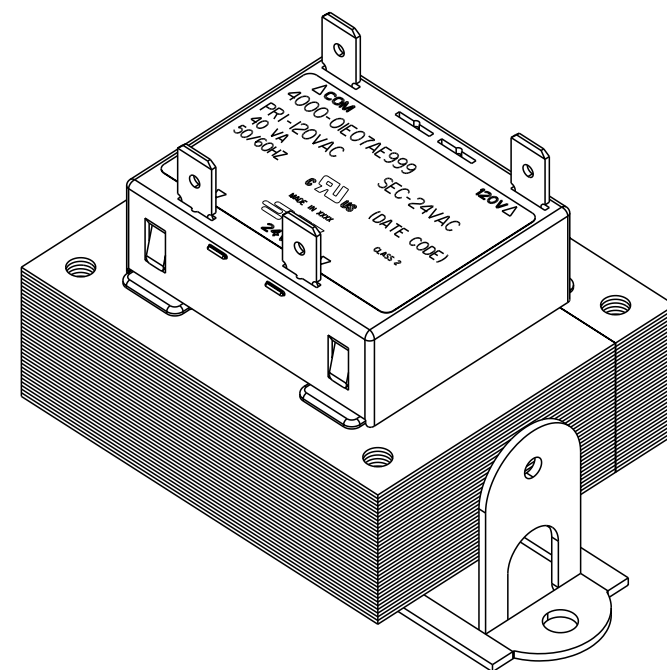
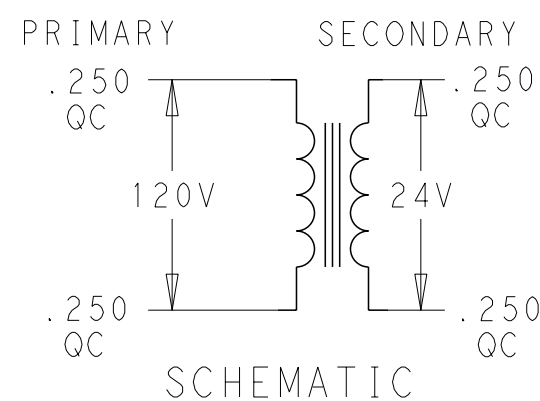
© COPYRIGHT 20 BY - ALL RIGHTS RESERVED.

LOC	DIST	REVISIONS					
GZ	00	P	LTR	DESCRIPTION	DATE	DWN	APVD
		D		ECR-16-001088	27JAN2016	VS	DB



CERTIFICATION: UL & CUL FILE NO. E87824					
PRIMARY			SECONDARY		
TERMINAL NO.	1	2	TERMINAL NO.	6	7
VOLTAGE	COM	120	VOLTAGE	24	VAC
TERM. WIDTH	.250	.250	TERM. WIDTH	.250	.250
TERM. THICKNESS	.032	.032	TERM. THICKNESS	.032	.032

1. WINDING PROTECTION: INHERENTLY LIMITING.



1-1611453-2
TE PART NO.

THIS DRAWING IS A CONTROLLED DOCUMENT.		DWN	VIC SLACK 09JUL2014		 TE Connectivity	NAME		TRANSFORMER OUTLINE	
DIMENSIONS: INCHES		CHK	D. BLOESCH 09JUL2014			-		-	
		APVD	D. BLOESCH 09JUL2014			-		-	
TOLERANCES UNLESS OTHERWISE SPECIFIED:		PRODUCT SPEC		-		-		-	
0 PLC ±- 1 PLC ±.1 2 PLC ±.03 3 PLC ±.015 4 PLC ±- ANGLES ±-		APPLICATION SPEC		-		-		-	
MATERIAL -		WEIGHT -		-		SIZE	CAGE CODE	DRAWING NO	RESTRICTED TO
FINISH -		Customer Drawing		-		A3	00779	4000-01E07AE999	-
		SCALE		1:1		SHEET		1 OF 1	
								REV D	

Mouser Electronics

Authorized Distributor

Click to View Pricing, Inventory, Delivery & Lifecycle Information:

[TE Connectivity:](#)

[4000-01E07AE999](#)