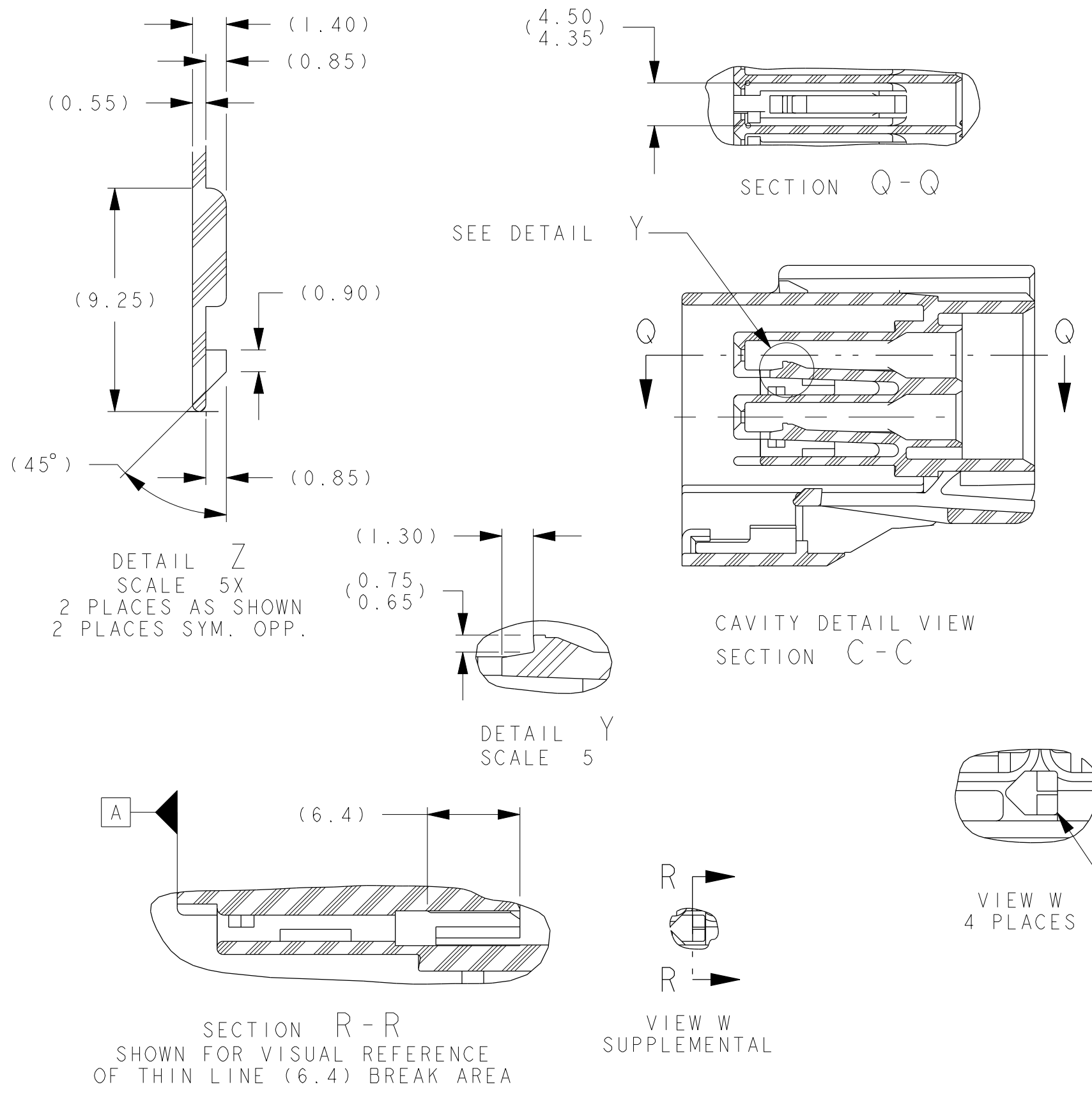
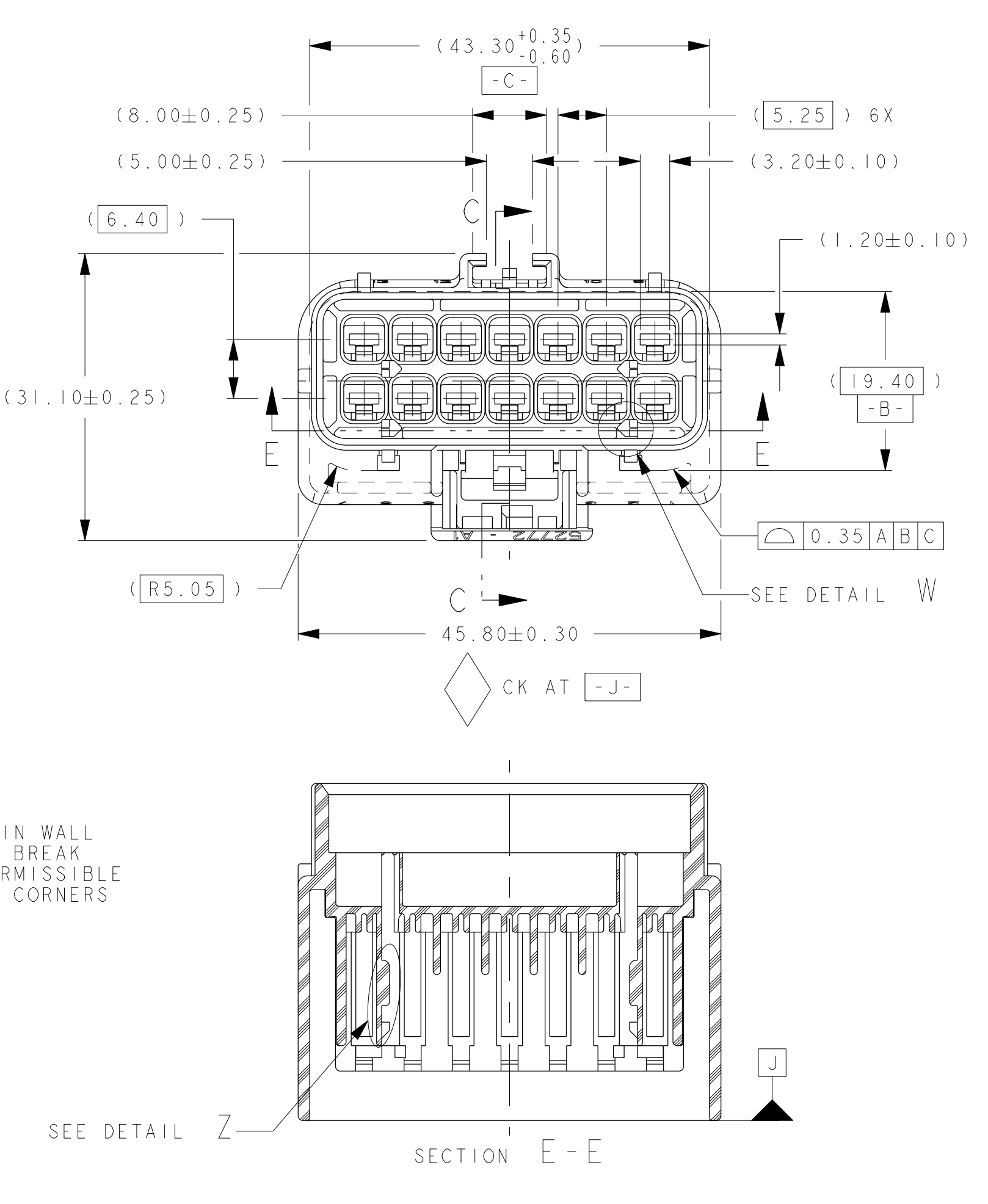


UNSEALED ASSEMBLY VIEWS (SKIRTLESS)

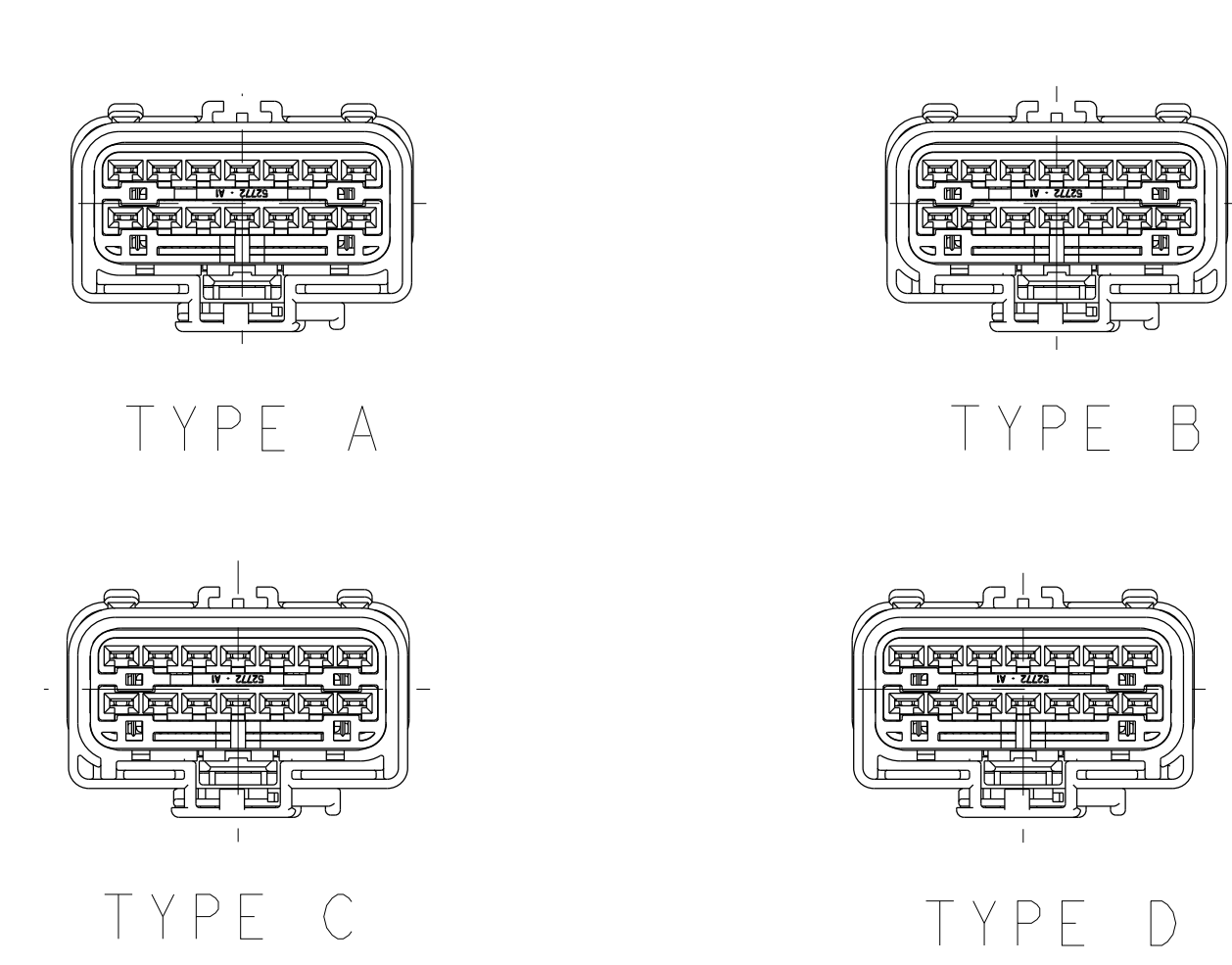
SIDE VIEW WITH FINGER GRIP



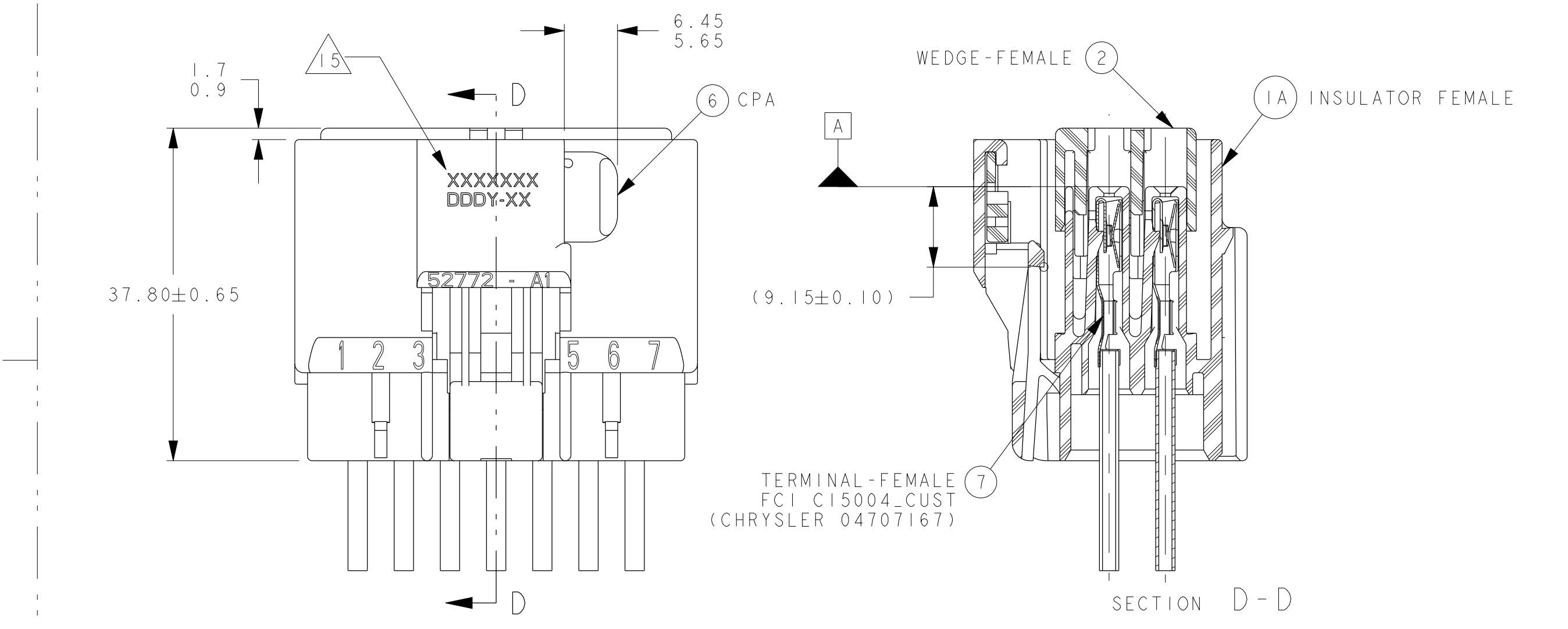
SEALED INSULATOR VIEWS FOR REFERENCE ONLY



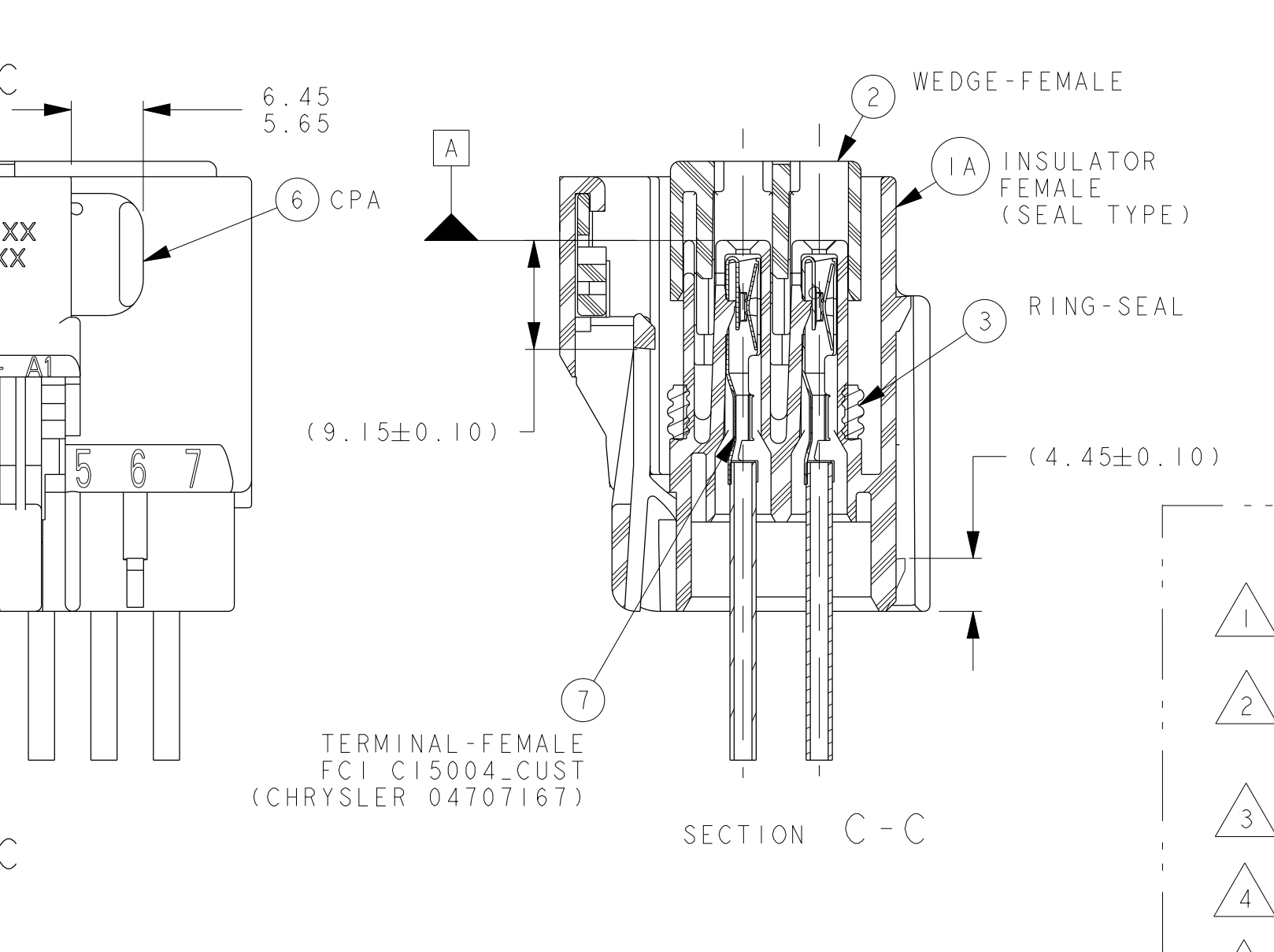
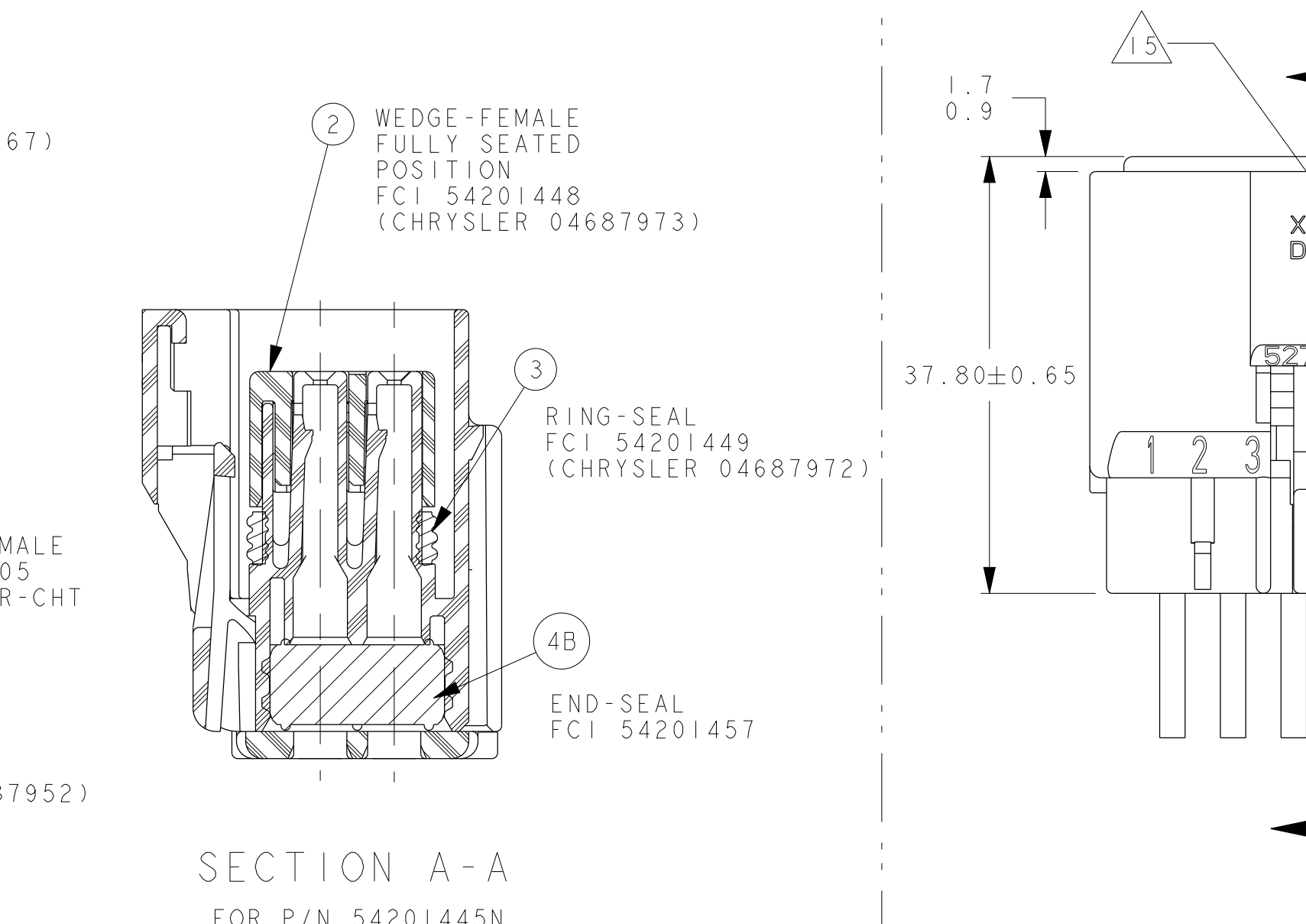
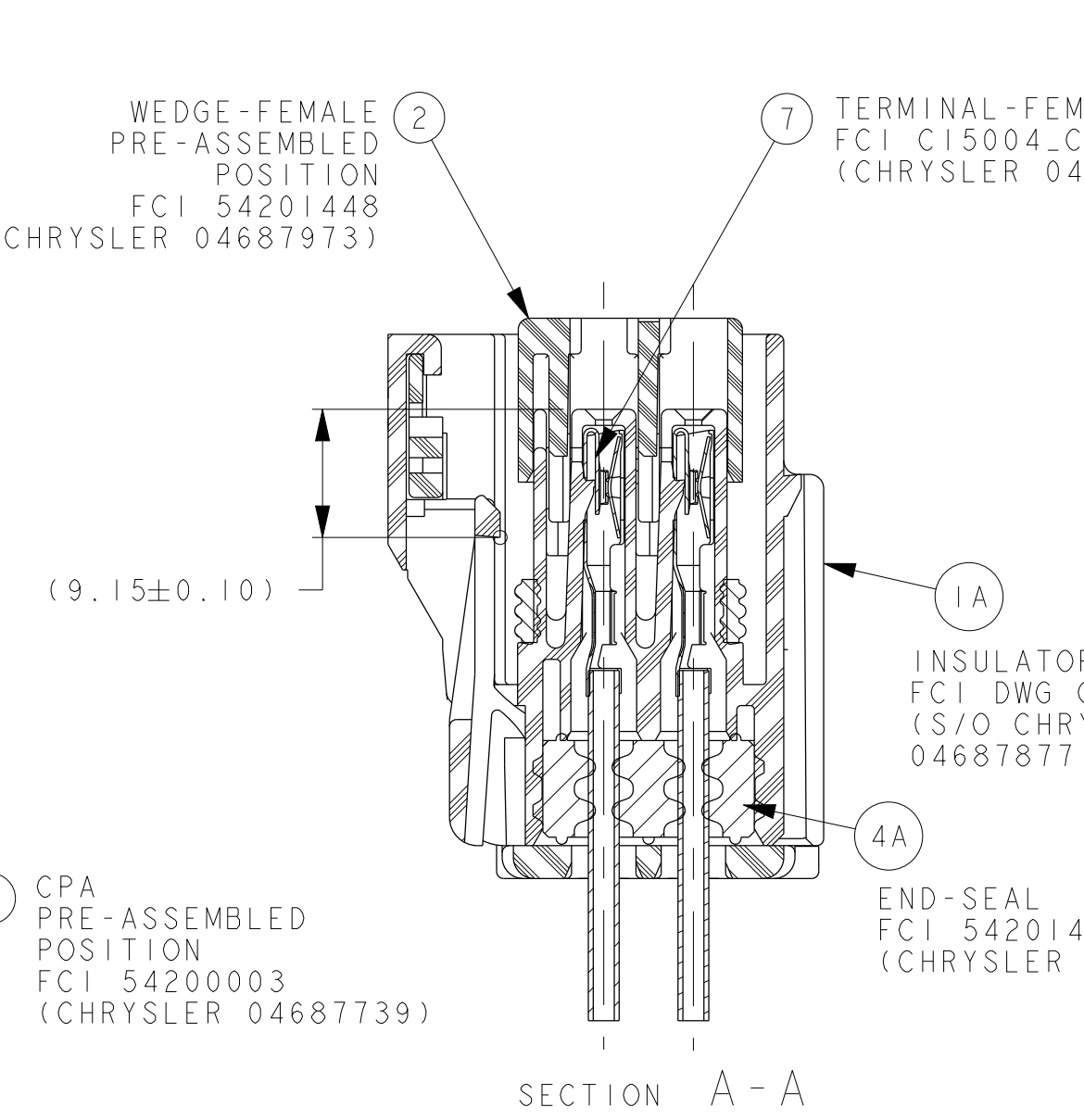
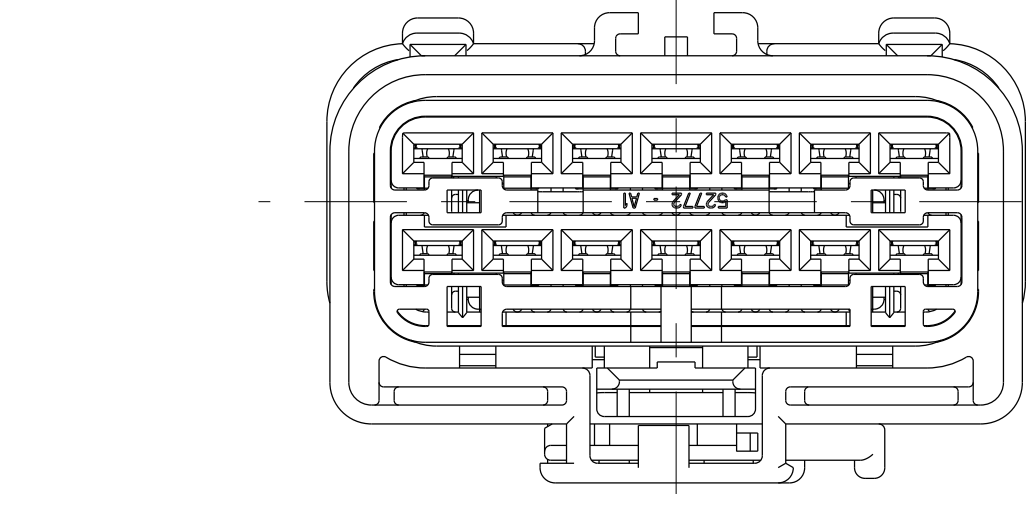
SEALED ASSEMBLY VIEW (PARTIALLY SEALED) SHIPPED WITHOUT END SEAL AND RETAINER



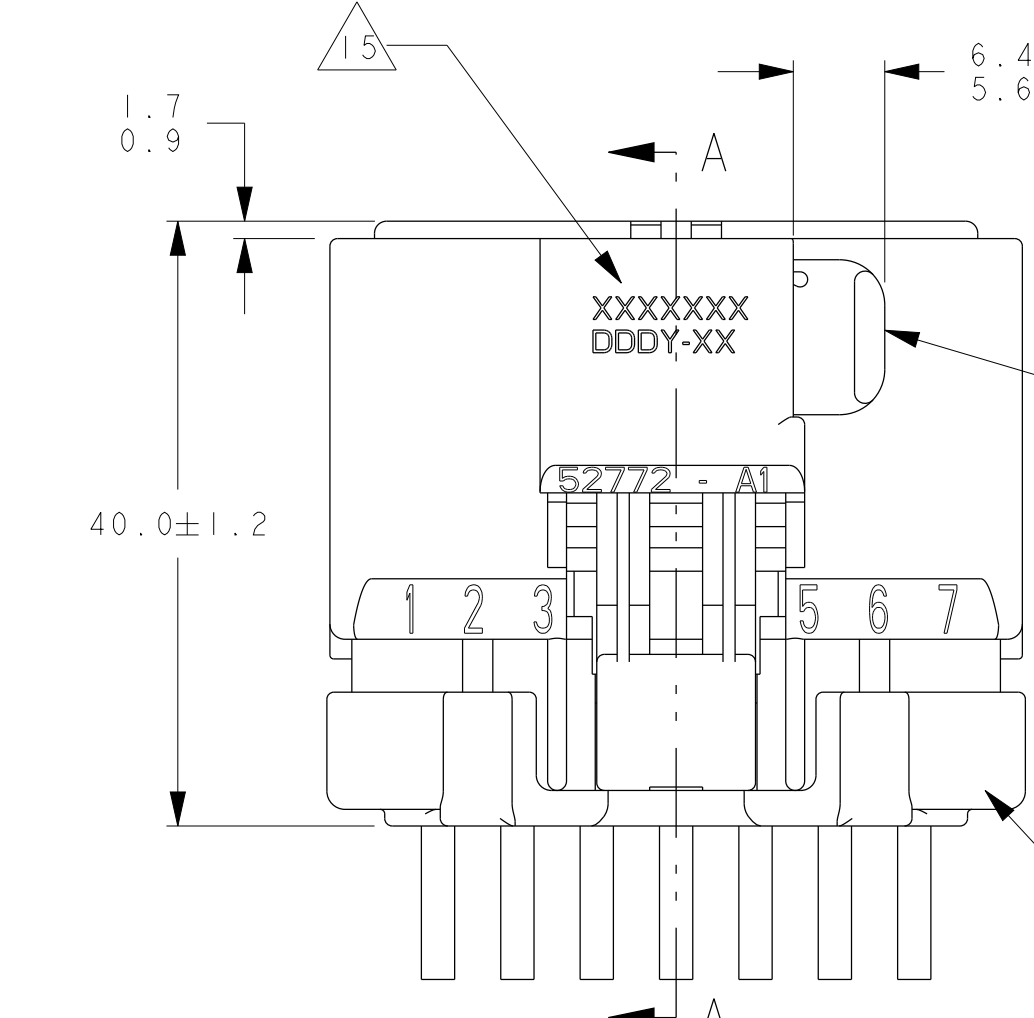
POLARIZATION OPTIONS FULL SIZE SHOWN WITH CPA



UNSEALED ASSEMBLY VIEW SEE PART NUMBER CHART



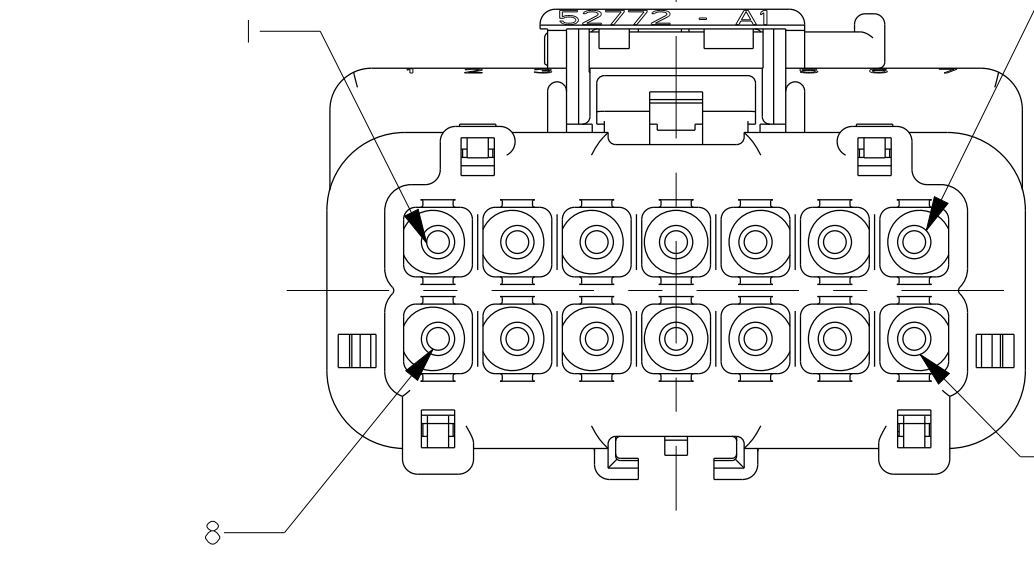
SEALED ASSEMBLY VIEW (PARTIALLY SEALED) SHIPPED WITHOUT END SEAL AND RETAINER



SECTION A-A

SECTION A-A FOR P/N 54201445N

SECTION C-C



SEALED ASSEMBLY VIEWS SEE PART NUMBER CHART

- NOTES:
- QUALITY ASSURANCE REQUIREMENTS PER CHRYSLER PS-7300-1 SPC DATA REQUIRED
 - ENGINEERING APPROVAL OF SUPPLIER SAMPLES IS REQUIRED PRIOR TO AUTHORIZATION OF PART PRODUCTION
 - CHANGES IN DESIGN COMPOSITION OR PROCESSING FROM THE PART PREVIOUSLY APPROVED FOR PART PRODUCTION REQUIRES PRIOR ENGINEERING APPROVAL
 - WIRING FABRICATORS MUST PURCHASE FROM SOURCES SHOWN
 - ALL THE SEALED APPLICATIONS WITH 54201450 END SEAL MUST BE USED WITH CHRYSLER WIRE SPEC. MS-8288 OR MS-9502 THIN WALL X-LINK 20,18,16,14 & 12 GAGE WIRES ONLY UNLESS OTHERWISE SPECIFIED (INSULATIONS Ø1.70 MIN TO Ø3.35 MAX.) ISO THIN WALL EQUIVALENTS ALLOWED
 - P/N'S WITH C855900 END SEAL MUST BE USED WITH WIRE INSULATION RANGE FROM Ø1.90MIN TO 3.70MAX (18AWG TO 12AWG OR 1mm² TO 4mm² ISO THIN WALL)
 - INSULATION RANGE FROM Ø1.90MIN TO 3.70MAX (18AWG TO 12AWG OR 1mm² TO 4mm² ISO THIN WALL)
 - INSULATION CRIMP WIDTH = 4.50
INSULATION CRIMP HEIGHT = 4.50
INSULATION DIA. = 4.09 (10 GA THIN WALL)
 - USE WITH CAVITY PLUG FCI P/N 54200005 (C) 56038308 ON SKIRTED PARTS ONLY WHEN REQUIRED
USE WITH DOUBLE X-MAS TREE CLIP P/N (C) 04707091 WHEN REQUIRED
USE WITH DOUBLE X-MAS TREE CLIP P/N (C) 04625797 WHEN REQUIRED
USE WITH 2.80MM APEX FEMALE TERMINAL PER C15004-CUST SYMMETRICAL ABOUT CENTERLINE FOR 180° ORIENTATION
 - DIRECT CONNECT DRAWING NO. H36014 (CHRYSLER 04707029)
 - TEST METHOD PER CHRYSLER PERFORMANCE SPEC SAE/USCAR-2 REV 5. CONNECTOR ENGAGE & DISENGAGE WITH LATCH DEPRESSION FORCE NOT TO EXCEED 142N FOR THIS SYSTEM
PRESSURE 3 PSI (22 KPA) PER PF-752(T)
CPA SEATING FORCES - 40N MAX
WEDGE SEATING FORCES - 142N MAX
X-MAS TREE CLIP INSERTION FORCES - 75N MAX
 - SUPPLIER I.D. SINGIFIES TOOL OWNERSHIP, FOR REFERENCE
 - ANNUAL QUALITY REQUIREMENTS:
IT IS PERMISSIBLE TO PERFORM CONTINUOUS CONFORMANCE PER FCI SPECIFICATION #A0-001 INSTEAD OF ANNUAL LAYOUT & ANNUAL PV REQUIREMENTS OF QS-9000 SECTION 2 & SAE/USCAR-2 REV 5

MATING PART NUMBER CHART						
INDEX TYPE	COLOR	SEALED / UNSEALED	FCI	CUSTOMER	OTHER CUSTOMERS	
D	NATURAL	UNSEALED	54201452N	N/A	N/A	
		UNSEALED	54201452	(C) 04688345AA	N/A	
		UNSEALED	54201467	N/A	N/A	
		UNSEALED	54201403N	N/A	N/A	
		UNSEALED	54201403	(C) 04687932	YNA 7283-4649	
		SEALED	54201414N	N/A	N/A	
	C	DK GREY	UNSEALED	54201402N	N/A	N/A
			UNSEALED	54201402	(C) 04687931	YNA 7283-4648-10
			SEALED	54201413N	N/A	N/A
			SEALED	F371010	N/A	N/A
			SEALED	F366900	N/A	N/A
			SEALED	54201413	(C) 04687927	YNA 7283-4748-10
B	LT GREY	UNSEALED	54201401N	N/A	N/A	
		UNSEALED	54201401	(C) 04687930	YNA 7283-4647-40	
		SEALED	54201412N	N/A	N/A	
		SEALED	F271010	N/A	N/A	
		SEALED	F266900	N/A	N/A	
		SEALED	54201412	(C) 04687926	YNA 7283-4645-40	
	A	BLACK	UNSEALED	54201422N	N/A	N/A
			UNSEALED	54201442	(C) 04688197AA	N/A
			UNSEALED	54201400N	N/A	N/A
			UNSEALED	54201400	(C) 04687929	YNA 7283-4644-30
			SEALED	54201411	(C) 04687925	YNA 7283-4641-30
			SEALED	54201419N	(C) *04707442	YNA 7283-4746-30
A	BLACK	SEALED	54201443	(C) *04759591AA	YNA 7283-4341-30	
		SEALED	54201445N	(C) 04707405	N/A	
		SEALED	F166900	N/A	N/A	
		SEALED	54201456N	N/A	(GM) 15125233	
		UNSEALED	54201456N	N/A	(GM) 15125233	
		UNSEALED	54201411N	N/A	N/A	
		UNSEALED	54201411	(C) 04687935	N/A	
		UNSEALED	54201411	(C) 04687935	N/A	
		UNSEALED	54201411	(C) 04687935	N/A	
		UNSEALED	54201411	(C) 04687935	N/A	
		UNSEALED	54201411	(C) 04687935	N/A	

ASSEMBLY PART NUMBERS				
FCI P/N'S (CUSTOMER P/N'S) OTHER CUST P/N'S	UNSEALED		SEALED	
	W/O CPA	W/CPA	W/CPA	W/O CPA
54201453N	N/A	N/A	N/A	N/A
54201452N	N/A	N/A	N/A	N/A
54201442N	N/A	N/A	N/A	N/A
54201400N	N/A	N/A	N/A	N/A
54201401N	N/A	N/A	N/A	N/A
54201402N	N/A	N/A	N/A	N/A
54201403N	N/A	N/A	N/A	N/A
54201452	N/A	N/A	N/A	N/A
54201452	(C) 04688345AA	YNA 7283-4747-40	N/A	N/A
54201442	(C) 04688197AA	N/A	N/A	N/A
54201400	(C) 04687929	YNA 7283-4644-30	N/A	N/A
54201401	(C) 04687930	YNA 7283-4647-40	N/A	N/A
54201402	(C) 04687931	YNA 7283-4648-10	N/A	N/A
54201403	(C) 04687932	YNA 7283-4649	N/A	N/A
54201467	N/A	N/A	N/A	N/A
54201411	(C) 04687925	YNA 7283-4641-30	N/A	N/A
F166900	N/A	N/A	N/A	N/A
54201412	(C) 04687926	YNA 7283-4645-40	N/A	N/A
F266900	N/A	N/A	N/A	N/A
54201413	(C) 04687927	YNA 7283-4748-10	N/A	N/A
F366900	N/A	N/A	N/A	N/A
54201414	(C) 04687928	YNA 7283-4749	N/A	N/A
54201443	(C) *04759591AA	YNA 7283-4341-30	N/A	N/A
54201410	N/A	N/A	N/A	N/A
54201419N	(C) *04707442	YNA 7283-4746-30	N/A	N/A
54201445N	(C) 04707405	(GM) 15125232	N/A	N/A
54201413N	N/A	N/A	N/A	N/A
54201414N	N/A	N/A	N/A	N/A

ITEM	FCI P/N	CHRYSLER P/N	PART NAME	MATERIAL	REQUIRED	
					UNSEALED	SEALED
(C)	54201432	(C) 04687804	SEALED, INDEX A; BLACK	PA66 GF		
(C)	54201433	(C) 04687954	SEALED, INDEX B; LT GRAY	PA66 GF		
(C)	54201434	(C) 04687955	SEALED, INDEX C; DK GRAY	PA66 GF		
(C)	54201435	(C) 04687956	SEALED, INDEX D; NATURAL	PA66 GF		
(C)	54201420	(C) 04707291	UNSEALED, INDEX A; BLK W/FINGER GRIP	PA66 GF		
(C)	54201421	(C) 04707292	UNSEALED, INDEX B; LT GRAY W/FINGER GRIP	PA66 GF		
(C)	54201422	(C) 04707293	UNSEALED, INDEX C; DK GRAY W/FINGER GRIP	PA66 GF		
(C)	54201423	(C) 04707294	UNSEALED, INDEX D; NATURAL W/FINGER GRIP	PA66 GF		
(C)	54201451	N/A	UNSEALED, INDEX D; LT GRN W/O FINGER GRIP	PA66 GF		
(C)	54201452	N/A	UNSEALED, INDEX D; NATURAL W/O FINGER GRIP	PA66 GF		
(C)	54201448	(C) 04687973	WEDGE-FEMALE; ROYAL BLUE	PA66 GF		
(C)	54201449	(C) 04687972	RING SEAL; RED	SILICONE		
(C)	54201450	(C) 04687952	END SEAL; LIGHT BLUE (INSULATION RANGE Ø1.70 - Ø3.35)	SILICONE		
(C)	54201457	(**93008014)	END SEAL; BRT YELLOW (WITHOUT HOLES)	SILICONE		
(C)	C855900	N/A	END SEAL; WHITE (INSULATION RANGE Ø1.90 - Ø3.70)	SILICONE		
(C)	54201428	(C) 04687948	RETAINER; BLACK	PA66 GF		
(C)	54200003	(C) 04687739	CPA LATCH; RED	PA66 GF		

FCI - FRAMATOME CONNECTORS INTERNATIONAL
YNA - YAZAKI NORTH AMERICA
(C) - CHRYSLER (GM) - GENERAL MOTORS
(JD) - JOHN DEERE (LF) - LITTLE FUSE

20 TO 10 AWG (Ø1.50 TO Ø4.09)
SEE NOTES
PLUG SEE NOTES
** INTERLOCK P/N
△ INDICATES THIS PART AVAILABLE THROUGH TTI

- ALL NON-REFERENCE DIMENSIONS ARE REQUIRED
- USE INDEX A, BLACK SEALED AND UNSEALED FOR ALL AFFECTED INSULATOR CAVITIES
 - CURRENT PRODUCTION TOOLING
 - POINT OF LAST RUN
 - SERVICE TOOLING GUIDE INFORMATION PER APEX TRAINING MANUAL
- MUST CONFORM TO THE FOLLOWING CHRYSLER/YNA STANDARDS:
- SAE/USCAR-2 REV-5 EXCEPT AS NOTED ABOVE
PS-7300 QUALITY ASSURANCE (CHRYSLER)
PS-80-CEK-4 (CHRYSLER) PART 1, D. (G-009-2 YNA)
PS-9065 REGRIND (CHRYSLER), (G-009-3 YNA)
PS-9227 DATA EXCHANGE (CHRYSLER), (G-009-7 YNA)
PS-10052 INFORMATION SECURITY (CHRYSLER)
- THIS DRAWING (H59008) REPLACES CHRYSLER DRAWING NUMBER 04687876 LEVEL "N"
CHRYSLER DRAWING IS FOR REFERENCE ONLY
- FCI P/N'S WITH SUFFIX "N" DESIGNATES ASSEMBLES W/O CPA
- SEE ZONE Q22 FOR PART IDENTIFICATION CALL OUT
- INDICATES END SEAL 54201450 OR C855900 & RETAINER 54201428 OR HINGE TYPE PROVIDED LOOSE PIECE AND INSTALLED AT WIRE HARNESS ASSEMBLY. SEE HARNESS ASSEMBLY FOR HINGE RETAINER P/N

11-00154	B-C	MATERIAL PA66GF WAS PARAFORM, TITLE BLOCK UPDATED PCL NOT AFFECTED
11802	ALL	ASSEMBLY P/N'S 121010, F371010 ADDED & INSULATION RANGE ADDED, NOTES & CHART UPDATED, REVISED AND REDEFIN. SEE REV # FOR PREVIOUS CHANGES
REV. NO.	ZONE	CHANGE DESCRIPTION
1		
2		
3		
4		
5		
6		
7		
8		
9		
10		
11		
12		
13		
14		
15		
16		
17		
18		
19		
20		
21		
22		
23		

FCI	52772 OR 52772H	SEE CHART
VENDOR	VENDOR CODE	P/N

DATE: 11/25/05
DRAWING NUMBER: H59008
SERIAL RELEASED
SEE TABLE

Mouser Electronics

Authorized Distributor

Click to View Pricing, Inventory, Delivery & Lifecycle Information:

[Aptiv:](#)

[54201400](#) [54201401-B](#) [54201401](#) [54201400-B](#) [54201413-B](#) [54201413](#)