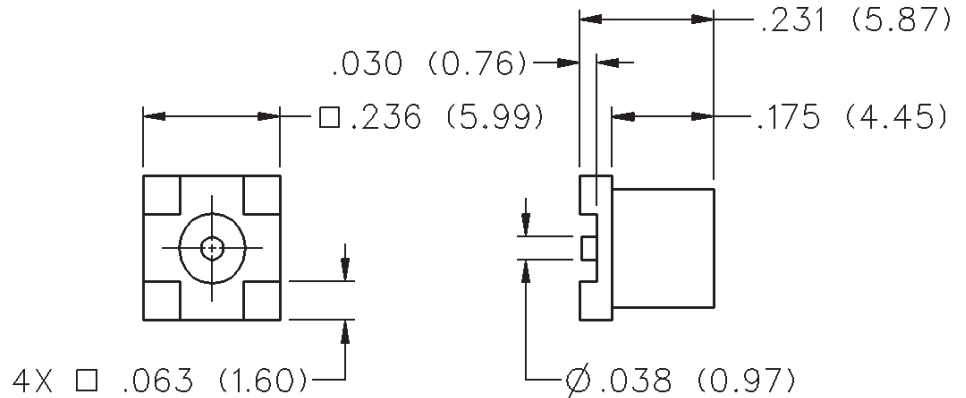


MCX 50 Ohm Straight Jack Receptacle - Surface Mount



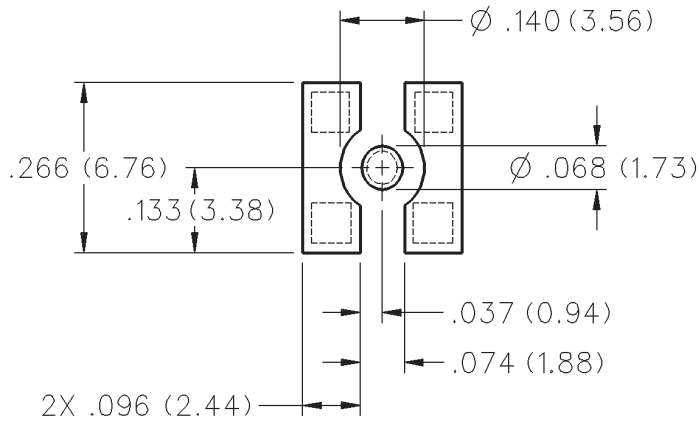
INCHES (MILLIMETERS)
CUSTOMER DRAWINGS AVAILABLE UPON REQUEST



GOLD PLATED	TIN PLATED	PACKAGING
133-3711-201	133-3711-207	STOCK
133-3711-202	133-3711-208	TAPE AND REEL 750 pcs/reel

Tape and Reel $.472$ (12.0) component pitch X $.630$ (16.0) wide.

Recommended Land Pattern



Mouser Electronics

Authorized Distributor

Click to View Pricing, Inventory, Delivery & Lifecycle Information:

[Cinch Connectivity Solutions:](#)

[133-3711-202](#)