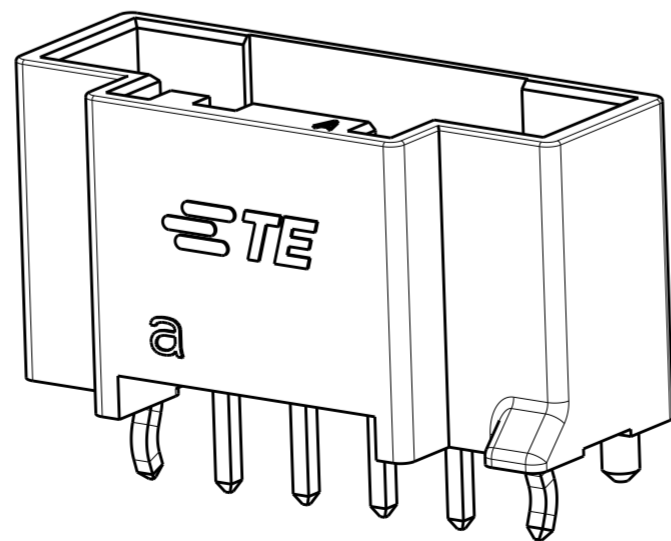
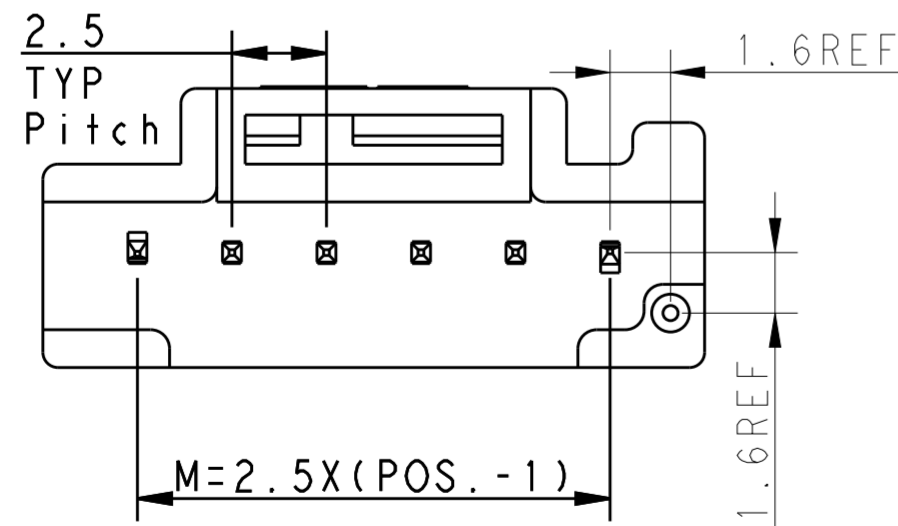
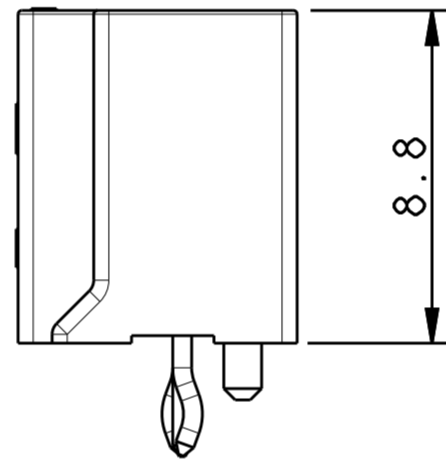
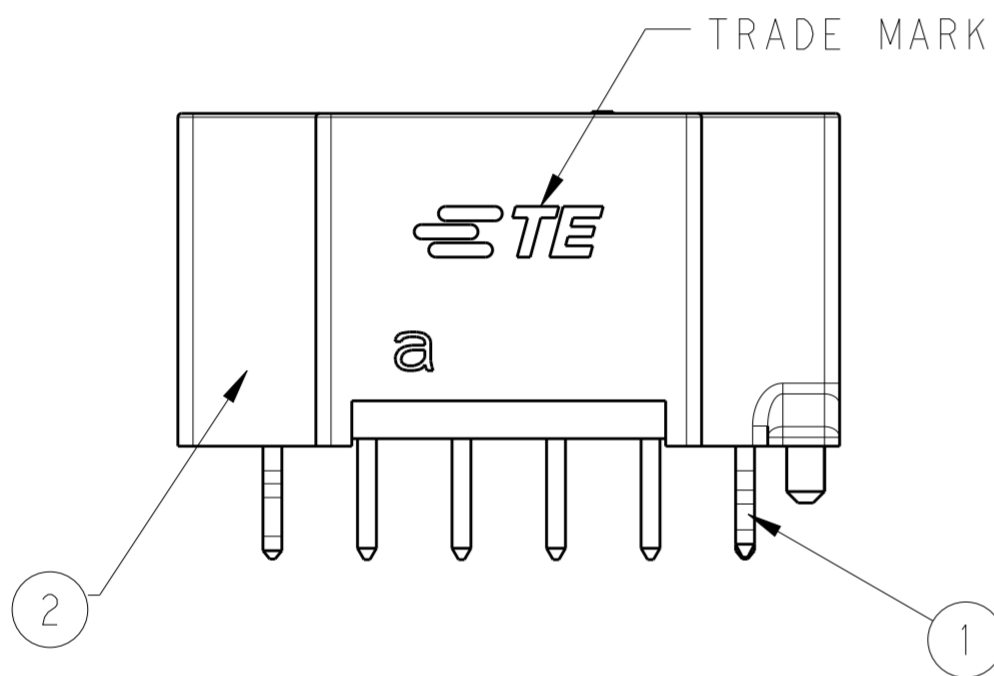
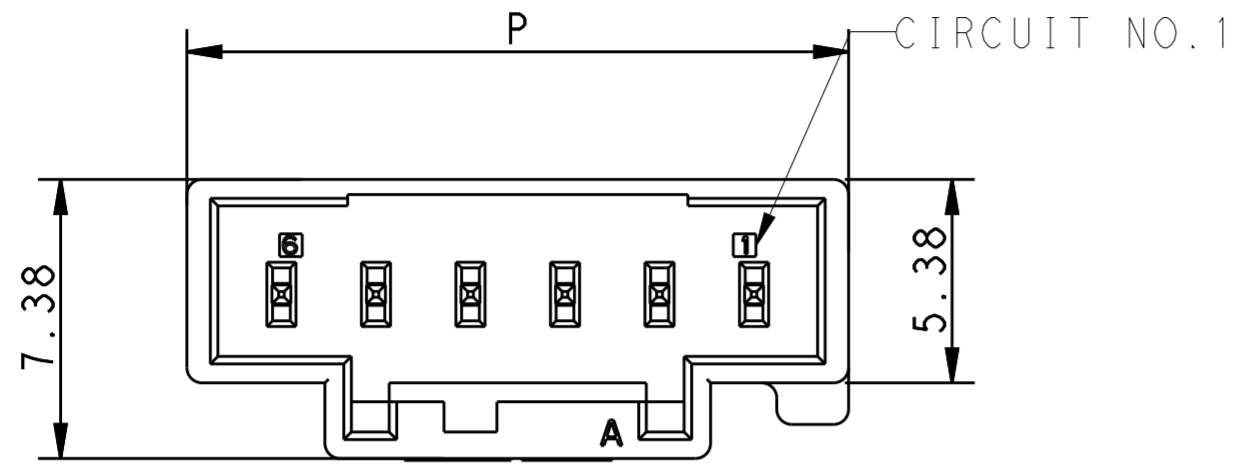


THIS DRAWING IS UNPUBLISHED. RELEASED FOR PUBLICATION
 © COPYRIGHT BY - TE CONNECTIVITY ALL RIGHTS RESERVED.

LOC		DIST		REVISIONS			
P	LTR	DESCRIPTION	DATE	DWN	APVD		
B		ADD 4P/7P PRODUCT	28MAY2013	H.J.Z	YH.M		
C		ECR-13-015990	17OCT2013	H.J.Z	YH.M		
D		ECR-14-002989	28FEB2014	M.T	D.Z		

6Pos header housing assembly

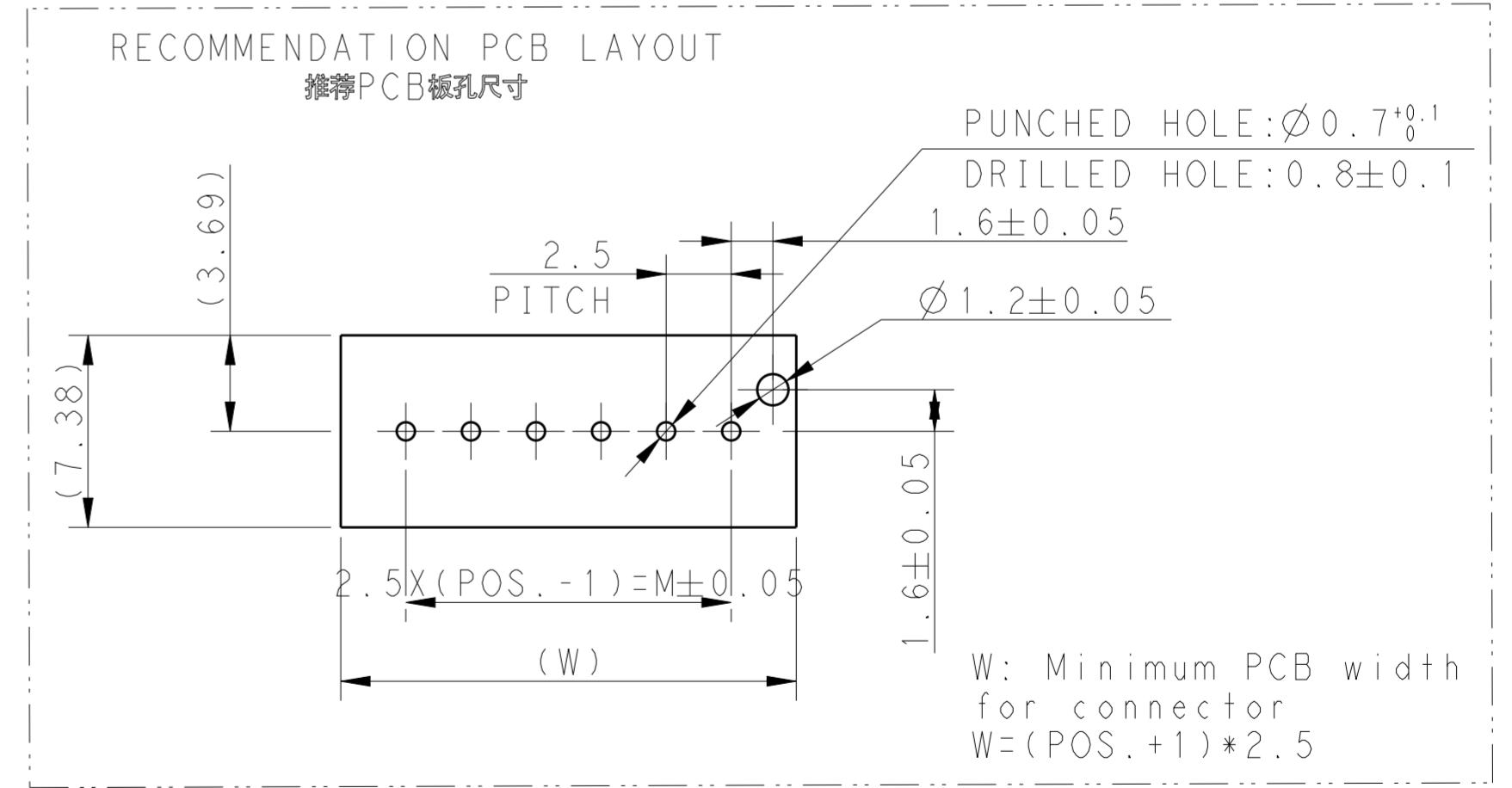


NOTES:

1. GENERAL TOLERANCE: ± 0.3
2. MATERIAL SEE TABLE 1
3. MATING CONN. P/N: SEE TABLE (SHEET 3)

TABLE 1

NO.	PART NAME	MATERIAL
①	POST CONTACT	COPPER ALLOY, TIN PLATING
②	HEADER HOUSING	THERMO PLASTIC UL94 V-0

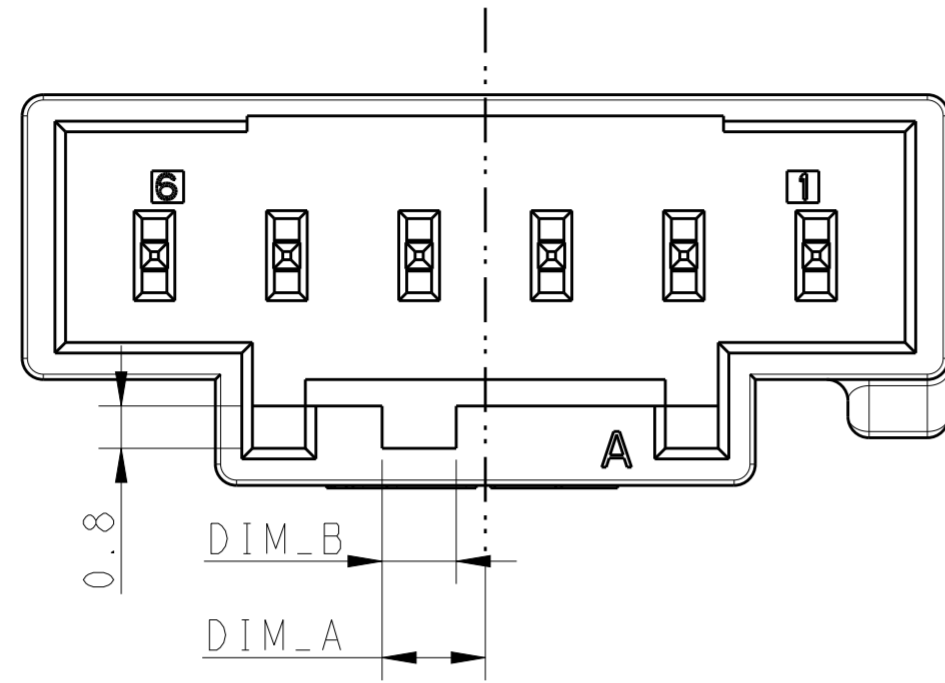


THIS DRAWING IS A CONTROLLED DOCUMENT.		DWN: H.J.Z 28MAY2013	TE Connectivity		
DIMENSIONS: mm		CHK: TIM.D 28MAY2013			
		APVD: YH.M 28MAY2013			
TOLERANCES UNLESS OTHERWISE SPECIFIED:		PRODUCT SPEC: 108-106077	NAME: HEADER ASSY, PITCH 2.5 WITH BOSS D1.0 NEXT GENERATION GRACE INERTIA CONNECTOR		
0 PLC ± 0.3 1 PLC ± 0.3 2 PLC ± 0.3 3 PLC ± 0.01 4 PLC ± 0.0001 ANGLES ± - FINISH ± -		APPLICATION SPEC: -	SIZE: A2	CAGE CODE: -	DRAWING NO: 1971798
MATERIAL: -		WEIGHT: -	RESTRICTED TO: -		
		Customer Drawing		SCALE: / SHEET 1 OF 3 REV D	

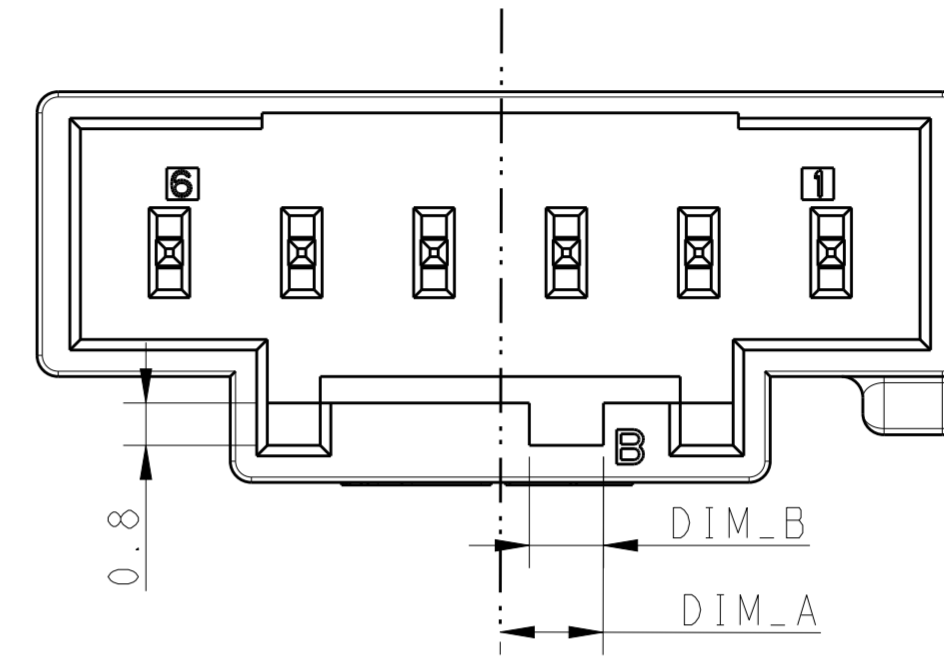
THIS DRAWING IS UNPUBLISHED. RELEASED FOR PUBLICATION
 © COPYRIGHT BY - TE CONNECTIVITY ALL RIGHTS RESERVED.

LOC	DIST	P	LTR	DESCRIPTION	DATE	DWN	APVD
-	-	-	-	SEE SHEET 1	-	-	-

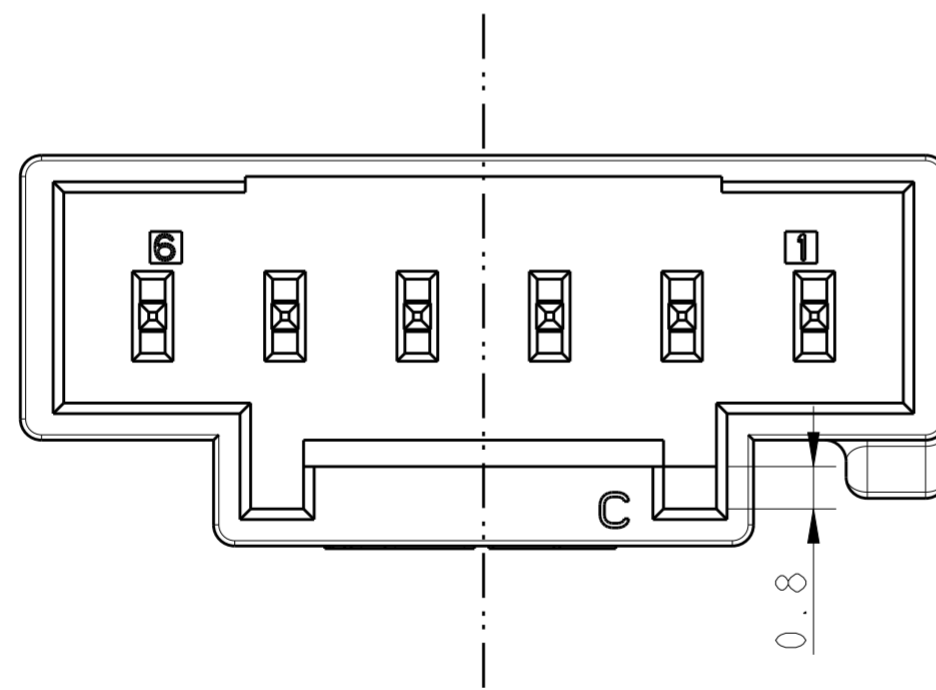
KEYING - A



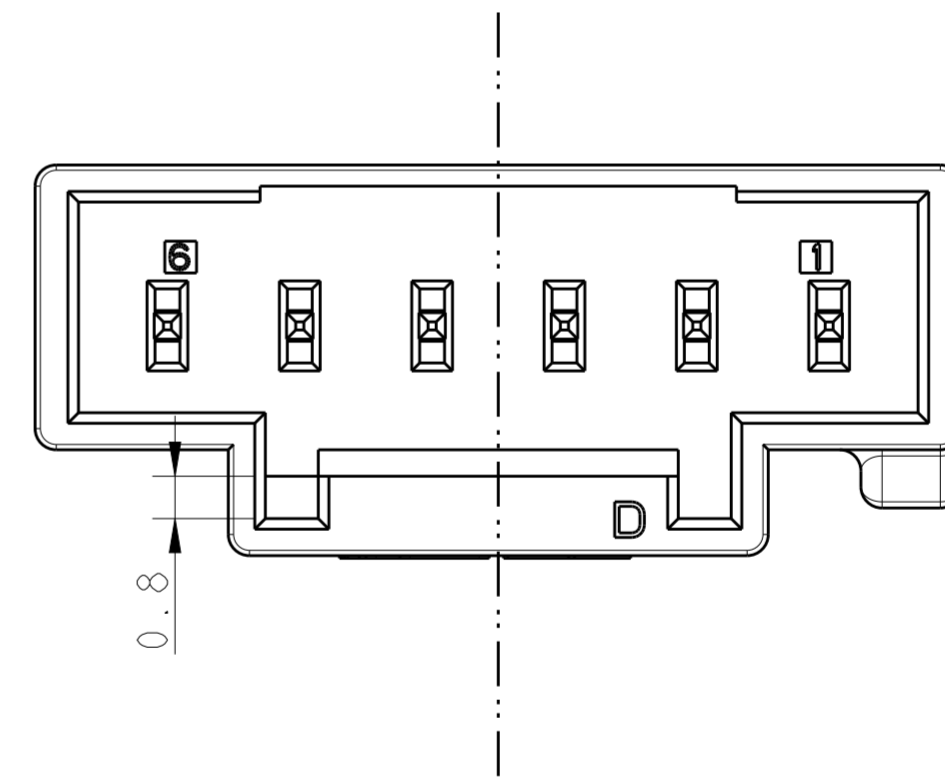
KEYING - B



KEYING - C



KEYING - D



DIMENSION MATRIX FOR KEYING

1.4	2.4	8P
1.4	2.4	7P
1.4	1.95	6P
1.4	1.95	5P
1.4	1.6	4P
1.4	1.3	3P
1.25	1.05	2P
DIM_B	DIM_A	POS.


THIS DRAWING IS A CONTROLLED DOCUMENT.		DWN H.J.Z 28MAY2013	TE Connectivity
DIMENSIONS: mm		CHK H.J.Z 28MAY2013	
TOLERANCES UNLESS OTHERWISE SPECIFIED		APVD Y.H.M 28MAY2013	
0 PLC ± 0.3 1 PLC ± 0.3 2 PLC ± 0.3 3 PLC ± 0.01 4 PLC ± 0.001 ANGLES ± FINISH ±		PRODUCT SPEC 108-106077 APPLICATION SPEC WEIGHT - Customer Drawing	
MATERIAL		NAME HEADER ASSY, PITCH 2.5 WITH BOSS D1.0 NEXT GENERATION GRACE INERTIA CONNETOR	RESTRICTED TO
		SIZE A2	CAGE CODE -
		DRAWING NO. 1971798	SCALE / SHEET 2 OF 3 REV D

THIS DRAWING IS UNPUBLISHED. RELEASED FOR PUBLICATION
 © COPYRIGHT BY - TE CONNECTIVITY ALL RIGHTS RESERVED.

LOC	DIST	P	LTR	DESCRIPTION	DATE	DWN	APVD
-	-	-	-	SEE SHEET 1	-	-	-

MATING CONN P/N	P	M	Pos.	COLOR	KEYING	PART NUMBER	DESCRIPTION
3-2232701-4	10	5	3	YELLOW	D	3-1971798-4	△1
3-2232701-2	10	5	3	BLUE	B	3-9171798-2	△1
2-2232701-1	7.5	2.5	2	NATURAL	A	2-1971798-1	△1
8-1971793-5	22.5	17.5	8	BLACK	D	8-1971798-5	
8-1971793-4				YELLOW	D	8-1971798-4	
8-1971793-3				RED	C	8-1971798-3	
8-1971793-2				BLUE	B	8-1971798-2	
8-1971793-1	20.0	15.0	7	NATURAL	A	8-1971798-1	
7-1971793-5				BLACK	D	7-1971798-5	
7-1971793-4				YELLOW	D	7-1971798-4	
7-1971793-3				RED	C	7-1971798-3	
7-1971793-2	17.5	12.5	6	BLUE	B	7-1971798-2	
7-1971793-1				NATURAL	A	7-1971798-1	
6-1971793-5				BLACK	D	6-1971798-5	
6-1971793-4				YELLOW	D	6-1971798-4	
6-1971793-3	15.0	10.0	5	RED	C	6-1971798-3	
6-1971793-2				BLUE	B	6-1971798-2	
6-1971793-1				NATURAL	A	6-1971798-1	
5-1971793-5				BLACK	D	5-1971798-5	
5-1971793-4	12.5	7.5	4	YELLOW	D	5-1971798-4	
5-1971793-3				RED	C	5-1971798-3	
5-1971793-2				BLUE	B	5-1971798-2	
5-1971793-1				NATURAL	A	5-1971798-1	
4-1971793-5	10.0	5	3	BLACK	D	4-1971798-5	
4-1971793-4				YELLOW	D	4-1971798-4	
4-1971793-3				RED	C	4-1971798-3	
4-1971793-2				BLUE	B	4-1971798-2	
4-1971793-1	7.5	2.5	2	NATURAL	A	4-1971798-1	
3-1971793-5				BLACK	D	3-1971798-5	
3-1971793-4				YELLOW	D	3-2232730-4	
3-1971793-3				RED	C	3-1971798-3	
3-1971793-2	7.5	2.5	2	BLUE	B	3-2232730-2	
3-1971793-1				NATURAL	A	3-1971798-1	
2-1971793-5				BLACK	D	2-1971798-5	
2-1971793-4				YELLOW	D	2-1971798-4	
2-1971793-3	7.5	2.5	2	RED	C	2-1971798-3	
2-1971793-2				BLUE	B	2-1971798-2	
2-1971793-1				NATURAL	A	2-2232730-1	
HEADER ASSEMBLY							

△ Restricted to special customer (Hair)

THIS DRAWING IS A CONTROLLED DOCUMENT.		DWN	HJ.Z	28MAY2013	 TE Connectivity	
DIMENSIONS: mm		CHK	HJ.Z	28MAY2013		
TOLERANCES UNLESS OTHERWISE SPECIFIED		APVD	YH.M	28MAY2013		
0 PLC ± 0.3 1 PLC ± 0.3 2 PLC ± 0.3 3 PLC ± 0.015 4 PLC ± 0.001 ANGLES ± - FINISH		NAME	HEADER ASSY, PITCH 2.5 WITH BOSS D1.0 NEXT GENERATION GRACE INERTIA CONNETOR			
MATERIAL		PRODUCT SPEC	108-106077		SIZE	A2
		APPLICATION SPEC			CAGE CODE	-
		WEIGHT	-		DRAWING NO	1971798
		Customer Drawing		SCALE	/	SHEET 3 OF 3
				RESTRICTED TO	-	

Mouser Electronics

Authorized Distributor

Click to View Pricing, Inventory, Delivery & Lifecycle Information:

[TE Connectivity:](#)

[2-1971800-3](#)