

THIS DRAWING IS UNPUBLISHED. RELEASED FOR PUBLICATION
 © COPYRIGHT - TE Connectivity Ltd. ALL RIGHTS RESERVED.

REVISIONS					
P	LTR	DESCRIPTION	DATE	DWN	APVD
G		ECO-17-018341	15DEC2017	AD	SH

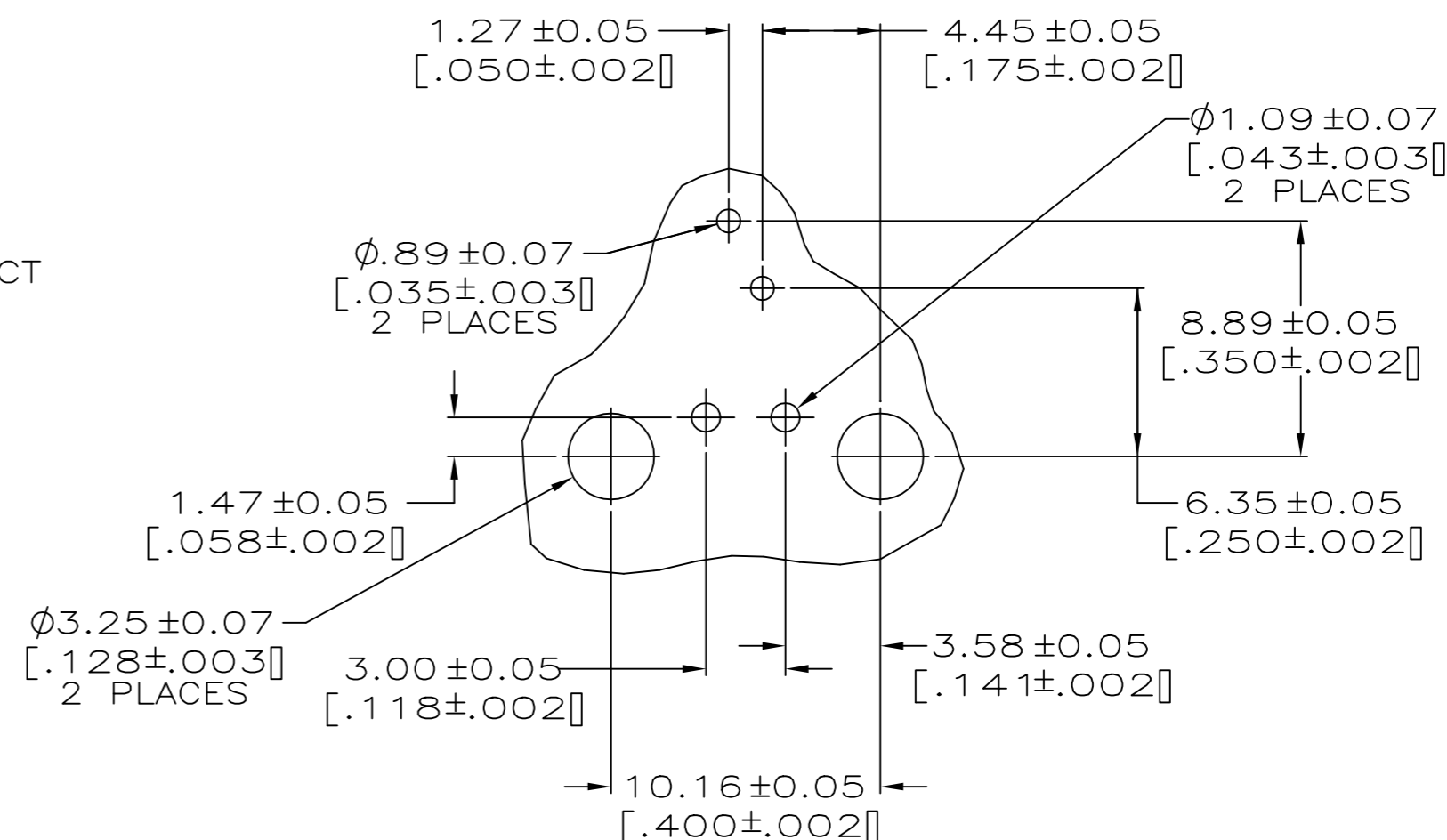
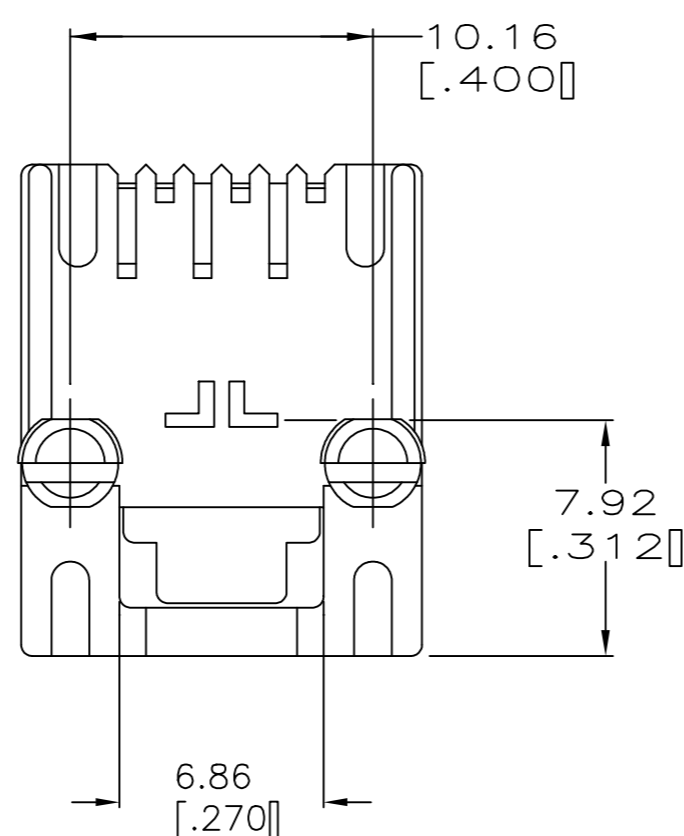
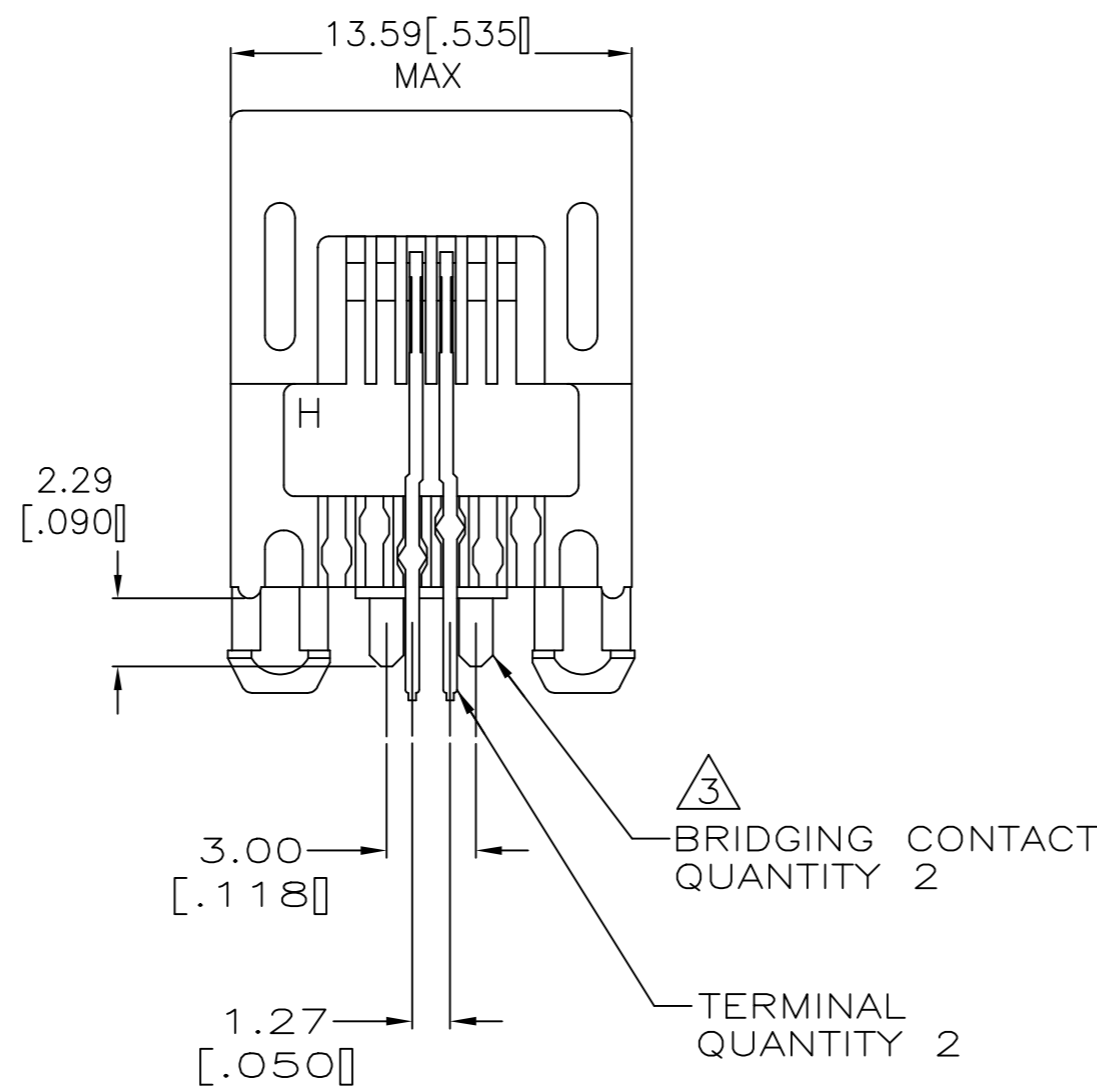
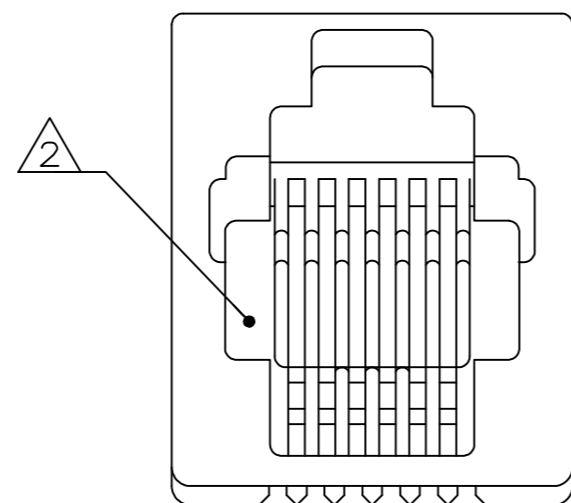
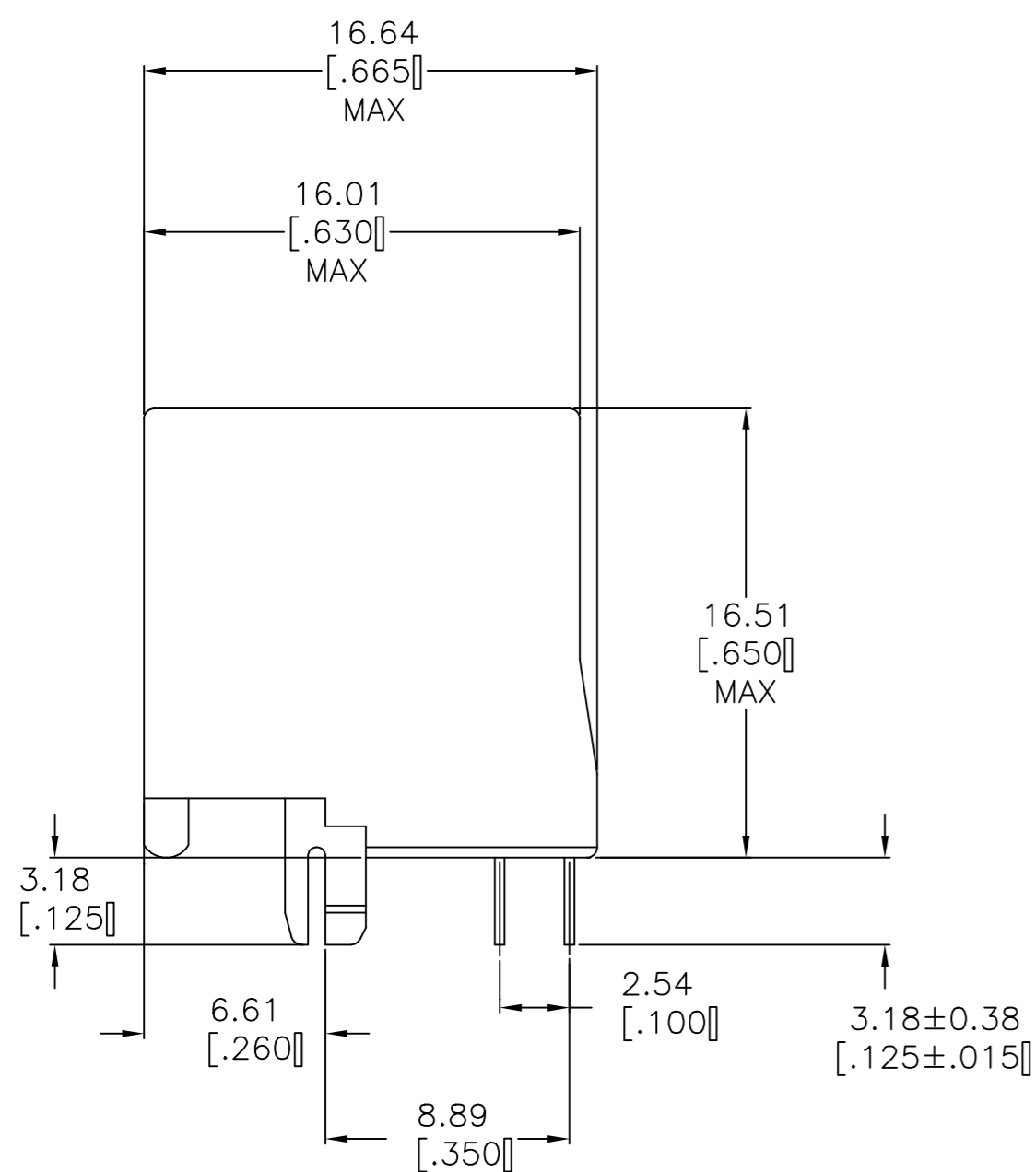
- MATERIAL: HOUSING - NYLON 94 VO, COLOR: BLACK
 TERMINAL - PHOS BRONZE PLATED WITH 1.27µm[.000050] THICK HARD GOLD IN LOCALIZED GOLD PLATE AREA AND 2.03µm[.000080] THICK MATTE TIN IN SOLDER AREA OVER 1.27µm[.000050] THICK NICKEL UNDERPLATE.
 BRIDGING CONTACT - BRASS PLATED WITH 1.27µm[.000050] THICK HARD GOLD IN LOCALIZED GOLD PLATE AREA AND 3.81µm[.000150] THICK MATTE TIN IN SOLDER AREA OVER 1.27µm[.000050] THICK NICKEL UNDERPLATE.

△ CAVITY CONFORMS TO FCC RULES AND REGULATIONS PART 68 AND REA BULLETIN 345-.81 PE-76 SPECIFICATION FOR MODULAR TELEPHONE HARDWARE.

△ BRIDGING CONTACTS COMPLETE CIRCUIT WHEN PLUG IS REMOVED.

4. BULK PACKAGED IN A TRAY.

△ CONTACTS COATED WITH BELLCORE APPROVED LUBRICANT, TECHNICAL REFERENCE GR-1217-CORE, ISSUE 1, NOVEMBER 1995.



SUGGESTED PC BOARD LAYOUT
 VIEWED FROM TOP (COMPONENT SIDE)

OBSOLETED	△ 5	1-5406010-2
-	-	5406010-2
REMARKS		PART NUMBER

THIS DRAWING IS A CONTROLLED DOCUMENT.		DWN L.A.MAYER 16AUG2007		
		CHK P.RECCE 16AUG2007		
DIMENSIONS: mm [INCHES]		APVD S.FLICKINGER 16AUG2007	NAME	
TOLERANCES UNLESS OTHERWISE SPECIFIED:		PRODUCT SPEC		
0 PLC ± -		108-1721		
1 PLC ± -		APPLICATION SPEC		
2 PLC ± 0.13[.005]		114-2048		
3 PLC ± -		WEIGHT 0.000000		
4 PLC ± -		SIZE A2 CAGE CODE 00779		
ANGLES ± -		DRAWING NO C=5406010		
FINISH		RESTRICTED TO -		
SEE NOTE 1		CUSTOMER DRAWING		
		SCALE 4:1		SHEET 1 of 1
				REV G