

THIS DRAWING IS UNPUBLISHED.

RELEASED FOR PUBLICATION

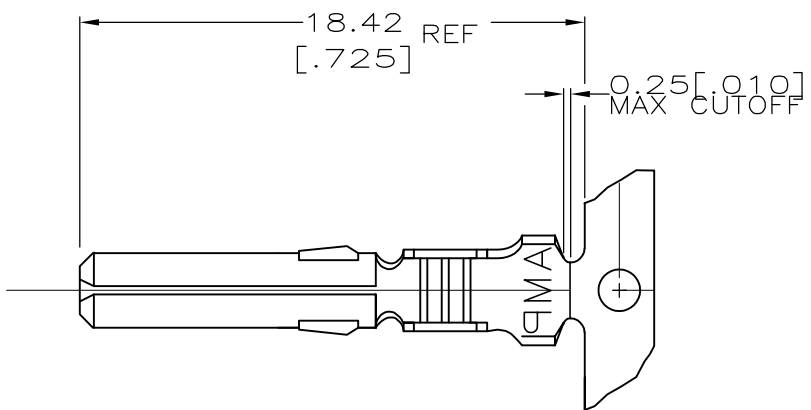
ALL RIGHTS RESERVED.

© COPYRIGHT - By -

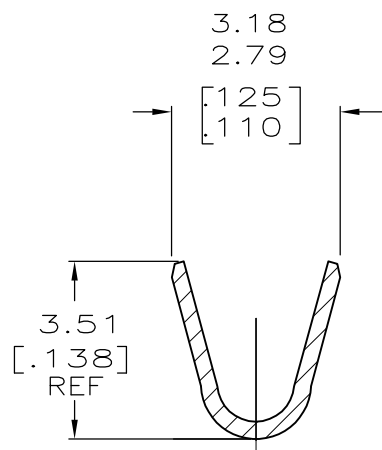
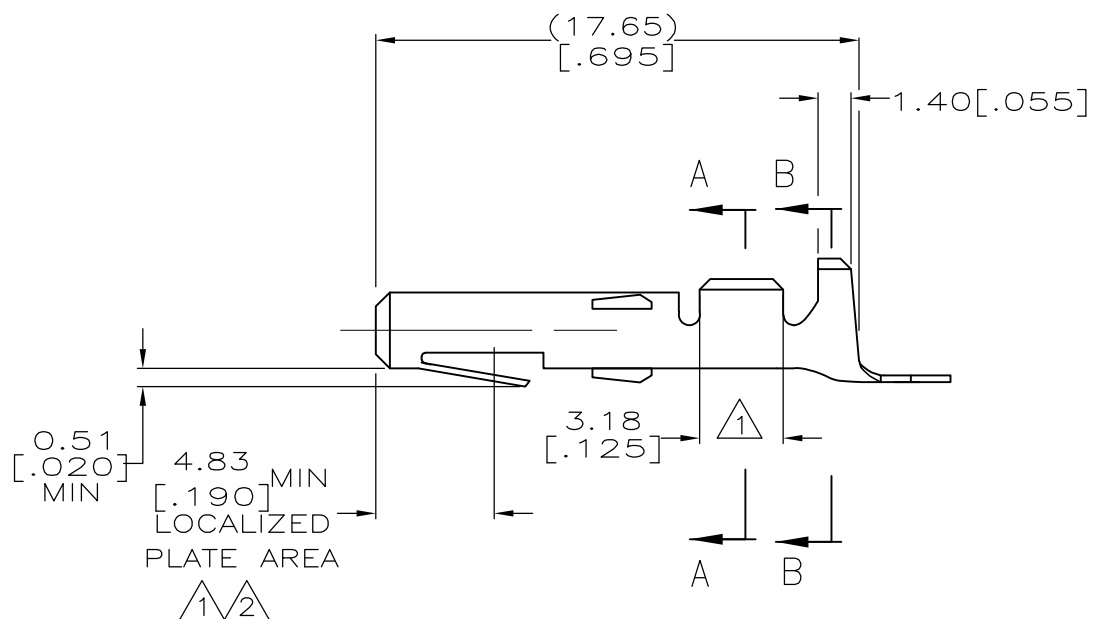
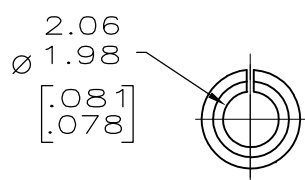
LOC CM DIST 00

REVISIONS

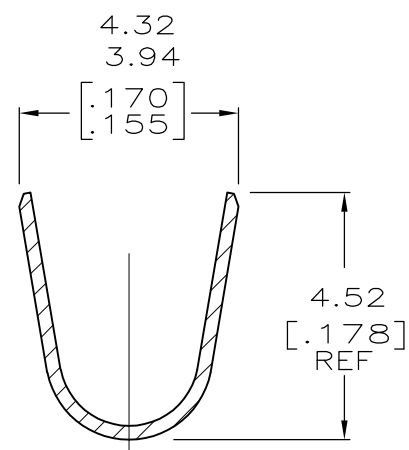
P	LTR	DESCRIPTION	DATE	DWN	APVD
	AC2	REVISED PER ECO-12-013810	25SEPT12	JR	TM



- ① 0.00076[.000030] THK GOLD IN LOCALIZED PLATING AREA AND IN WIRE BARREL; REMAINDER OF CONTACT IS NICKEL PLATED.
- ② 0.00076[.000030] THK GOLD IN LOCALIZED PLATING AREA; REMAINDER OF CONTACT IS NICKEL PLATED.
- 3. DIMENSIONS IN BRACKETS ARE IN INCHES.



SECTION A-A
SCALE 10:1



SECTION B-B
SCALE 10:1

	APPLICATOR TYPE	FINISH	MATERIAL	PART NO
-	MINI	GOLD ②	0.30 [.012] BRASS	61117-7
60619-7	MINI	GOLD ①	0.30 [.012] PH BZ	61117-6
60619-5	MINI	GOLD ①	0.30 [.012] BRASS	61117-5
-	MINI	TIN	0.30 [.012] PH BZ	61117-4
-	MINI	-	0.30 [.012] BRASS	61117-2
60619-1	MINI	TIN	0.30 [.012] BRASS	61117-1

THIS DRAWING IS A CONTROLLED DOCUMENT.

DWN K. WHITAKER 01MAR2005
CHK D. COLEY 01MAR2005
APVD D. COLEY 01MAR2005

STE TE Connectivity

NAME: SOCKET, COMMERCIAL MATE-N-LOK™

PRODUCT SPEC: -
APPLICATION SPEC: -
WEIGHT: -

MATERIAL: 20-14 AWG
FINISH: 3.30[.130] DIA MAX

SIZE: A3 CAGE CODE: 00779 DRAWING NO: C-61117 RESTRICTED TO: -

CUSTOMER DRAWING SCALE: 5:1 SHEET: 1 OF 1 REV: AC2

Mouser Electronics

Authorized Distributor

Click to View Pricing, Inventory, Delivery & Lifecycle Information:

[TE Connectivity:](#)

[61117-5](#)