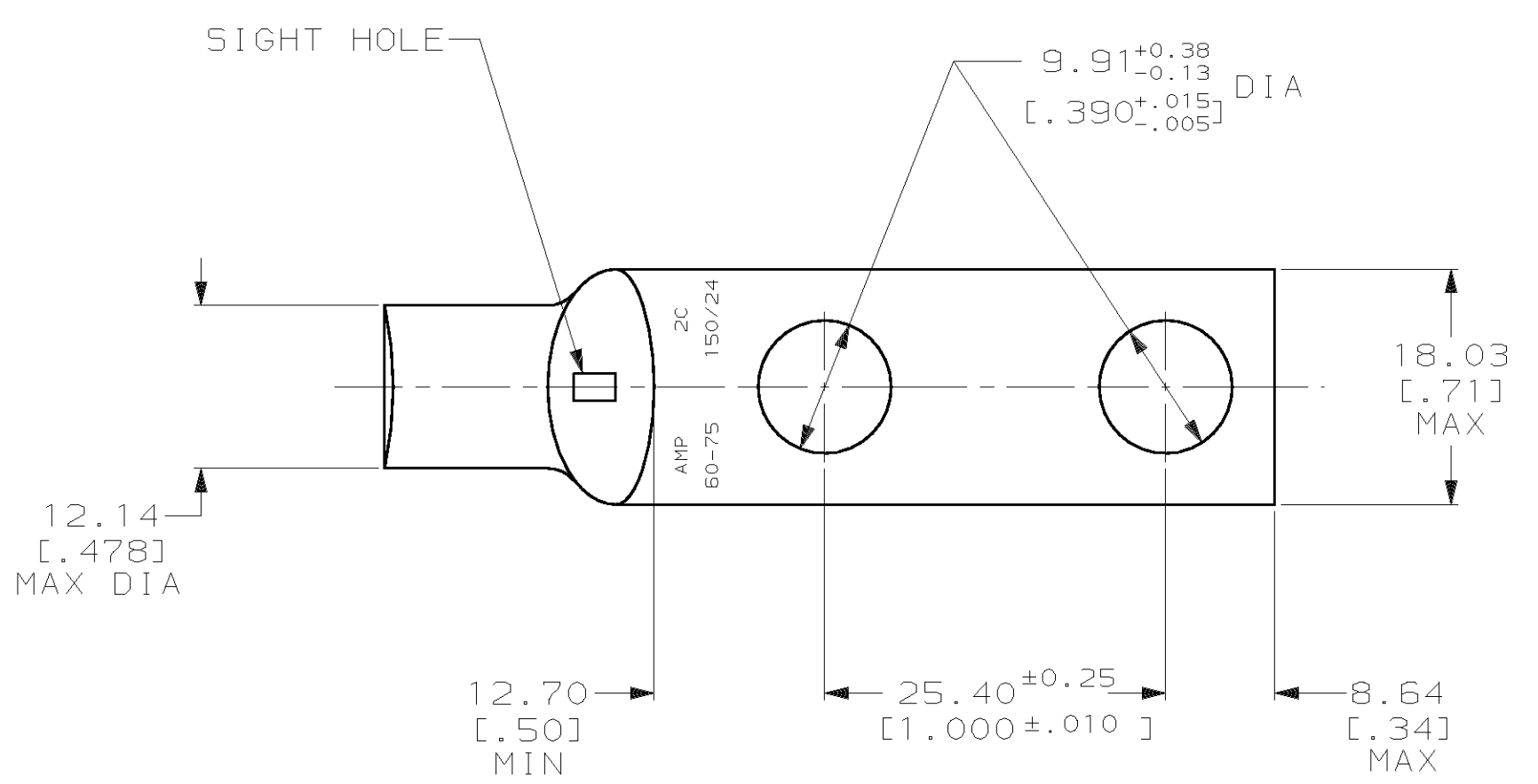
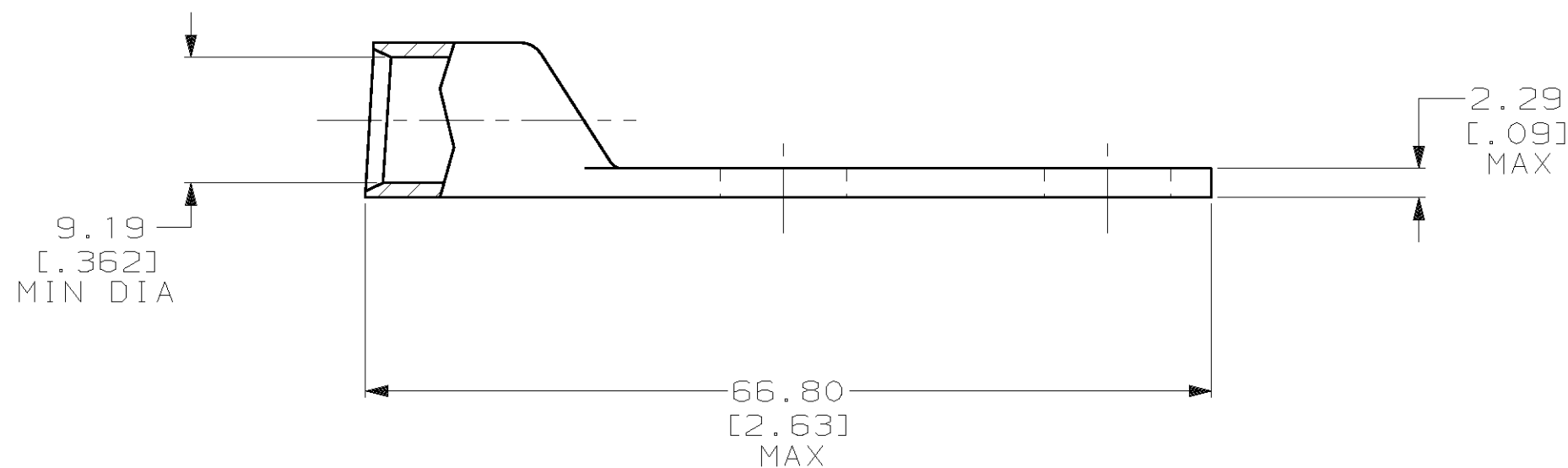


THIS DRAWING IS UNPUBLISHED. RELEASED FOR PUBLICATION ,19 .
 © COPYRIGHT 19 BY AMP INCORPORATED. ALL INTERNATIONAL RIGHTS RESERVED.

LOC		DIST		REVISIONS				DATE	APPD
ZONE	LTR	DESCRIPTION		DATE	APPD				
G	86	P	F	V	REV PER 0G3A-0561-01	090CT02	JR/MS		



1 CIRCULAR MIL AREA RANGE: 52,600-83,700 CM
 2 TIN PL 0.00381 [.000150] MIN THK PER MIL-T-10727



326799

326799
PART NO

DO NOT SCALE PRINT. UNLESS SPECIFIED DIMENSIONS IN mm [INCHES] TOLERANCES ON : 2 PLC DEC ± 0.51 [.020] 3 PLC DEC ± - ANGLES ± -		DR 02/28/90 DK SCHRUM		AMP INCORPORATED Harrisburg, Pa. 17105	
MATERIAL ANNEALED COPPER ASTM B-75		CHK 18JAN95 MS FEHER			
FINISH △		APPD 18JAN95 WJ VOCKROTH		NAME TERMINAL, AMPPOWER™ WIRE SIZE: 2 AWG	
APPLICATION SPEC -		APPD 18JAN95 TL SHUTTER		DRAWING NO 326799	
WEIGHT .038 LB		PRODUCT SPEC 108-30200		SCALE 2:1	
		CAGE CODE 00779		SHEET 1 OF 1	

METRIC

Mouser Electronics

Authorized Distributor

Click to View Pricing, Inventory, Delivery & Lifecycle Information:

[TE Connectivity:](#)

[326799](#)