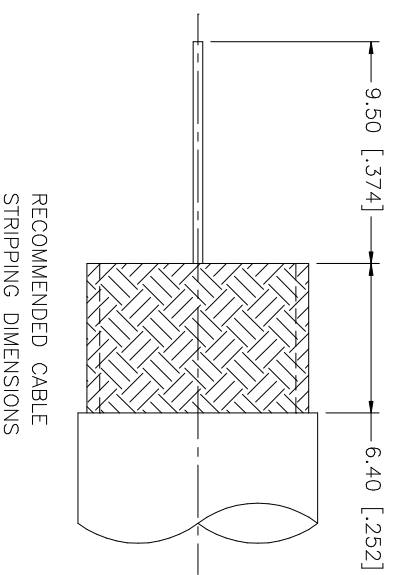
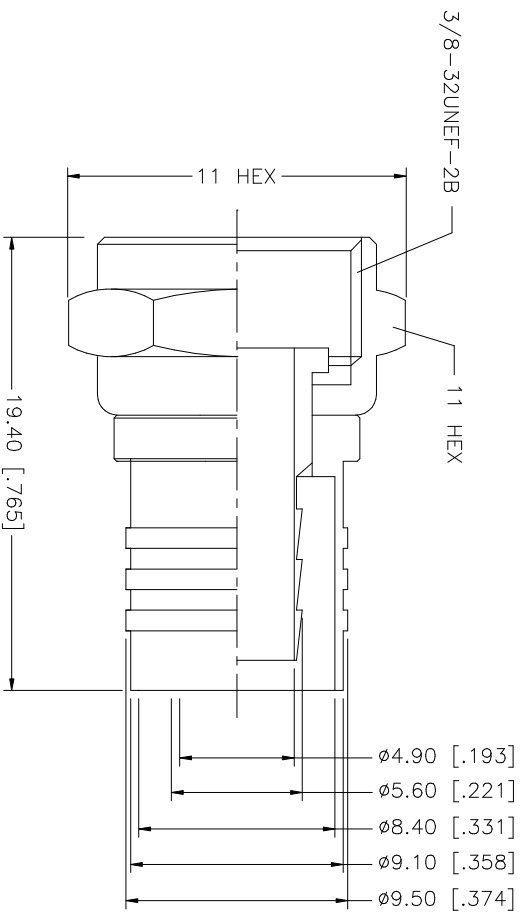


REV.	DATE	DESCRIPTION
B	09/08/98	REDIMENSION DRAWING/ ADD CABLE STRIPPING DIMS
C	02/08/03	UPDATE DRAWING FORMAT



RECOMMENDED CABLE STRIPPING DIMENSIONS

8																			
7																			
6																			
5																			
4																			
3	HOUSING	BRASS	NICKEL	1															
2	BODY	BRASS	NICKEL	1															
1	SHELL	BRASS	NICKEL	1															
	DESCRIPTION	MATERIAL	FINISH	QTY															
					UNLESS OTHERWISE SPECIFIED DIMENSIONS ARE IN MILLIMETERS DIMENSIONS IN INCHES ARE IN INCHES AND FOR CUSTOMER REFERENCE ONLY. UNLESS OTHERWISE SPECIFIED TOLERANCES FOR MILLIMETERS ARE: 0.5 - 8mm ± 0.20mm 8 - 30mm ± 0.40mm 30 - 120mm ± 0.50mm UNLESS OTHERWISE SPECIFIED TOLERANCES FOR INCHES ARE: .020 - .315 = ± 0.007" .315 - 1.180 = ± 0.015" 1.180 - 4.724 = ± 0.020"					DO NOT SCALE DRAWING					APPROVALS DRAWN G.R.S. DATE 02/08/03 CHECKED ISSUED SHEET 1 OF 1				
					CAD FILE C:/222/222118.DWG					DWG. NO. 222118.DWG					REV. C SIZE A SCALE NA				
<p style="text-align: center;">Amphenol Connex</p> <p style="text-align: center;">PART DESCRIPTION F PLUG CF TYPE - 1 PIECE CRIMP (FOR RG-6) 222118</p>																			

Mouser Electronics

Authorized Distributor

Click to View Pricing, Inventory, Delivery & Lifecycle Information:

[Amphenol:](#)

[222118](#)