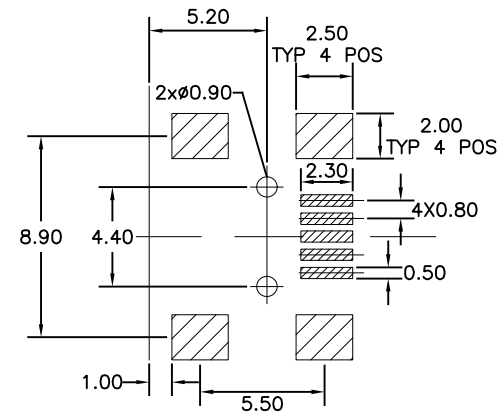
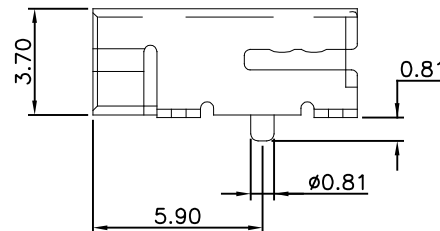
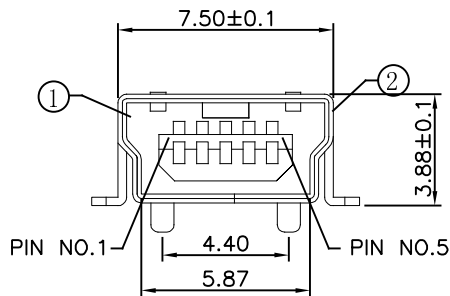
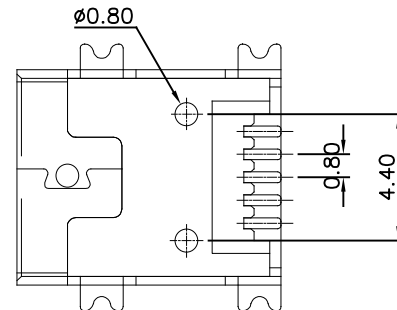
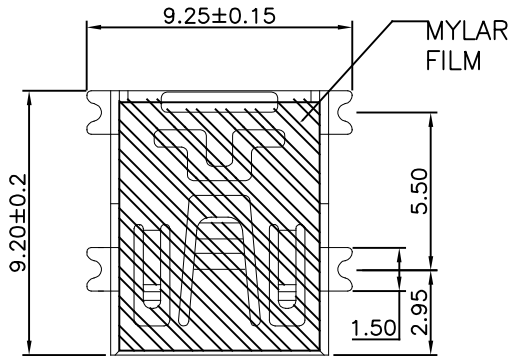


TOLERANCE UNLESS SPECIFIED
 WITHIN 1.5: ±0.1mm
 OVER 1.5: ±0.2mm
 ANGLES: ±2°

THIS IS A C.A.D. GENERATED DRAWING
 DO NOT MAKE MANUAL REVISIONS TO MASTER.



RECOMMENDED PCB LAYOUT

Materials:

- ① Housing: Thermoplastic UL94V-0 Black color.
- ② Shell: Brass, Nickel plated.
- ③ Contact: Phosphor Bronze Gold plated on contact are Tin on tail over Nickel-Under plating.

Specifications:

1. Current rating: 1 A Max.
2. Dielectric withstanding:voltage: 100 V(ac) for 1 min.
3. Contact resistance: 50 mW Max.
4. Insulation resistance: 100 MW Min.
5. Total mating force: 3.57 Kgf Max.
6. Total unmating force: 1.0 Kgf Min.0.81~2.05 Kgf Min. After 3000 insertion/extraction cycles.
7. Temperature range: -30°C~+80°C

Soldering temperature: 260°C±5°C for 5±0.5 sec.
 Resistance to soldering heat: 260°C±5°C for 5±0.5 sec.
 Storage temperature range: -20°C to +60°C
 Thermal resistance: 96 hours in 60°C±3°C

Plating Options
 Gold Flash
 30 Microinches

Part Number
 690-005-299-043
 690-005-699-043

ISSUE NUMBER

ADDED PLATING/PART NUMBER TABLE	③
J.LEE	JUNE 30/09
DRAWING UPDATED NEW TOOLING	
N.SONDH	JAN.27/15
PIN NO'S ADDED	
F.BRIONES	JAN.28/15
SOLDERING TEMP. ETC. ADDING	
F.BRIONES	JUL.29/15
ADD TAPE & REEL INFORMATION	
R.STA.MONICA	AUG.18/2015
UPDATE DWG	
ADD MYLAR FILM	
R.STA.MONICA	NOV.17/2016
UPDATE DWG	
J.TAN	MAY.03/2017



THIS SERIES FULLY CONFORMS TO THE EUROPEAN UNION DIRECTIVES 2011/65/EU FOR RoHS COMPLIANCY.

5 PIN MINI USB-B RIGHT ANGLE SURFACE MOUNT



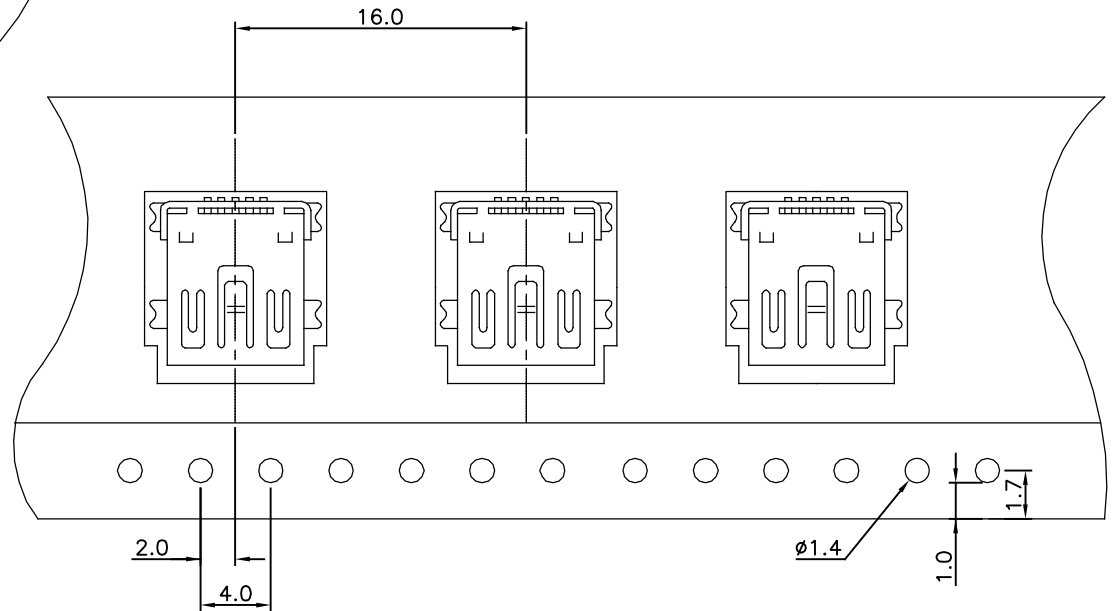
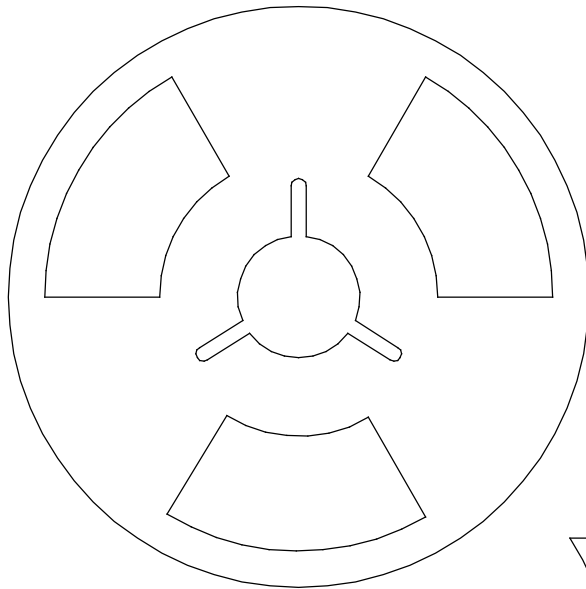
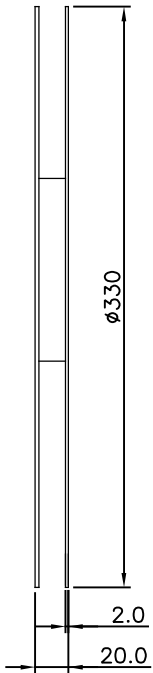
YOUR CONNECTION TO QUALITY & SERVICE

EDAC INC
 TORONTO, ONTARIO
 CANADA

THESE DRAWINGS AND SPECIFICATIONS ARE THE PROPERTY OF EDAC INC.,AND SHALL NOT BE REPRODUCED,OR COPIED OR USED AS THE BASIS FOR THE MANUFACTURE OR SALE OF APPARATUS WITHOUT WRITTEN PERMISSION.

ACAD REFERENCE NO.	690-005-299-043	
DRAWN:	N.SONDH	DATE: JAN.27/15
CHECKED:		DATE:
SCALE: (IN C.A.D. 1:1)	SHEET 1 OF 2	
DRAWING NUMBER	690-005-299-043	ISSUE
		9

THIS IS A C.A.D. GENERATED DRAWING
DO NOT MAKE MANUAL REVISIONS TO MASTER.



QUANTITY: 1,000 PCS PER REEL



THIS SERIES FULLY CONFORMS TO THE
EUROPEAN UNION DIRECTIVES
2011/65/EU FOR RoHS COMPLIANCY.

5 PIN MINI USB-B RIGHT ANGLE SURFACE MOUNT
TAPE AND REEL SPECS

EDAC EDAC INC
TORONTO, ONTARIO
CANADA
YOUR CONNECTION TO QUALITY & SERVICE

THESE DRAWINGS AND SPECIFICATIONS
ARE THE PROPERTY OF EDAC INC., AND
SHALL NOT BE REPRODUCED, OR COPIED
OR USED AS THE BASIS FOR THE
MANUFACTURE OR SALE OF APPARATUS
WITHOUT WRITTEN PERMISSION.

ACAD REFERENCE NO.	690-005-299-043
DRAWN: R.STA.MONICA	DATE: AUG.18/15
CHECKED:	DATE:
SCALE: (IN C.A.D. 1:1)	SHEET 2 OF 2
DRAWING NUMBER	ISSUE
690-005-299-043	9