

Overview

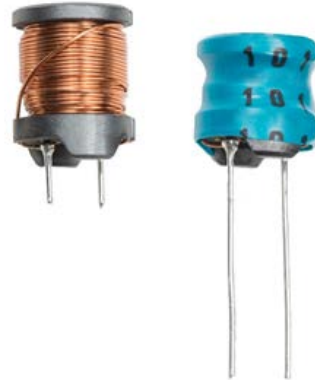
Ferrite power inductors are useful in various fields and suitable for DC/DC converters and noise filters.

Applications

Typical applications include LED lighting, xDSL modems, copying machines, flat TVs, smart meters, and power supplies.

Benefits

- Drum core construction
- Nickel-zinc (NiZn) ferrite core
- Magnetic non-shield type
- Operating temperature range of up to +105°C
- Available in Tape and Reel
- RoHS compliant

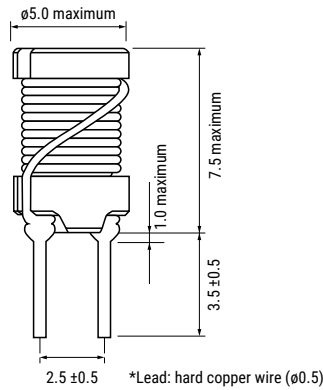


Ordering Information

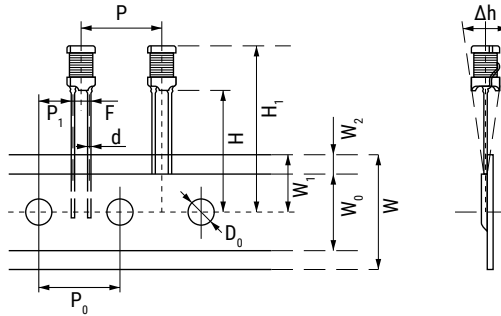
| SBCP- | 47HY | 150 | H | B |
|--------|---|--|--|--------------------------|
| Series | Core Size | Inductance Code (μH) | External Tube | Packaging Type |
| SBCP | Outer size x height 47HY = Φ 4.5 × 7.0 87HY = Φ 8.0 × 7.5 80HY = Φ 8.0 × 10.0 11HY = Φ 11.0 × 11.0 14HY = Φ 11.0 × 14.0 | First two digits represent significant figures. Third digit specifies number of zeros. | Blank = None H = Presence (only for core sizes 87HY, 80HY, and 11HY) | B = Bulk Blank = Ammo |

Dimensions – Millimeters

SBCP-47HY

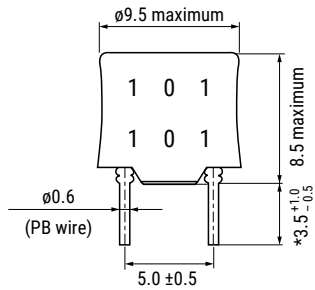


Dimensions of Indented Square Hole Plastic Tape

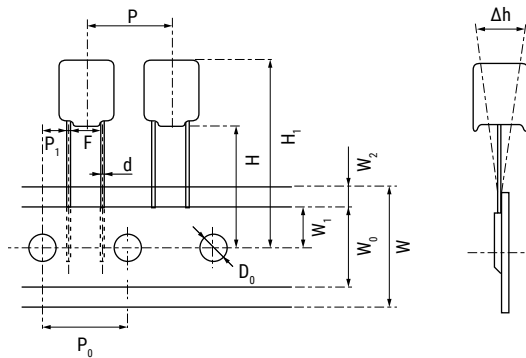


| P | P ₀ | P ₁ | F | W | W ₀ | W ₁ | W ₂ | H | H ₁ | D ₀ | d | Δh |
|------|----------------|----------------|------|------------|----------------|----------------|----------------|------------|----------------|----------------|-------|------|
| ±1.0 | ±0.3 | ±0.7 | ±0.5 | +1.0, -0.5 | Minimum | +0.75, -0.5 | Maximum | +0.2, -0.0 | Maximum | ±0.2 | | ±2.0 |
| 12.7 | 12.7 | 5.1 | 2.5 | 18.0 | 12.5 | 9.0 | 3.0 | 18.0 | 29.5 | Ø 4.0 | Ø 0.5 | 0.0 |

SBCP-87HY



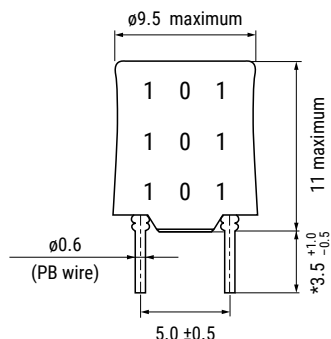
Dimensions of Indented Square Hole Plastic Tape



| P | P ₀ | P ₁ | F | W | W ₀ | W ₁ | W ₂ | H | H ₁ | D ₀ | d | Δh |
|------|----------------|----------------|------|------------|----------------|----------------|----------------|------------|----------------|----------------|-------|------|
| ±1.0 | ±0.3 | ±0.7 | ±1.0 | +1.0, -0.5 | Minimum | +0.75, -0.5 | Maximum | +0.2, -0.0 | Maximum | ±0.2 | | ±2.0 |
| 12.7 | 12.7 | 3.85 | 5.0 | 18 | 12.5 | 9.0 | 3.0 | 18.0 | 28.5 | Ø 4.0 | Ø 0.6 | 0.0 |

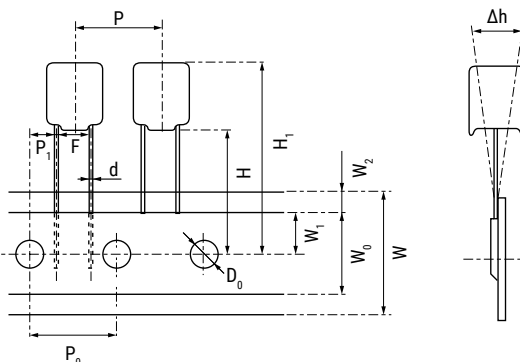
Dimensions – Millimeters cont'd

SBCP-80HY



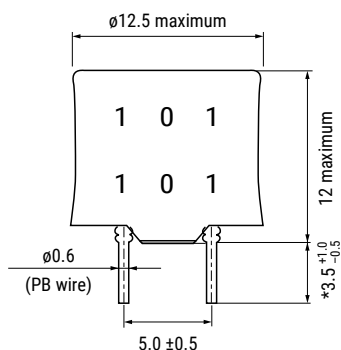
* For bulk type
* Lead pitch is value at the root end.

Dimensions of Indented Square Hole Plastic Tape



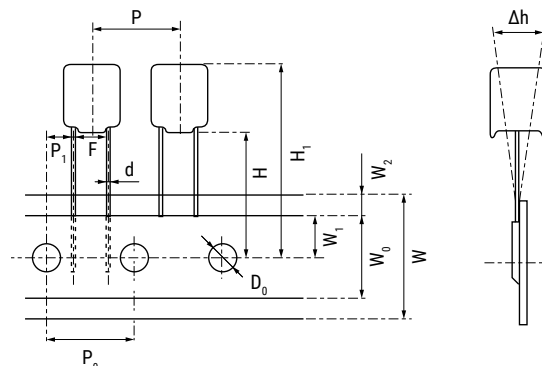
| P | P ₀ | P ₁ | F | W | W ₀ | W ₁ | W ₂ | H | H ₁ | D ₀ | d | Δh |
|------|----------------|----------------|------|------------|----------------|----------------|----------------|------------|----------------|----------------|-------|------|
| ±1.0 | ±0.3 | ±0.7 | ±1.0 | +1.0, -0.5 | Minimum | +0.75, -0.5 | Maximum | +2.0, -0.0 | Maximum | ±0.2 | | ±2.0 |
| 12.7 | 12.7 | 3.85 | 5.0 | 18.0 | 12.5 | 9.0 | 3.0 | 18.0 | 31.0 | ∅ 4.0 | ∅ 0.6 | 0.0 |

SBCP-11HY



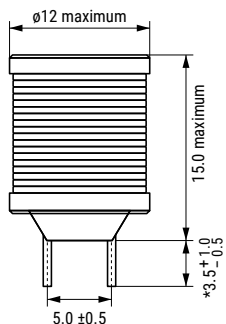
* For bulk type
* Lead pitch is value at the root end.

Dimensions of Indented Square Hole Plastic Tape



| P | P ₀ | P ₁ | F | W | W ₀ | W ₁ | W ₂ | H | H ₁ | D ₀ | d | Δh |
|------|----------------|----------------|------|------------|----------------|----------------|----------------|------------|----------------|----------------|-------|------|
| ±1.0 | ±0.3 | ±0.7 | ±1.0 | +1.0, -0.5 | Minimum | +0.75, -0.5 | Maximum | +2.0, -0.0 | Maximum | ±0.2 | | ±2.0 |
| 12.7 | 12.7 | 3.85 | 5.0 | 18.0 | 12.5 | 9.0 | 3.0 | 18.0 | 32.0 | ∅ 4.0 | ∅ 0.6 | 0.0 |

SBCP-14HY



*Lead: hard copper wire (∅0.6)

Performance Characteristics

| Series | Item | Performance Characteristics |
|-----------|---------------------------|---|
| SBCP-47HY | Operating temperature | -20°C to +105°C (including self-temperature rise) |
| | Rated inductance range | 1.2 – 1,500 μ H at 10 kHz, 1 mA |
| | Inductance tolerance | \pm 10% – \pm 20% |
| | Rated DC resistance range | 0.021 – 8.000 Ω maximum |
| | Rated current range | 0.13 – 3.00 A |
| SBCP-87HY | Operating temperature | -20°C to +105°C (including self-temperature rise) |
| | Rated inductance range | 1.0 – 1,000 μ H at 10 kHz, 1 mA |
| | Inductance tolerance | \pm 10% – \pm 30% |
| | Rated DC resistance range | 0.02 – 2.82 Ω maximum |
| | Rated current range | 0.25 – 4.50 A |
| SBCP-80HY | Operating temperature | -20°C to +105°C (including self-temperature rise) |
| | Rated inductance range | 1.5 – 10,000 μ H at 10 kHz, 1 mA |
| | Inductance tolerance | \pm 10% – \pm 30% |
| | Rated DC resistance range | 0.02 – 19.10 Ω maximum |
| | Rated current range | 0.10 – 4.50 A |
| SBCP-11HY | Operating temperature | -20°C to +105°C (including self-temperature rise) |
| | Rated inductance range | 1.5 – 1,000 μ H at 10 kHz, 1 mA |
| | Inductance tolerance | \pm 10% – \pm 30% |
| | Rated DC resistance range | 0.02 – 1.70 Ω maximum |
| | Rated current range | 0.42 – 5.00 A |
| SBCP-14HY | Operating temperature | -20°C to +105°C (including self-temperature rise) |
| | Rated inductance range | 1.2 – 10,000 μ H at 10 kHz, 1 mA |
| | Inductance tolerance | \pm 10% – \pm 30% |
| | Rated DC resistance range | 0.02 – 10.86 Ω maximum |
| | Rated current range | 0.17 – 5.20 A |

Table 1A – Ratings & Part Number Reference

| Part Number | Inductance at 10 kHz, 1 mA (μH) | Inductance Tolerance | DC Resistance (Ω) Maximum | Rated Current (A) | Current (Reference Value) (A) | | | Weight (g) |
|---------------|---------------------------------|----------------------|---------------------------|-------------------|-------------------------------|-----------|----------------|------------|
| | | | | | ΔT = 20°C | ΔT = 40°C | L – 10% (85°C) | |
| SBCP-47HY1R2B | 1.2 | ±20% | 0.021 | 3.00 | 3.02 | 4.26 | 4.16 | 0.500 |
| SBCP-47HY1R5B | 1.5 | ±20% | 0.024 | 2.85 | 2.85 | 4.01 | 3.67 | 0.500 |
| SBCP-47HY2R2B | 2.2 | ±20% | 0.029 | 2.60 | 2.59 | 3.66 | 3.20 | 0.500 |
| SBCP-47HY2R7B | 2.7 | ±20% | 0.032 | 2.45 | 2.47 | 3.48 | 2.92 | 0.500 |
| SBCP-47HY3R3B | 3.3 | ±20% | 0.037 | 2.30 | 2.28 | 3.21 | 2.70 | 0.500 |
| SBCP-47HY3R9B | 3.9 | ±20% | 0.040 | 2.15 | 2.18 | 3.08 | 2.51 | 0.500 |
| SBCP-47HY4R7B | 4.7 | ±20% | 0.043 | 2.10 | 2.10 | 2.96 | 2.30 | 0.500 |
| SBCP-47HY5R6B | 5.6 | ±20% | 0.049 | 1.95 | 1.99 | 2.80 | 2.04 | 0.500 |
| SBCP-47HY6R8B | 6.8 | ±20% | 0.052 | 1.90 | 1.92 | 2.71 | 1.93 | 0.470 |
| SBCP-47HY8R2B | 8.2 | ±20% | 0.059 | 1.70 | 1.81 | 2.55 | 1.74 | 0.500 |
| SBCP-47HY100B | 10.0 | ±20% | 0.067 | 1.60 | 1.69 | 2.38 | 1.60 | 0.470 |
| SBCP-47HY120B | 12.0 | ±20% | 0.076 | 1.40 | 1.59 | 2.24 | 1.41 | 0.500 |
| SBCP-47HY150B | 15.0 | ±20% | 0.087 | 1.25 | 1.48 | 2.09 | 1.26 | 0.500 |
| SBCP-47HY220B | 22.0 | ±20% | 0.123 | 1.05 | 1.24 | 1.75 | 1.04 | 0.500 |
| SBCP-47HY270B | 27.0 | ±20% | 0.137 | 0.96 | 1.18 | 1.66 | 0.96 | 0.500 |
| SBCP-47HY330B | 33.0 | ±20% | 0.169 | 0.87 | 1.06 | 1.50 | 0.87 | 0.500 |
| SBCP-47HY390B | 39.0 | ±20% | 0.213 | 0.79 | 1.95 | 1.33 | 0.79 | 0.500 |
| SBCP-47HY470B | 47.0 | ±10% | 0.267 | 0.73 | 0.84 | 1.19 | 0.73 | 0.500 |
| SBCP-47HY560B | 56.0 | ±10% | 0.350 | 0.65 | 0.65 | 0.87 | 0.66 | 0.500 |
| SBCP-47HY680B | 68.0 | ±10% | 0.397 | 0.60 | 0.61 | 0.81 | 0.60 | 0.500 |
| SBCP-47HY820B | 82.0 | ±10% | 0.519 | 0.53 | 0.53 | 0.71 | 0.55 | 0.500 |
| SBCP-47HY101B | 100.0 | ±10% | 0.584 | 0.50 | 0.50 | 0.67 | 0.50 | 0.500 |
| SBCP-47HY121B | 120.0 | ±10% | 0.657 | 0.45 | 0.47 | 0.63 | 0.45 | 0.500 |
| SBCP-47HY151B | 150.0 | ±10% | 0.878 | 0.41 | 0.41 | 0.55 | 0.41 | 0.500 |
| SBCP-47HY221B | 220.0 | ±10% | 1.100 | 0.33 | 0.36 | 0.48 | 0.33 | 0.500 |
| SBCP-47HY271B | 270.0 | ±10% | 1.300 | 0.30 | 0.34 | 0.45 | 0.30 | 0.500 |
| SBCP-47HY331B | 330.0 | ±10% | 1.800 | 0.27 | 0.29 | 0.39 | 0.27 | 0.457 |
| SBCP-47HY391B | 390.0 | ±10% | 2.000 | 0.25 | 0.26 | 0.36 | 0.25 | 0.500 |
| SBCP-47HY471B | 470.0 | ±10% | 2.800 | 0.22 | 0.22 | 0.31 | 0.23 | 0.500 |
| SBCP-47HY561B | 560.0 | ±10% | 3.100 | 0.21 | 0.21 | 0.29 | 0.21 | 0.500 |
| SBCP-47HY681B | 680.0 | ±10% | 3.500 | 0.19 | 0.20 | 0.28 | 0.19 | 0.500 |
| SBCP-47HY821B | 820.0 | ±10% | 5.300 | 0.16 | 0.16 | 0.22 | 0.17 | 0.500 |
| SBCP-47HY102B | 1000.0 | ±10% | 6.000 | 0.15 | 0.15 | 0.21 | 0.16 | 0.487 |
| SBCP-47HY152B | 1500.0 | ±10% | 8.000 | 0.13 | 0.13 | 0.18 | 0.13 | 0.490 |
| Part Number | Inductance at 10 kHz, 1 mA (μH) | Inductance Tolerance | DC Resistance (Ω) Maximum | Rated Current (A) | Current (Reference Value) (A) | | | Weight (g) |
| | | | | | ΔT = 20°C | ΔT = 40°C | L – 10% (85°C) | |

Table 1B – Ratings & Part Number Reference

| Part Number | Inductance at 10 kHz, 1 mA L (µH) | Inductance Tolerance | DC Resistance (Ω) Maximum | Rated Current (A) ΔT = 20°C | Current (Reference Value) (A) | | Weight (g) |
|----------------|-----------------------------------|----------------------|---------------------------|-----------------------------|-------------------------------|--------------------|------------|
| | | | | | ΔT = 40°C | L Change Rate -10% | |
| SBCP-87HY1R0H | 1.0 | ±30% | 0.02 | 4.50 | 6.30 | 10.20 | 1.600 |
| SBCP-87HY2R2H | 2.2 | ±30% | 0.03 | 4.00 | 5.60 | 6.10 | 1.600 |
| SBCP-87HY3R3H | 3.3 | ±30% | 0.03 | 3.20 | 4.40 | 4.80 | 1.600 |
| SBCP-87HY4R7H | 4.7 | ±20% | 0.03 | 3.20 | 4.40 | 4.30 | 1.226 |
| SBCP-87HY6R8H | 6.8 | ±20% | 0.04 | 2.80 | 3.90 | 3.40 | 1.325 |
| SBCP-87HY100H | 10.0 | ±20% | 0.05 | 2.30 | 3.20 | 2.40 | 1.600 |
| SBCP-87HY150H | 15.0 | ±20% | 0.06 | 2.10 | 2.90 | 2.20 | 1.600 |
| SBCP-87HY220H | 22.0 | ±20% | 0.08 | 1.90 | 2.60 | 1.80 | 1.600 |
| SBCP-87HY330H | 33.0 | ±20% | 0.12 | 1.50 | 2.10 | 1.50 | 1.600 |
| SBCP-87HY470H | 47.0 | ±20% | 0.15 | 1.30 | 1.80 | 1.20 | 1.600 |
| SBCP-87HY680H | 68.0 | ±10% | 0.19 | 1.16 | 1.60 | 1.00 | 1.600 |
| SBCP-87HY820H | 82.0 | ±10% | 0.23 | 1.10 | 1.50 | 0.94 | 1.600 |
| SBCP-87HY101H | 100.0 | ±10% | 0.30 | 0.90 | 1.20 | 0.87 | 1.600 |
| SBCP-87HY151H | 150.0 | ±10% | 0.39 | 0.79 | 1.10 | 0.70 | 1.600 |
| SBCP-87HY221H | 220.0 | ±10% | 0.57 | 0.65 | 0.91 | 0.57 | 1.600 |
| SBCP-87HY331H | 330.0 | ±10% | 0.92 | 0.50 | 0.70 | 0.47 | 1.600 |
| SBCP-87HY471H | 470.0 | ±10% | 1.30 | 0.42 | 0.58 | 0.39 | 1.600 |
| SBCP-87HY681H | 680.0 | ±10% | 1.66 | 0.33 | 0.46 | 0.32 | 2.016 |
| SBCP-87HY102H | 1000.0 | ±10% | 2.82 | 0.25 | 0.35 | 0.27 | 1.600 |
| SBCP-80HY1R5H | 1.5 | ±30% | 0.02 | 4.50 | 6.30 | 13.50 | 1.800 |
| SBCP-80HY2R2H | 2.2 | ±30% | 0.03 | 4.00 | 5.60 | 11.70 | 1.800 |
| SBCP-80HY3R3H | 3.3 | ±30% | 0.04 | 3.60 | 5.00 | 9.20 | 1.800 |
| SBCP-80HY4R7H | 4.7 | ±20% | 0.04 | 3.30 | 4.60 | 7.60 | 1.800 |
| SBCP-80HY6R8H | 6.8 | ±20% | 0.05 | 3.30 | 4.60 | 6.50 | 1.800 |
| SBCP-80HY100H | 10.0 | ±20% | 0.05 | 2.90 | 4.00 | 5.30 | 1.980 |
| SBCP-80HY150H | 15.0 | ±20% | 0.08 | 2.50 | 3.50 | 4.00 | 1.800 |
| SBCP-80HY220H | 22.0 | ±20% | 0.08 | 2.40 | 3.30 | 3.40 | 1.800 |
| SBCP-80HY330H | 33.0 | ±20% | 0.09 | 2.10 | 2.90 | 2.70 | 1.800 |
| SBCP-80HY470H | 47.0 | ±10% | 0.13 | 1.90 | 2.60 | 2.20 | 1.955 |
| SBCP-80HY680H | 68.0 | ±10% | 0.16 | 1.70 | 2.30 | 1.80 | 2.500 |
| SBCP-80HY820H | 82.0 | ±10% | 0.24 | 1.30 | 1.80 | 1.70 | 2.670 |
| SBCP-80HY101H | 100.0 | ±10% | 0.35 | 1.10 | 1.50 | 1.60 | 2.060 |
| SBCP-80HY121H | 120.0 | ±10% | 0.35 | 1.10 | 1.50 | 1.40 | 1.800 |
| SBCP-80HY151H | 150.0 | ±10% | 0.41 | 1.00 | 1.40 | 1.20 | 1.800 |
| SBCP-80HY221H | 220.0 | ±10% | 0.52 | 0.90 | 1.20 | 1.00 | 1.800 |
| SBCP-80HY331H | 330.0 | ±10% | 0.75 | 0.70 | 0.98 | 0.85 | 2.215 |
| SBCP-80HY471H | 470.0 | ±10% | 0.95 | 0.65 | 0.91 | 0.71 | 1.800 |
| SBCP-80HY681H | 680.0 | ±10% | 1.40 | 0.50 | 0.70 | 0.58 | 1.800 |
| SBCP-80HY102H | 1000.0 | ±10% | 1.89 | 0.40 | 0.56 | 0.48 | 2.400 |
| SBCP-80HY122H | 1200.0 | ±10% | 2.60 | 0.32 | 0.44 | 0.45 | 2.400 |
| SBCP-80HY103HB | 10000.0 | ±10% | 19.10 | 0.10 | 0.14 | 0.15 | 2.270 |
| SBCP-11HY1R5H | 1.5 | ±30% | 0.02 | 5.00 | 7.20 | 25.30 | 3.300 |
| SBCP-11HY2R2H | 2.2 | ±30% | 0.02 | 4.70 | 6.70 | 21.40 | 3.300 |
| SBCP-11HY3R3H | 3.3 | ±20% | 0.02 | 4.40 | 6.30 | 18.50 | 3.300 |
| SBCP-11HY4R7H | 4.7 | ±20% | 0.03 | 4.10 | 5.80 | 14.60 | 3.300 |
| SBCP-11HY6R8H | 6.8 | ±20% | 0.03 | 3.60 | 5.10 | 12.10 | 3.300 |
| SBCP-11HY100H | 10.0 | ±20% | 0.04 | 3.10 | 4.50 | 9.60 | 3.300 |
| SBCP-11HY150H | 15.0 | ±20% | 0.05 | 2.80 | 4.10 | 7.90 | 3.300 |
| SBCP-11HY220H | 22.0 | ±20% | 0.06 | 2.50 | 3.60 | 6.40 | 3.300 |
| SBCP-11HY330H | 33.0 | ±20% | 0.07 | 2.30 | 3.30 | 5.40 | 3.300 |
| SBCP-11HY470H | 47.0 | ±20% | 0.10 | 2.00 | 2.90 | 4.40 | 3.825 |
| SBCP-11HY680H | 68.0 | ±10% | 0.12 | 1.80 | 2.60 | 3.60 | 3.300 |
| SBCP-11HY101H | 100.0 | ±10% | 0.19 | 1.30 | 1.90 | 3.00 | 4.235 |
| SBCP-11HY151H | 150.0 | ±10% | 0.26 | 1.10 | 1.60 | 2.40 | 3.300 |
| SBCP-11HY221H | 220.0 | ±10% | 0.40 | 0.95 | 1.30 | 2.00 | 3.300 |
| SBCP-11HY331H | 330.0 | ±10% | 0.60 | 0.74 | 1.00 | 1.60 | 3.300 |
| SBCP-11HY471H | 470.0 | ±10% | 0.76 | 0.66 | 0.93 | 1.40 | 3.300 |
| SBCP-11HY681H | 680.0 | ±10% | 1.00 | 0.55 | 0.77 | 1.10 | 4.440 |
| SBCP-11HY102H | 1000.0 | ±10% | 1.70 | 0.42 | 0.60 | 0.96 | 3.300 |
| Part Number | Inductance at 10 kHz, 1 mA L (µH) | Inductance Tolerance | DC Resistance (Ω) Maximum | Rated Current (A) ΔT = 20°C | Current (Reference Value) (A) | | Weight (g) |
| | | | | | ΔT = 40°C | L Change Rate -10% | |

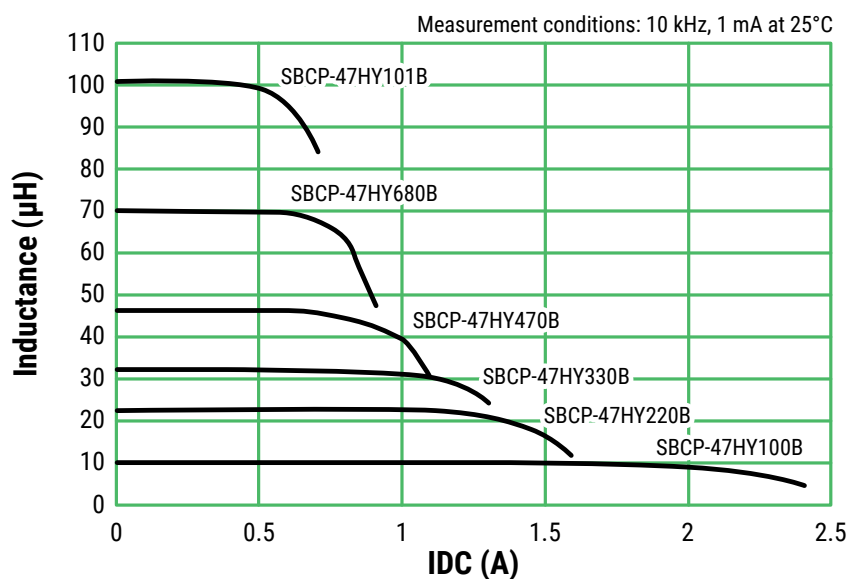
Table 1B – Ratings & Part Number Reference (cont.)

| Part Number | Inductance at 10 kHz, 1 mA L (μH) | Inductance Tolerance | DC Resistance (Ω) Maximum | Rated Current (A) ΔT = 20°C | Current (Reference Value) (A) | | Weight (g) |
|---------------|-----------------------------------|----------------------|---------------------------|-----------------------------|-------------------------------|--------------------|------------|
| | | | | | ΔT = 40°C | L Change Rate -10% | |
| SBCP-14HY1R2B | 1.2 | ±30% | 0.02 | 5.20 | 7.40 | 24.30 | 6.000 |
| SBCP-14HY2R2B | 2.2 | ±30% | 0.02 | 4.35 | 5.11 | 16.82 | 6.000 |
| SBCP-14HY3R3B | 3.3 | ±30% | 0.02 | 4.10 | 6.00 | 18.20 | 6.000 |
| SBCP-14HY4R7B | 4.7 | ±20% | 0.03 | 3.60 | 5.07 | 14.36 | 6.000 |
| SBCP-14HY6R8B | 6.8 | ±20% | 0.03 | 3.35 | 4.69 | 11.86 | 6.000 |
| SBCP-14HY100B | 10.0 | ±20% | 0.04 | 3.00 | 4.20 | 10.30 | 6.000 |
| SBCP-14HY150B | 15.0 | ±20% | 0.05 | 2.80 | 3.90 | 8.07 | 6.000 |
| SBCP-14HY220B | 22.0 | ±20% | 0.06 | 2.70 | 3.73 | 6.94 | 6.000 |
| SBCP-14HY330B | 33.0 | ±20% | 0.07 | 2.40 | 3.30 | 5.63 | 6.000 |
| SBCP-14HY470B | 47.0 | ±10% | 0.09 | 1.90 | 2.74 | 4.58 | 6.000 |
| SBCP-14HY680B | 68.0 | ±10% | 0.11 | 1.70 | 2.45 | 3.76 | 6.000 |
| SBCP-14HY101B | 100.0 | ±10% | 0.14 | 1.50 | 2.15 | 3.10 | 6.000 |
| SBCP-14HY151B | 150.0 | ±10% | 0.20 | 1.30 | 1.85 | 2.70 | 6.000 |
| SBCP-14HY221B | 220.0 | ±10% | 0.31 | 1.05 | 1.51 | 2.20 | 5.650 |
| SBCP-14HY331B | 330.0 | ±10% | 0.38 | 0.95 | 1.35 | 1.84 | 5.830 |
| SBCP-14HY471B | 470.0 | ±10% | 0.54 | 0.80 | 1.10 | 1.48 | 6.000 |
| SBCP-14HY681B | 680.0 | ±10% | 0.9 | 0.67 | 0.93 | 1.24 | 6.000 |
| SBCP-14HY102B | 1000.0 | ±10% | 1.16 | 0.59 | 0.82 | 1.01 | 6.790 |
| SBCP-14HY152B | 1500.0 | ±10% | 1.52 | 0.47 | 0.67 | 0.80 | 6.000 |
| SBCP-14HY222B | 2200.0 | ±10% | 2.36 | 0.38 | 0.54 | 0.69 | 6.840 |
| SBCP-14HY332B | 3300.0 | ±10% | 3.42 | 0.33 | 0.46 | 0.57 | 7.230 |
| SBCP-14HY472B | 4700.0 | ±10% | 4.97 | 0.27 | 0.38 | 0.48 | 6.000 |
| SBCP-14HY682B | 6800.0 | ±10% | 7.17 | 0.22 | 0.29 | 0.38 | 6.000 |
| SBCP-14HY103B | 10000.0 | ±10% | 10.86 | 0.17 | 0.24 | 0.31 | 6.000 |

| Part Number | Inductance at 10 kHz, 1 mA L (μH) | Inductance Tolerance | DC Resistance (Ω) Maximum | Rated Current (A) ΔT = 20°C | Current (Reference Value) (A) | | Weight (g) |
|---------------|-----------------------------------|----------------------|---------------------------|-----------------------------|-------------------------------|--------------------|------------|
| | | | | | ΔT = 40°C | L Change Rate -10% | |
| SBCP-14HY1R2B | 1.2 | ±30% | 0.02 | 5.20 | 7.40 | 24.30 | 6.000 |
| SBCP-14HY2R2B | 2.2 | ±30% | 0.02 | 4.35 | 5.11 | 16.82 | 6.000 |
| SBCP-14HY3R3B | 3.3 | ±30% | 0.02 | 4.10 | 6.00 | 18.20 | 6.000 |
| SBCP-14HY4R7B | 4.7 | ±20% | 0.03 | 3.60 | 5.07 | 14.36 | 6.000 |
| SBCP-14HY6R8B | 6.8 | ±20% | 0.03 | 3.35 | 4.69 | 11.86 | 6.000 |
| SBCP-14HY100B | 10.0 | ±20% | 0.04 | 3.00 | 4.20 | 10.30 | 6.000 |
| SBCP-14HY150B | 15.0 | ±20% | 0.05 | 2.80 | 3.90 | 8.07 | 6.000 |
| SBCP-14HY220B | 22.0 | ±20% | 0.06 | 2.70 | 3.73 | 6.94 | 6.000 |
| SBCP-14HY330B | 33.0 | ±20% | 0.07 | 2.40 | 3.30 | 5.63 | 6.000 |
| SBCP-14HY470B | 47.0 | ±10% | 0.09 | 1.90 | 2.74 | 4.58 | 6.000 |
| SBCP-14HY680B | 68.0 | ±10% | 0.11 | 1.70 | 2.45 | 3.76 | 6.000 |
| SBCP-14HY101B | 100.0 | ±10% | 0.14 | 1.50 | 2.15 | 3.10 | 6.000 |
| SBCP-14HY151B | 150.0 | ±10% | 0.20 | 1.30 | 1.85 | 2.70 | 6.000 |
| SBCP-14HY221B | 220.0 | ±10% | 0.31 | 1.05 | 1.51 | 2.20 | 5.650 |
| SBCP-14HY331B | 330.0 | ±10% | 0.38 | 0.95 | 1.35 | 1.84 | 5.830 |
| SBCP-14HY471B | 470.0 | ±10% | 0.54 | 0.80 | 1.10 | 1.48 | 6.000 |
| SBCP-14HY681B | 680.0 | ±10% | 0.9 | 0.67 | 0.93 | 1.24 | 6.000 |
| SBCP-14HY102B | 1000.0 | ±10% | 1.16 | 0.59 | 0.82 | 1.01 | 6.790 |
| SBCP-14HY152B | 1500.0 | ±10% | 1.52 | 0.47 | 0.67 | 0.80 | 6.000 |
| SBCP-14HY222B | 2200.0 | ±10% | 2.36 | 0.38 | 0.54 | 0.69 | 6.840 |
| SBCP-14HY332B | 3300.0 | ±10% | 3.42 | 0.33 | 0.46 | 0.57 | 7.230 |
| SBCP-14HY472B | 4700.0 | ±10% | 4.97 | 0.27 | 0.38 | 0.48 | 6.000 |
| SBCP-14HY682B | 6800.0 | ±10% | 7.17 | 0.22 | 0.29 | 0.38 | 6.000 |
| SBCP-14HY103B | 10000.0 | ±10% | 10.86 | 0.17 | 0.24 | 0.31 | 6.000 |

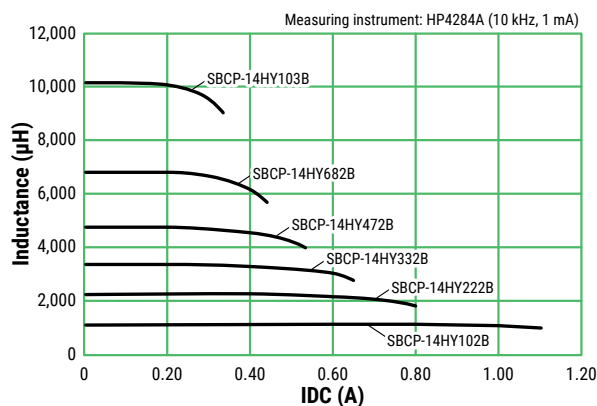
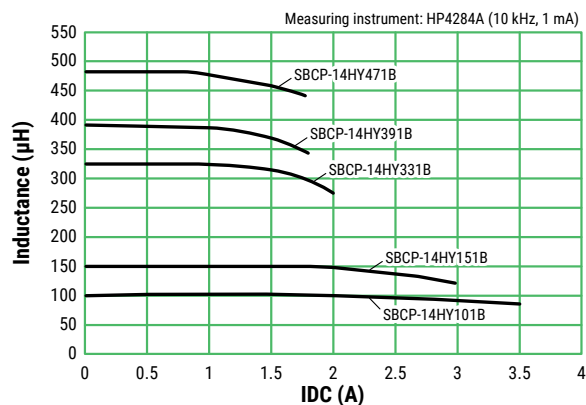
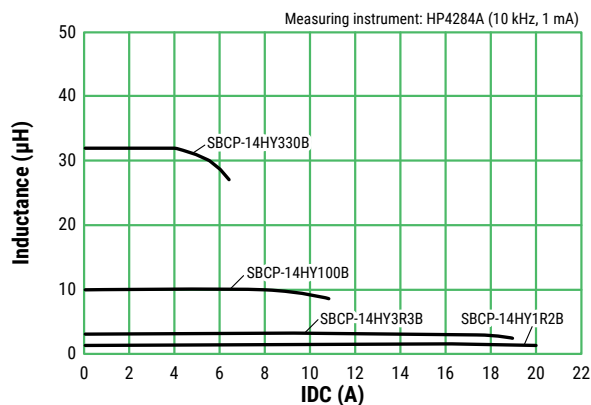
DC-Superposed Characteristics

SBCP-47HY



DC-Superposed Characteristics (cont.)

SBCP-14HY



Packaging

| Series | Packaging Type | Pieces per Box |
|-----------|----------------|--------------------|
| SBCP-47HY | Bulk | 6,000 |
| | Ammo | 4,000 ¹ |
| SBCP-87HY | Bulk | 4,000 |
| | Ammo | 2,000 ² |
| SBCP-80HY | Bulk | 4,000 |
| | Ammo | 2,000 ² |
| SBCP-11HY | Bulk | 2,000 |
| | Ammo | 1,600 ³ |
| SBCP-14HY | Bulk | 1,500 |

¹ The box contains 4 ammo packs of 1,000 pieces each

² The box contains 4 ammo packs of 500 pieces each

³ The box contains 4 ammo packs of 400 pieces each

Handling Precautions

Inductors should be stored in normal working environments. While the inductors themselves are quite robust in other environments, solderability will be degraded by exposure to high temperatures, high humidity, corrosive atmospheres, and long-term storage.

KEMET recommends that maximum storage temperature not exceed 40°C and maximum storage humidity not exceed 70% relative humidity. Atmospheres should be free of chlorine and sulfur-bearing compounds. Temperature fluctuations should be minimized to avoid condensation on the parts. For optimized solderability, inductors' stock should be used promptly, preferably within six months of receipt.

KEMET Electronics Corporation Sales Offices

For a complete list of our global sales offices, please visit www.kemet.com/sales.

Disclaimer

All product specifications, statements, information and data (collectively, the "Information") in this datasheet are subject to change. The customer is responsible for checking and verifying the extent to which the Information contained in this publication is applicable to an order at the time the order is placed. All Information given herein is believed to be accurate and reliable, but it is presented without guarantee, warranty, or responsibility of any kind, expressed or implied.

Statements of suitability for certain applications are based on KEMET Electronics Corporation's ("KEMET") knowledge of typical operating conditions for such applications, but are not intended to constitute – and KEMET specifically disclaims – any warranty concerning suitability for a specific customer application or use. The Information is intended for use only by customers who have the requisite experience and capability to determine the correct products for their application. Any technical advice inferred from this Information or otherwise provided by KEMET with reference to the use of KEMET's products is given gratis, and KEMET assumes no obligation or liability for the advice given or results obtained.

Although KEMET designs and manufactures its products to the most stringent quality and safety standards, given the current state of the art, isolated component failures may still occur. Accordingly, customer applications which require a high degree of reliability or safety should employ suitable designs or other safeguards (such as installation of protective circuitry or redundancies) in order to ensure that the failure of an electrical component does not result in a risk of personal injury or property damage.

Although all product-related warnings, cautions and notes must be observed, the customer should not assume that all safety measures are indicated or that other measures may not be required.

When providing KEMET products and technologies contained herein to other countries, the customer must abide by the procedures and provisions stipulated in all applicable export laws and regulations, including without limitation the US Export Administration Regulations and the Japan Foreign Exchange and Foreign Trade Act.

KEMET is a registered trademark of KEMET Electronics Corporation.

Mouser Electronics

Authorized Distributor

Click to View Pricing, Inventory, Delivery & Lifecycle Information:

KEMET:

[SBCP-14HY331B](#) [SBCP-80HY100H](#) [SBCP-87HY101H](#) [SBCP-47HY6R8B](#) [SBCP-47HY2R2B](#) [SBCP-14HY221B](#)
[SBCP-47HY3R3B](#) [SBCP-80HY470H](#) [SBCP-47HY100B](#) [SBCP-14HY332B](#) [SBCP-87HY681H](#) [SBCP-14HY222B](#)
[SBCP-80HY101H](#) [SBCP-11HY681H](#) [SBCP-80HY820H](#) [SBCP-14HY102B](#) [SBCP-87HY4R7H](#) [SBCP-47HY331B](#)
[SBCP-80HY102H](#) [SBCP-80HY680H](#) [SBCP-11HY470H](#) [SBCP-11HY101H](#) [SBCP-47HY102B](#) [SBCP-80HY331H](#)
[SBCP-87HY6R8H](#) [SBCP-14HY2R2B](#) [SBCP-47HY1R5B](#) [SBCP-87HY680H](#) [SBCP-47HY330B](#) [SBCP-47HY270B](#)
[SBCP-14HY470B](#) [SBCP-47HY271B](#) [SBCP-14HY330B](#) [SBCP-11HY330H](#) [SBCP-14HY472B](#) [SBCP-80HY6R8H](#)
[SBCP-47HY5R6B](#) [SBCP-80HY330H](#) [SBCP-87HY471H](#) [SBCP-80HY681H](#) [SBCP-14HY6R8B](#) [SBCP-80HY220H](#)
[SBCP-87HY151H](#) [SBCP-87HY221H](#) [SBCP-47HY820B](#) [SBCP-47HY120B](#) [SBCP-47HY151B](#) [SBCP-11HY3R3H](#)
[SBCP-47HY390B](#) [SBCP-14HY681B](#) [SBCP-87HY331H](#) [SBCP-80HY221H](#) [SBCP-14HY680B](#) [SBCP-87HY330H](#)
[SBCP-14HY4R7B](#) [SBCP-47HY3R9B](#) [SBCP-11HY4R7H](#) [SBCP-11HY680H](#) [SBCP-80HY471H](#) [SBCP-47HY470B](#)
[SBCP-14HY471B](#) [SBCP-47HY1R2B](#) [SBCP-14HY220B](#) [SBCP-11HY150H](#) [SBCP-14HY100B](#) [SBCP-14HY151B](#)
[SBCP-47HY221B](#) [SBCP-47HY680B](#) [SBCP-14HY3R3B](#) [SBCP-11HY1R5H](#) [SBCP-80HY4R7H](#) [SBCP-47HY2R7B](#)
[SBCP-11HY2R2H](#) [SBCP-87HY820H](#) [SBCP-11HY102H](#) [SBCP-47HY471B](#) [SBCP-11HY220H](#) [SBCP-80HY3R3H](#)
[SBCP-47HY391B](#) [SBCP-47HY560B](#) [SBCP-87HY100H](#) [SBCP-47HY821B](#) [SBCP-80HY151H](#) [SBCP-47HY220B](#)
[SBCP-47HY8R2B](#) [SBCP-14HY103B](#) [SBCP-87HY220H](#) [SBCP-47HY121B](#) [SBCP-11HY471H](#) [SBCP-80HY150H](#)
[SBCP-11HY331H](#) [SBCP-11HY151H](#) [SBCP-87HY3R3H](#) [SBCP-87HY150H](#) [SBCP-14HY101B](#) [SBCP-80HY2R2H](#)
[SBCP-14HY150B](#) [SBCP-47HY4R7B](#) [SBCP-11HY6R8H](#) [SBCP-14HY682B](#)