

Antenna - ANT-DIR-2459-01 - 2701186

Please be informed that the data shown in this PDF Document is generated from our Online Catalog. Please find the complete data in the user's documentation. Our General Terms of Use for Downloads are valid (<http://phoenixcontact.com/download>)

Panel antenna, 2.4/5 GHz, 9 dBi, linear vertical, N (female), IP67, incl. mounting bracket and mast clips for 25 mm - 85 mm diameter, stainless steel, ATEX & IECEx approval



Product Features

- For large distances with a line of sight
- ATEX & IECEx approval



Key Commercial Data

Packing unit	1 pc
Weight per Piece (excluding packing)	440.0 g
Custom tariff number	85177011
Country of origin	Switzerland

Technical data

Dimensions

Width	80 mm
Height	101 mm
Length	35 mm

Ambient conditions

Degree of protection	IP67
Ambient temperature (operation)	-40 °C ... 75 °C
Ambient temperature (storage/transport)	-40 °C ... 75 °C

General

With connecting cable	No
Frequency range	2.4 GHz

Antenna - ANT-DIR-2459-01 - 2701186

Technical data

General

	5 GHz
	2.4 GHz ... 2.5 GHz
	5.15 GHz ... 5.875 GHz
Horizontal beamwidth	75 ° (At 2.4 GHz)
Vertical beamwidth	55 ° (At 2.4 GHz)
Polarization	Linear vertical
Impedance	50 Ω
Gain	9 dBi
Wind velocity	160 km/h (Has a force of 15 N)
Connection method	N (female)
Conformance	CE-compliant
ATEX	# II 1G Ex ia IIC T6 Ga
IECEX	Ex ia IIC T6 Ga
Material	Lexan EXL 9330
Mounting type	Mast mounting or wall mounting

Standards and Regulations

Standards/regulations	EN 60079-0
	EN 60079-11
	EN 60079-26
Conformance	CE-compliant
ATEX	# II 1G Ex ia IIC T6 Ga
IECEX	Ex ia IIC T6 Ga

Classifications

eCl@ss

eCl@ss 4.0	27240409
eCl@ss 4.1	27240409
eCl@ss 5.0	27242215
eCl@ss 5.1	27242208
eCl@ss 6.0	27242208
eCl@ss 7.0	27242208
eCl@ss 8.0	19070105
eCl@ss 9.0	19070105

ETIM

ETIM 3.0	EC001423
----------	----------

Antenna - ANT-DIR-2459-01 - 2701186

Classifications

ETIM

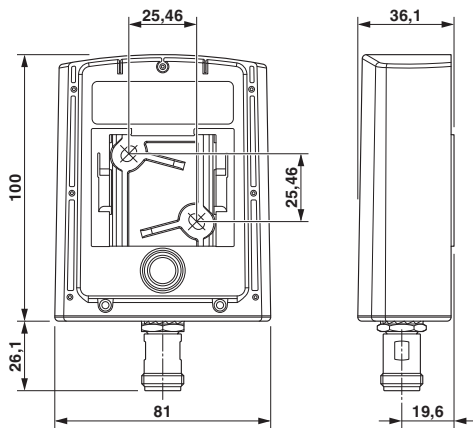
ETIM 4.0	EC000416
ETIM 5.0	EC001698

UNSPSC

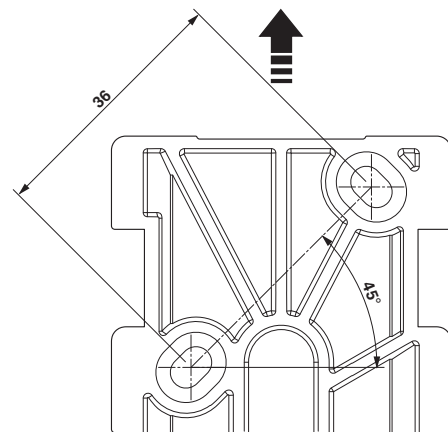
UNSPSC 6.01	20142601
UNSPSC 7.0901	20142601
UNSPSC 11	20142601
UNSPSC 12.01	20142601
UNSPSC 13.2	20142601

Drawings

Dimensional drawing



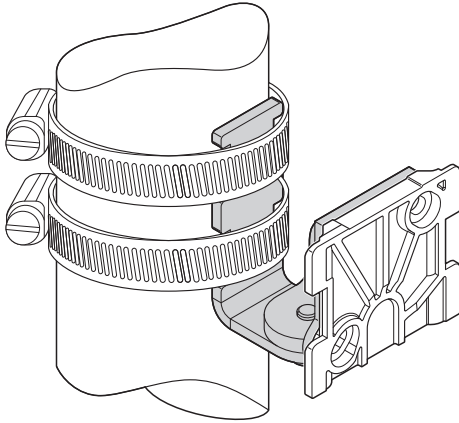
Dimensional drawing



Mounting plate

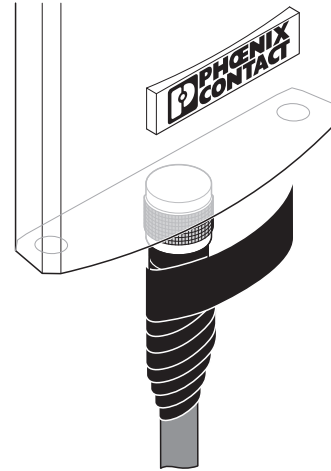
Antenna - ANT-DIR-2459-01 - 2701186

Schematic diagram



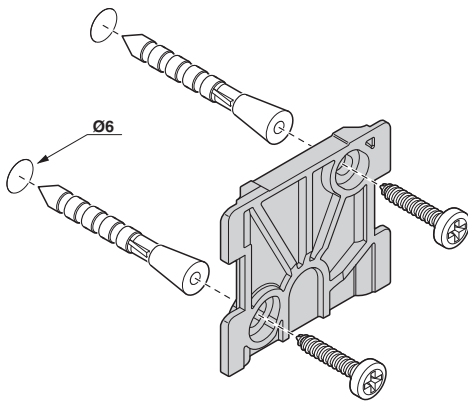
Mast mounting

Schematic diagram



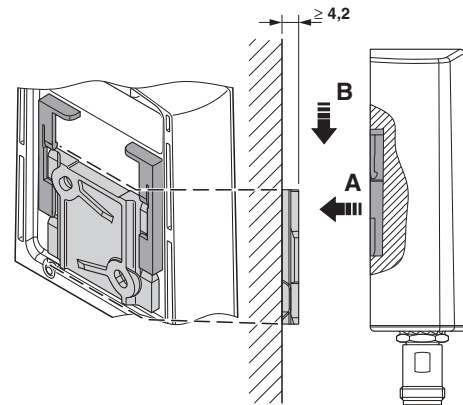
Sealing tape

Schematic diagram



Mounting plate

Schematic diagram



Wall mounting

Mouser Electronics

Authorized Distributor

Click to View Pricing, Inventory, Delivery & Lifecycle Information:

[Phoenix Contact:](#)

[2701186](#)