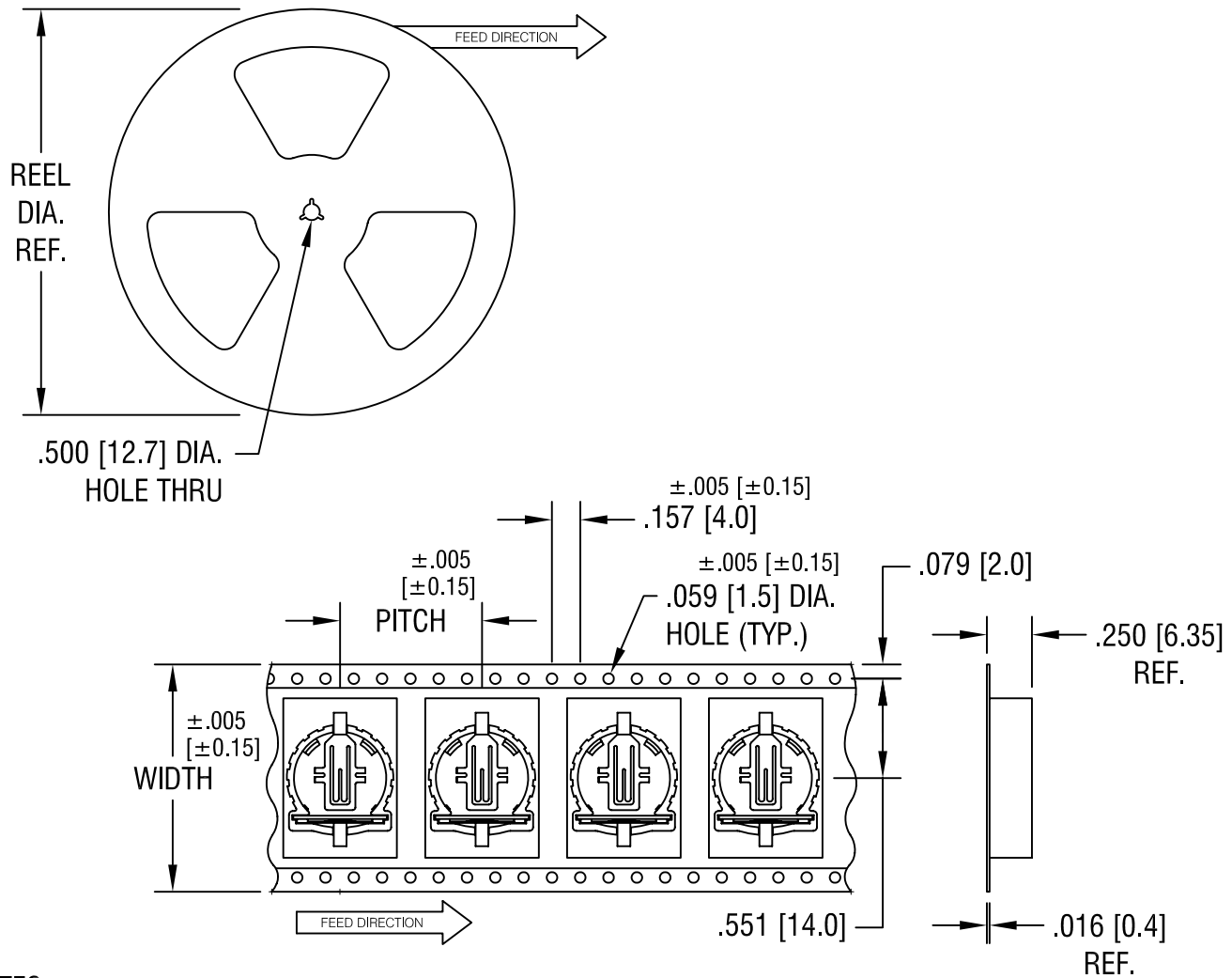


THIS DOCUMENT IS THE PROPERTY OF KEYSTONE ELECTRONICS CORP. AND SHALL NOT BE REPRODUCED, DISTRIBUTED OR USED AS A BASIS FOR MANUFACTURE WITHOUT PRIOR WRITTEN PERMISSION FROM KEYSTONE ELECTRONICS CORP.



NOTES:

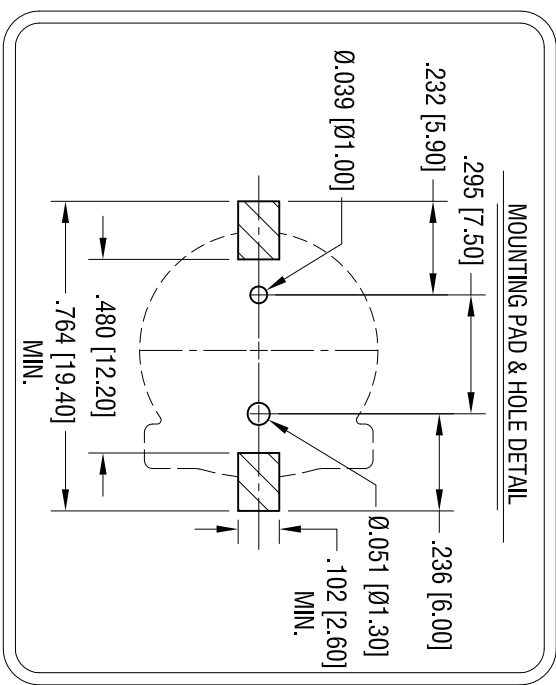
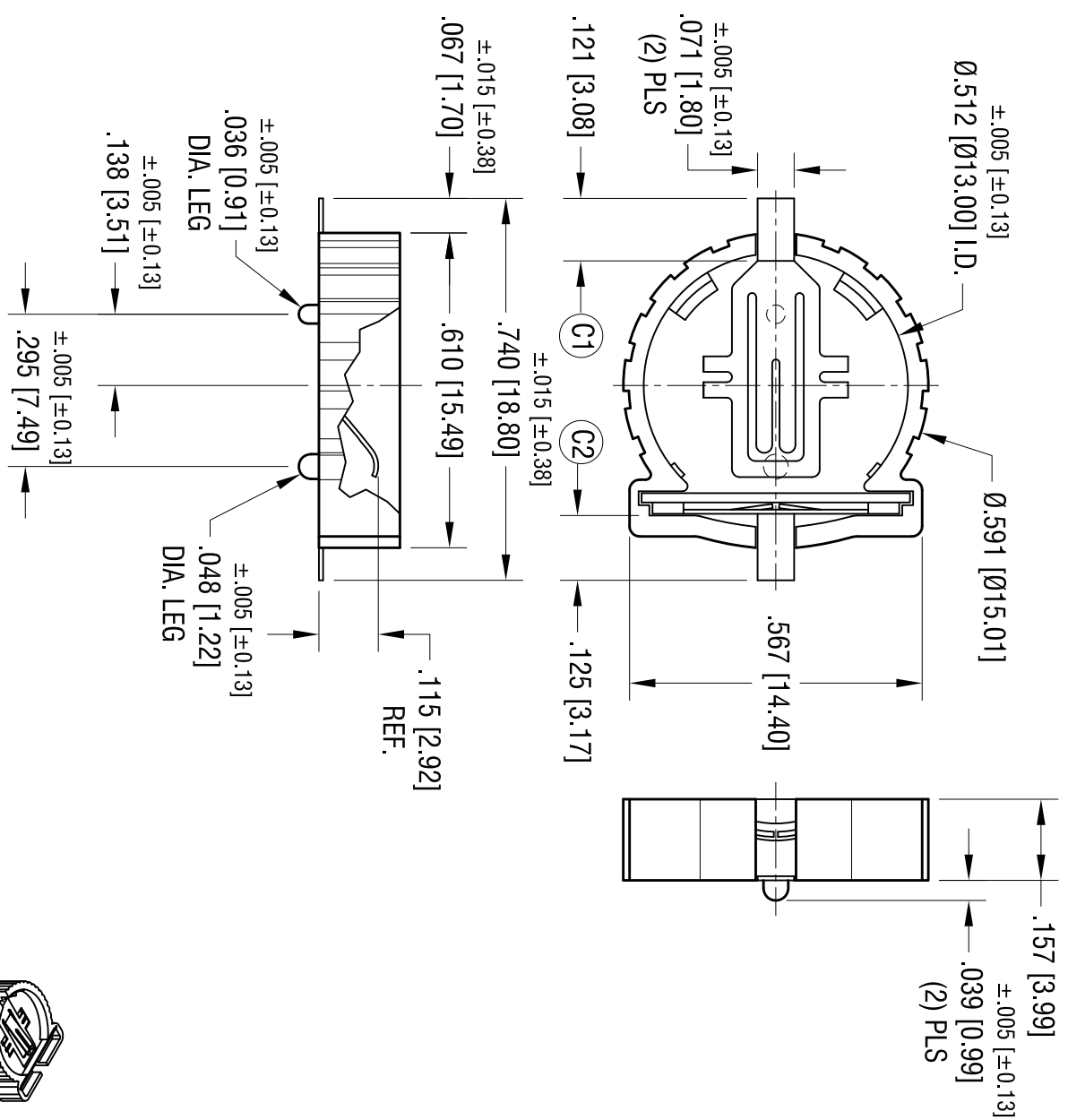
TAPE AND REEL SPECIFICATIONS:

1. TAPE:
 MAT'L - ALL CONDUCTIVE POLYSTYRENE CARRIER
 ANSI/EIA-481 STANDARD
 1.260 [32.0] WIDE; .787 [20.0] PITCH
2. REEL:
 13.0 [330.2] DIA. 500 PIECES OF
 PART NO. 1056 PER REEL.

| | | | |
|------------------------------------|-----------------|--------|---------------|
| KEYSTONE ELECTRONICS CORP. | | | |
| ASTORIA, N.Y. 11105-2017 | | | |
| PART NAME | | | |
| 1220mm SM COIN CELL HOLDER ON TAPE | | | |
| MATERIAL | | | |
| AS NOTED | | | |
| FINISH | | DRN BY | DATE |
| AS NOTED | | BOONE | 6.18.07 |
| | | APP'D | SCALE |
| | | LN | X |
| TOLERANCES | INCH [MM] | CODE | DWG NO. |
| DECIMAL | ± .015 [± 0.38] | C/M | 1056TR |
| ANGULAR | ± 1° | | |
| UNLESS OTHERWISE SPECIFIED | | | |

| | | |
|------|-------------|------|
| | | |
| DATE | DESCRIPTION | REV. |

| DATE | DESCRIPTION | REV. |
|----------|---|------|
| 12.08.08 | CHANGE AS PER ECN 08-188 | A |
| 3.09.16 | CHANGE AS PER ECN 16-037 UPDATE MTC DETAIL | B |
| 12.22.17 | CHANGE AS PER ECN 17-083 ADD DIMENSIONS (C1), (C2) | C |



ACTUAL SIZE

- NOTES:
1. BASE:
MAT'L - GLASS FILLED PPS UL 94V-0
 2. CONTACTS:
MAT'L - .008 [0.20] THK PHOSPHOR BRONZE
FINISH - GOLD FLASH , OVER NICKEL PLATE

| | | | |
|---|---------------|-----------------|-----------------|
| KEYSTONE ELECTRONICS CORP. | | | |
| www.keystec.com • ASTORIA, N.Y. 11105-2017 • Tel (718) 956-8900 | | | |
| PART NAME 1220 BATTERY HOLDER, SMT | | | |
| MATERIAL AS NOTED | | | |
| FINISH AS NOTED | | | |
| TOLERANCES | INCH | [MM] | CODE |
| DECIMAL | $\pm .010$ | [± 0.25] | C |
| ANGULAR | $\pm 1^\circ$ | | |
| DRN BY BOONE | | DATE 9.15.05 | DWG NO. 1056 |
| APP'D LN | | SCALE 3X | |

THIS DOCUMENT IS THE PROPERTY OF KEYSTONE ELECTRONICS CORP. AND SHALL NOT BE REPRODUCED, DISTRIBUTED OR USED AS A BASIS FOR MANUFACTURE WITHOUT PRIOR WRITTEN PERMISSION FROM KEYSTONE ELECTRONICS CORP.

Mouser Electronics

Authorized Distributor

Click to View Pricing, Inventory, Delivery & Lifecycle Information:

[Keystone Electronics:](#)

[1056TR](#)