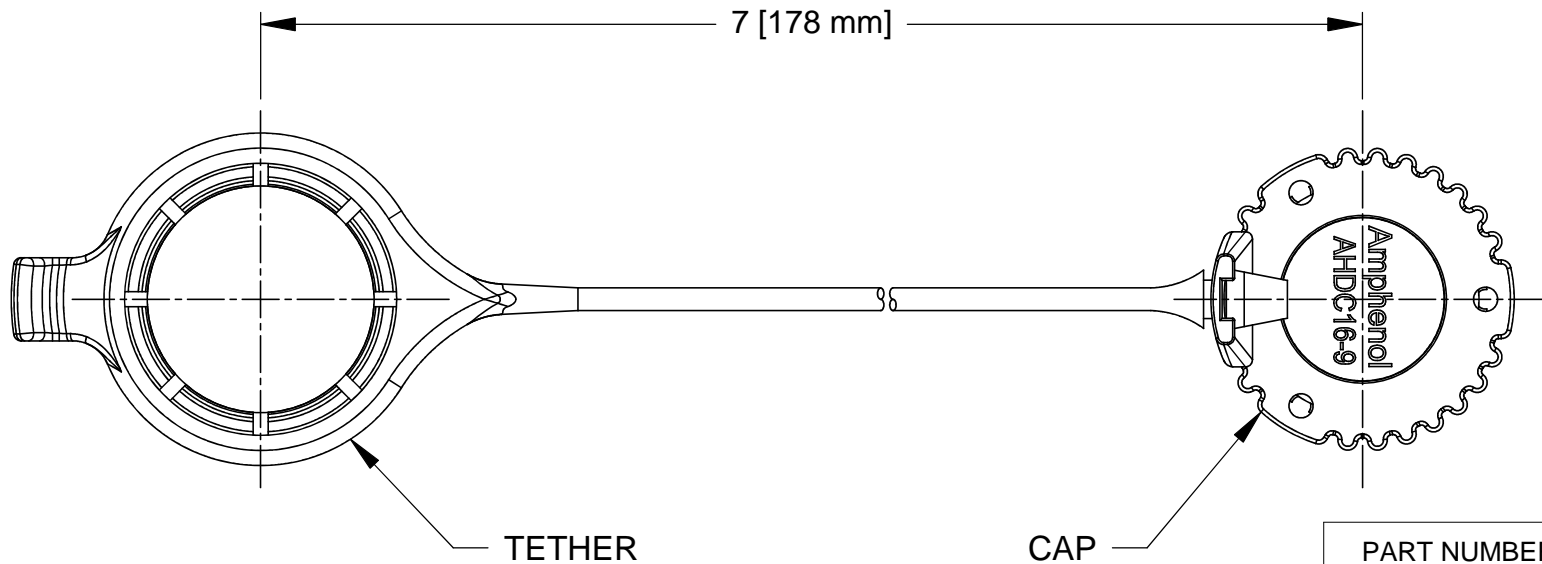


REVISIONS					
REV	ECO	DESCRIPTION	DATE	BY	APPR
A3		RELEASE NEW DWG FORMAT	03SEP13	JARRY	



PART NUMBER CHART	
COLOR	PART NUMBER
GREY	AHDC169-T
BLACK	AHDC169-T-BLK

1	AHDC-09T	TETHER	2
1	AHDC-16-9-XXX	CAP	1
QUANTITY	PART NUMBER	DESCRIPTION	ITEM

NOTES: UNLESS OTHERWISE SPECIFIED

1. COMPATIBLE WITH AHD SERIES 9 POSITION RECEPTACLES
2. ALL COMPONENTS ARE RoHS COMPLIANT.
3. ALL DIMENSIONS ARE FOR REFERENCE USE ONLY.

MATERIALS LIST												
UNLESS OTHERWISE SPECIFIED: 1) All dimensions are in metric(mm). 2) Tolerances are as follows: 1 PL DEC ±0.30 2 PL DEC ±0.15 3 PL DEC ±0.08 Fractions ±1/64 Angles ±1° 3) Note reference =		SIGNATURES	DATE	<h1>Amphenol</h1> <p>Sine Systems - www.amphenol-sine.com 44724 Morley Drive Clinton Township, MI 48036</p> <p>AHD CAP WITH TETHER</p>								
MATERIAL SPECIFICATIONS:		DRAWN: JARRY	03SEP13									
PROCESS SPECIFICATIONS:		CHECKED:										
NEXT ASSY:		ENGINEER:										
		APPROVAL:										
		CUSTOMER:										
		THIS DRAWING IS SUPPLIED FOR INFORMATION ONLY. DESIGN FEATURES, SPECIFICATIONS AND PERFORMANCE DATA SHOWN HEREON ARE THE PROPERTY OF THE AMPHENOL CORPORATION. NO RIGHTS OF REPRODUCTION ARE IMPLIED. ALL DIMENSIONS ARE SUBJECT TO NORMAL MANUFACTURING VARIATIONS.		<table border="1"> <tr> <td>SIZE</td> <td>TYPE</td> <td>DWG NO:</td> <td>REVISION</td> </tr> <tr> <td>A</td> <td>C-</td> <td>AHDC169-T-XXX</td> <td>A3</td> </tr> </table>	SIZE	TYPE	DWG NO:	REVISION	A	C-	AHDC169-T-XXX	A3
SIZE	TYPE	DWG NO:	REVISION									
A	C-	AHDC169-T-XXX	A3									
		SCALE: NONE		SHEET 1 OF 1								

Mouser Electronics

Authorized Distributor

Click to View Pricing, Inventory, Delivery & Lifecycle Information:

[Amphenol:](#)

[AHDC169-T-BLK](#)