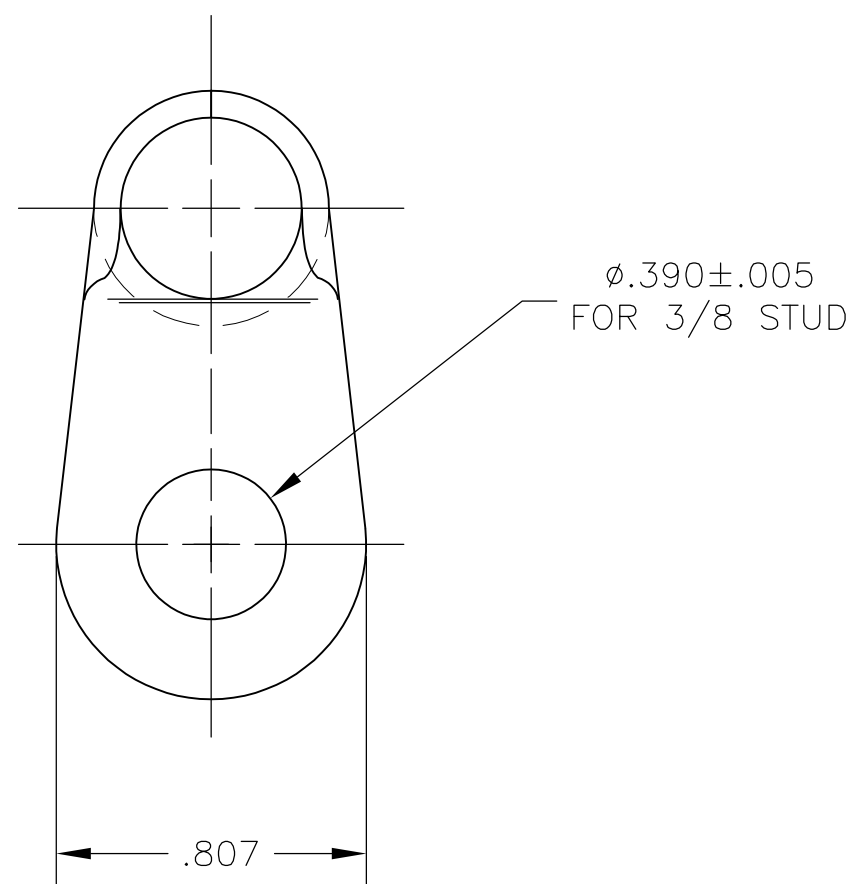
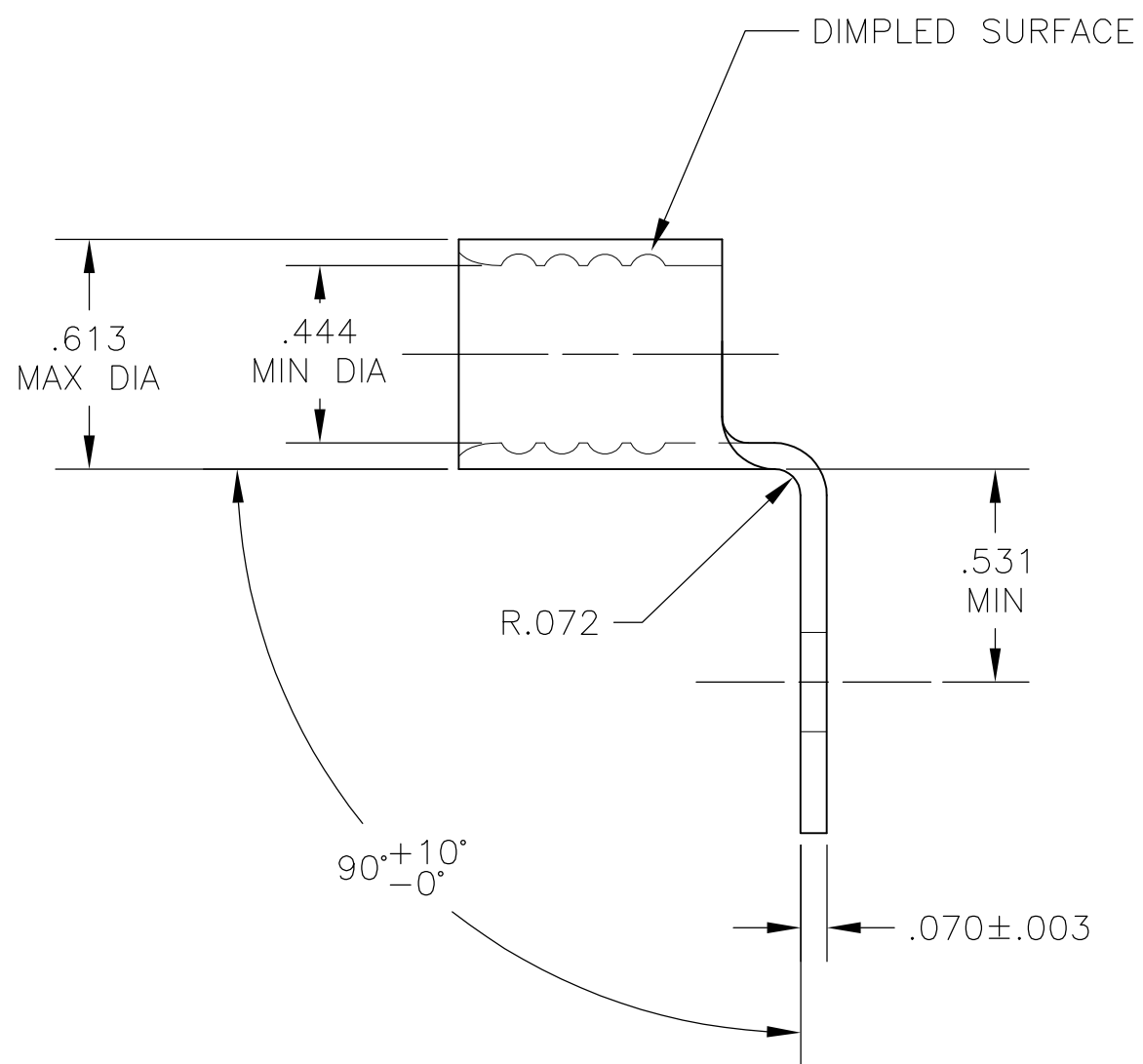


THIS DRAWING IS UNPUBLISHED. RELEASED FOR PUBLICATION
 © COPYRIGHT - By - ALL RIGHTS RESERVED.

LOC	DIST	REVISIONS			
P	LTR	DESCRIPTION	DATE	DWN	APVD
G	14				
	D1	REVISED PER ECO-12-006198	30MAR12	KH	MS



COPPER PER ASTM B-152 ANNEALED TIN PL PER ASTM B-545	322906
MATERIAL & FINISH	PART NO

THIS DRAWING IS A CONTROLLED DOCUMENT.		DWN JR RUTH 20NOV03	TE Connectivity		
DIMENSIONS: INCHES		CHK MJ SPICER 20NOV03			
		APVD MJ SPICER 20NOV03	NAME		
TOLERANCES UNLESS OTHERWISE SPECIFIED:		PRODUCT SPEC	WIRE TERMINAL SOLISTRAND, RING TONGUE, BENT 90, WIRE SIZE : 1/0		
0 PLC ± -		APPLICATION SPEC	SIZE	CAGE CODE	DRAWING NO
1 PLC ± -		WEIGHT	A3	00779	C-322906
2 PLC ± -		CUSTOMER DRAWING	SCALE	SHEET	REV
3 PLC ± .008			2:1	1 OF 1	D1
4 PLC ± -					
ANGLES ± 5°					
MATERIAL SEE TABLE	FINISH SEE TABLE				

Mouser Electronics

Authorized Distributor

Click to View Pricing, Inventory, Delivery & Lifecycle Information:

[TE Connectivity:](#)

[322906](#)