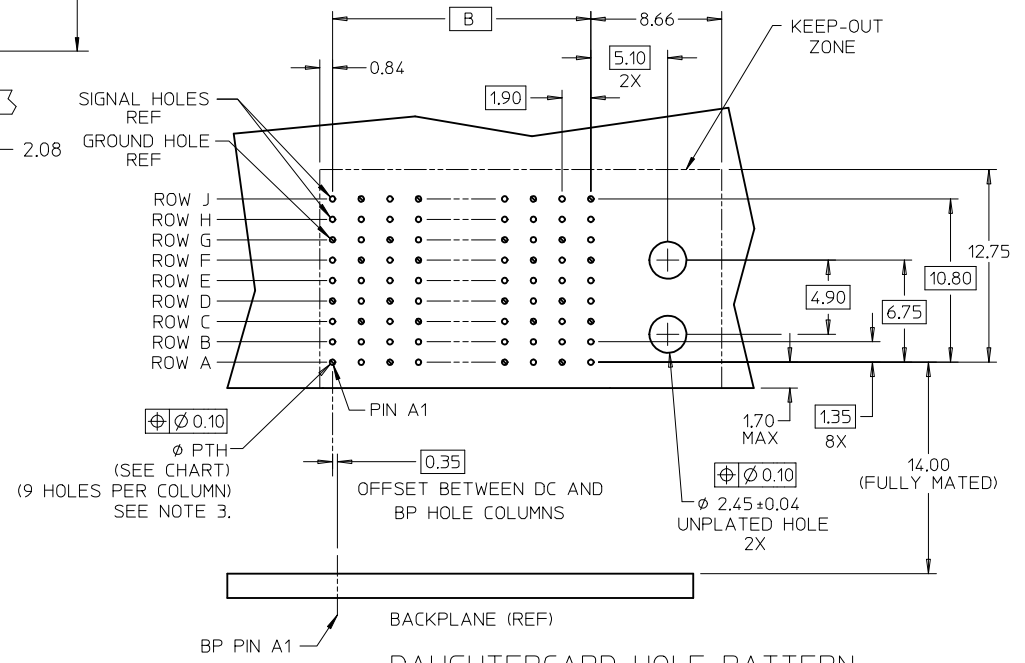


KEY SHOWN IN POSITION "G"

NOTES:

1. MATERIALS: HOUSING - LIQUID CRYSTAL POLYMER (LCP), GLASS-FILLED, UL94V-0
TERMINALS - HIGH PERFORMANCE COPPER ALLOY
2. FINISH: 30μN MIN SELECTIVE GOLD IN CONTACT AREA, SELECTIVE TIN ON PCB TAILS, NICKEL OVERALL.
3. REFER TO MOLEX PRODUCT SPEC PS-76060-999 FOR PERFORMANCE SPECIFICATIONS AND ADDITIONAL PCB INFORMATION.
4. EACH SIGNAL WAFER CONTAINS 2 COLUMNS OF TERMINALS.
5. PRODUCT IS PACKAGED PER PK-70873-591.
6. THIS PART CONFORMS TO CLASS B REQUIREMENTS OF COSMETIC SPEC PS-45499-002.
7. REFER TO MOLEX SALES DRAWING SD-76165-003 FOR THE MATING HEADERS AND SD-76410-002 FOR THE MATING RAM CONNECTORS.
8. REFER TO MOLEX PCB ROUTING GUIDE AS-76060-990 FOR THE ANTIPAD AND ROUTING RECOMMENDATIONS.
9. PART NUMBER 76170-5720 SHOWN ON DRAWING. KEYING FEATURES WILL CHANGE WITH COLUMN SIZE.
10. MINIMUM BOARD THICKNESS IS 1.00 mm FOR COMPLIANT PIN FUNCTIONALITY.
11. WHEN USING MOLEX SUPPLIED #2-32 SCREW 73726-0005 (7.62mm +0.38/-0.76 THREADABLE SCREW LENGTH), THE MAXIMUM BOARD THICKNESS RANGE IS 1.9 mm TO 2.5 mm.
12. MARKING: LOCATED APPROXIMATELY AS SHOWN. PART NUMBER AND DATE CODE.



DAUGHTERCARD HOLE PATTERN (CONNECTOR SIDE)

ADD HOUSING COREOUT EC NO: UCP2016-4929 DRWING: MORGAN 2016/06/29 CHKD: TIBARRA 2016/06/29 APPR: TELO 2017/06/21	QUALITY SYMBOLS	GENERAL TOLERANCES (UNLESS SPECIFIED)		DIMENSION STYLE MM ONLY		SCALE 4:1	DESIGN UNITS METRIC	THIRD ANGLE PROJECTION
	▽=0	mm	INCH	DRAWN BY JLAURX	DATE 2008/01/29	IMPACT 100 OHM DC 3 PAIR SIGNAL MODULE GUIDE RIGHT SALES DWG molex SD-76170-004 SHEET NO. 1 OF 2		
	▽=0	4 PLACES ± --- ± ---	3 PLACES ± --- ± ---	CHECKED BY TELO	DATE 2008/01/29			
	▽=0	2 PLACES ± 0.13 ± ---	1 PLACE ± 0.25 ± ---	APPROVED BY JLAURX	DATE 2008/01/29			
▽=0	0 PLACE ± ±	MATERIAL NO. SEE CHART		DOCUMENT NO. SD-76170-004				
REV	ANGULAR ±1/2°		DRAFT WHERE APPLICABLE MUST REMAIN WITHIN DIMENSIONS		THIS DRAWING CONTAINS INFORMATION THAT IS PROPRIETARY TO MOLEX INCORPORATED AND SHOULD NOT BE USED WITHOUT WRITTEN PERMISSION			

MATERIAL NUMBER	# OF COLUMNS	# OF DIFF PAIR	DIM "A" MAX	DIM "B"	PTH ϕ
76170-***6	6	18	19.00	9.50	0.46 ± 0.05
76170-***8	8	24	22.80	13.30	
76170-***0	10	30	26.60	17.10	
76170-***4	14	42	34.20	24.70	
76170-***6	16	48	38.00	28.50	
76170-***6	6	18	19.00	9.50	0.39 ± 0.05
76170-***8	8	24	22.80	13.30	
76170-***0	10	30	26.60	17.10	
76170-***4	14	42	34.20	24.70	
76170-***6	16	48	38.00	28.50	

76170-****

MODULE & TAIL PLATING TYPE
5 = RIGHT GUIDED LEAD-FREE

POLARIZATION KEY ORIENTATION

0 = NO KEY
1 = A 5 = E
2 = B 6 = F
3 = C 7 = G
4 = D 8 = H

OF COLUMNS
06 = 6 COL 0.46 PTH
08 = 8 COL 0.46 PTH
10 = 10 COL 0.46 PTH
14 = 14 COL 0.46 PTH
16 = 16 COL 0.46 PTH
20 = 10 COL 0.39 PTH
24 = 14 COL 0.39 PTH
26 = 16 COL 0.39 PTH
36 = 6 COL 0.39 PTH
38 = 8 COL 0.39 PTH

SEE SHEET 1 EC NO: UCP2016-4929 DRWN:MORGAN 2016/06/29 CHKD:TIBARRA 2016/06/29 APPR:TELO 2017/06/21	QUALITY SYMBOLS	GENERAL TOLERANCES (UNLESS SPECIFIED)	DIMENSION STYLE	SCALE	DESIGN UNITS	THIRD ANGLE PROJECTION																																
	$\nabla = 0$ $\nabla = 0$ $\nabla = 0$	<table border="1"> <thead> <tr> <th></th> <th>mm</th> <th>INCH</th> </tr> </thead> <tbody> <tr> <td>4 PLACES</td> <td>\pm ---</td> <td>\pm ---</td> </tr> <tr> <td>3 PLACES</td> <td>\pm ---</td> <td>\pm ---</td> </tr> <tr> <td>2 PLACES</td> <td>± 0.13</td> <td>\pm ---</td> </tr> <tr> <td>1 PLACE</td> <td>± 0.25</td> <td>\pm ---</td> </tr> <tr> <td>0 PLACE</td> <td>\pm</td> <td>\pm</td> </tr> </tbody> </table>		mm	INCH	4 PLACES	\pm ---	\pm ---	3 PLACES	\pm ---	\pm ---	2 PLACES	± 0.13	\pm ---	1 PLACE	± 0.25	\pm ---	0 PLACE	\pm	\pm	<table border="1"> <thead> <tr> <th colspan="2">MM ONLY</th> </tr> </thead> <tbody> <tr> <td>DRAWN BY</td> <td>DATE</td> </tr> <tr> <td>JLAURX</td> <td>2008/01/29</td> </tr> <tr> <td>CHECKED BY</td> <td>DATE</td> </tr> <tr> <td>TELO</td> <td>2008/01/29</td> </tr> <tr> <td>APPROVED BY</td> <td>DATE</td> </tr> <tr> <td>JLAURX</td> <td>2008/01/29</td> </tr> </tbody> </table>	MM ONLY		DRAWN BY	DATE	JLAURX	2008/01/29	CHECKED BY	DATE	TELO	2008/01/29	APPROVED BY	DATE	JLAURX	2008/01/29	4:1	METRIC	
		mm	INCH																																			
	4 PLACES	\pm ---	\pm ---																																			
3 PLACES	\pm ---	\pm ---																																				
2 PLACES	± 0.13	\pm ---																																				
1 PLACE	± 0.25	\pm ---																																				
0 PLACE	\pm	\pm																																				
MM ONLY																																						
DRAWN BY	DATE																																					
JLAURX	2008/01/29																																					
CHECKED BY	DATE																																					
TELO	2008/01/29																																					
APPROVED BY	DATE																																					
JLAURX	2008/01/29																																					
REV	DESCRIPTION	ANGULAR $\pm 1/2^\circ$	MATERIAL NO.	DOCUMENT NO.	SHEET NO.																																	
K		DRAFT WHERE APPLICABLE MUST REMAIN WITHIN DIMENSIONS	SEE CHART	SD-76170-004	2 OF 2																																	

IMPACT 100 OHM DC
3 PAIR SIGNAL MODULE
GUIDE RIGHT SALES DWG

molex

THIS DRAWING CONTAINS INFORMATION THAT IS PROPRIETARY TO MOLEX INCORPORATED AND SHOULD NOT BE USED WITHOUT WRITTEN PERMISSION