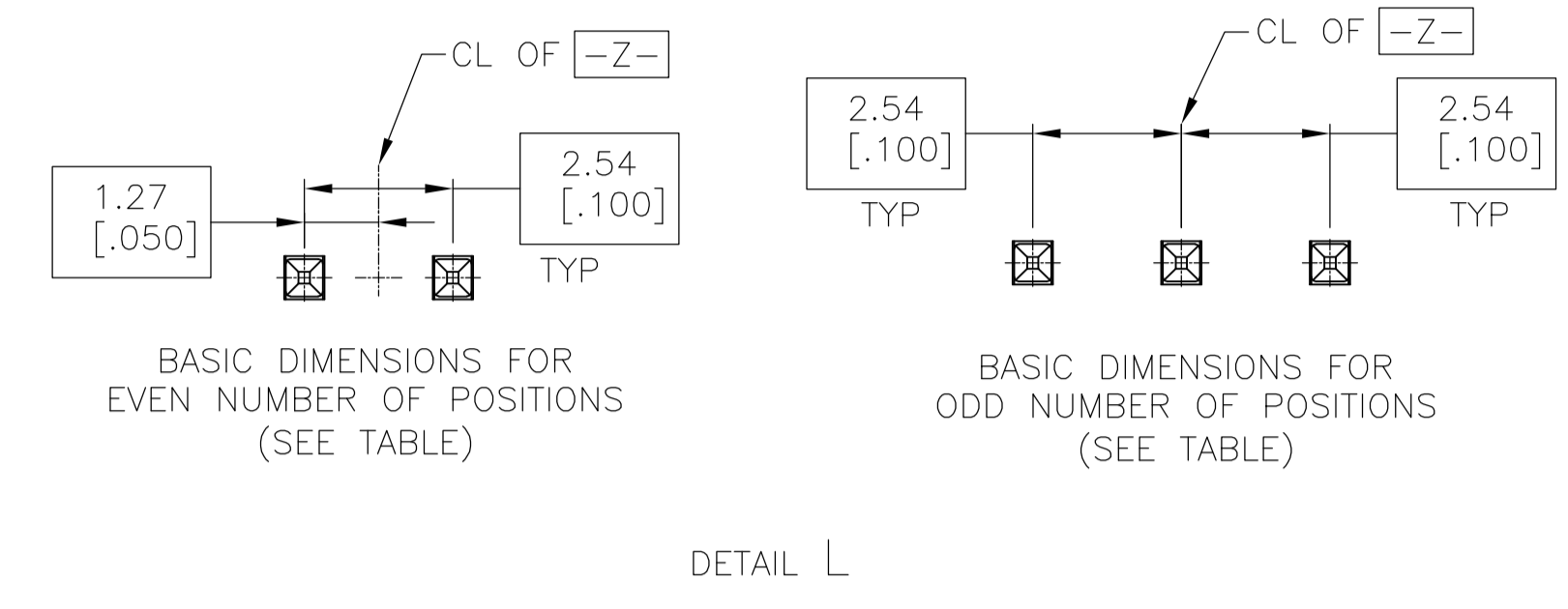
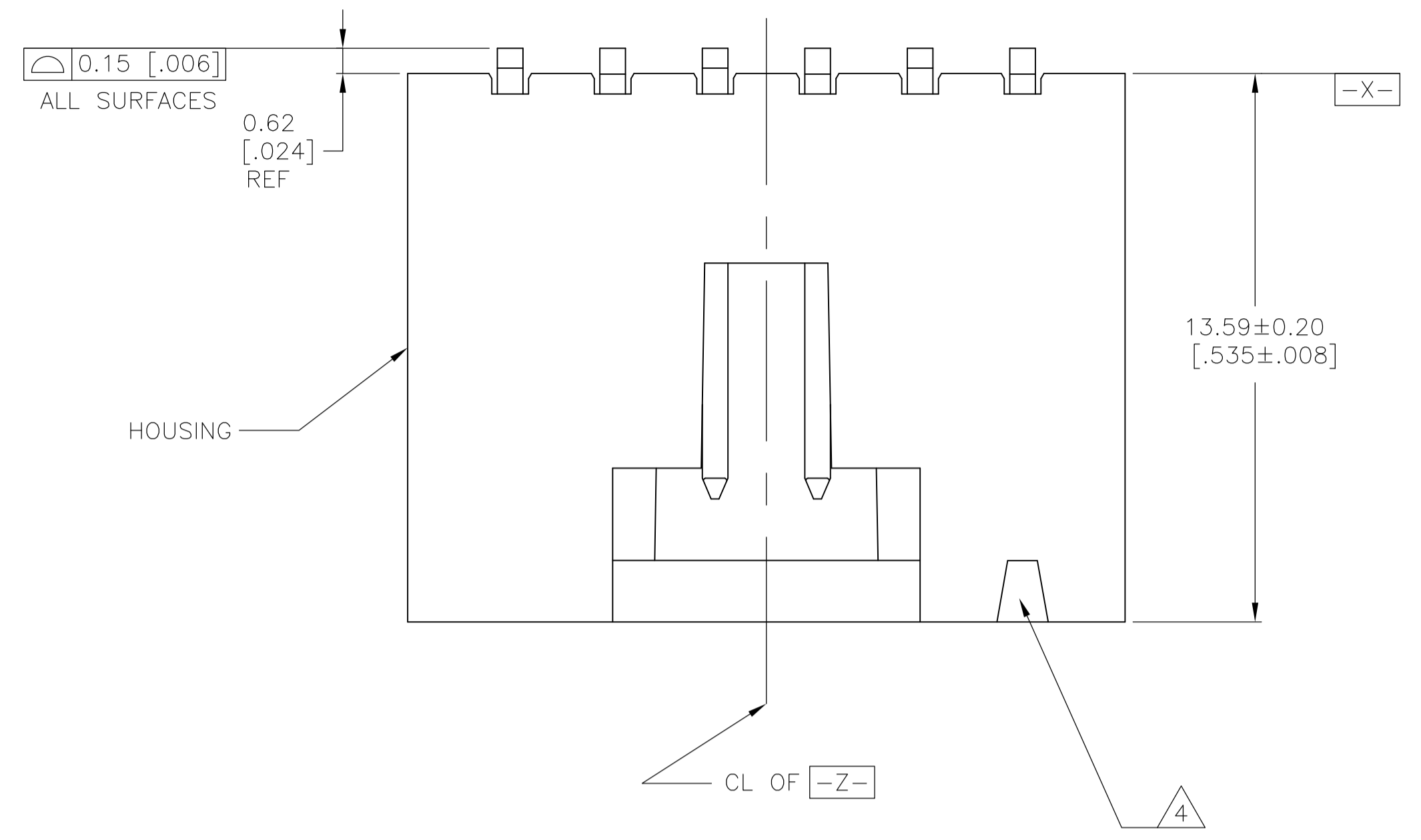
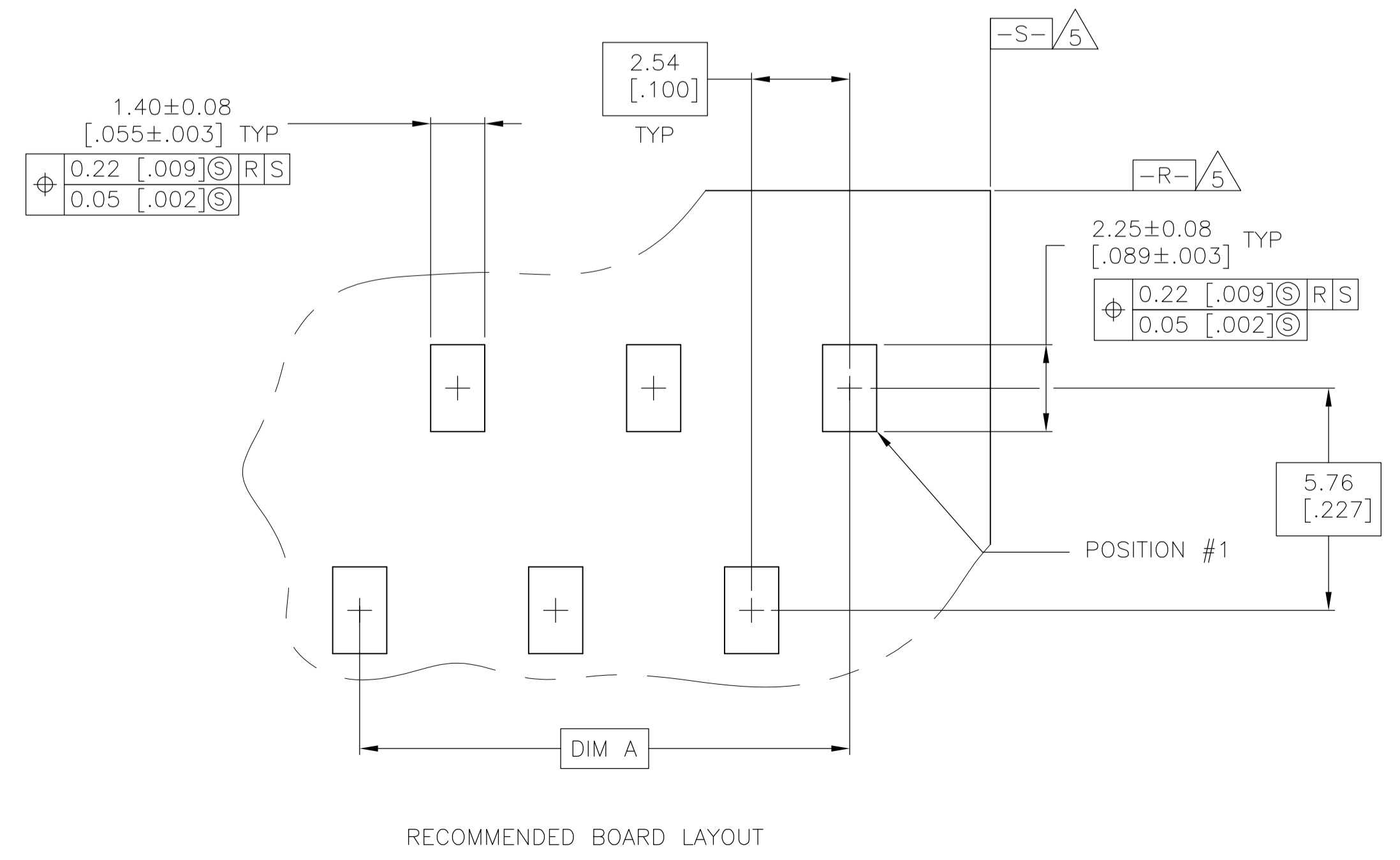
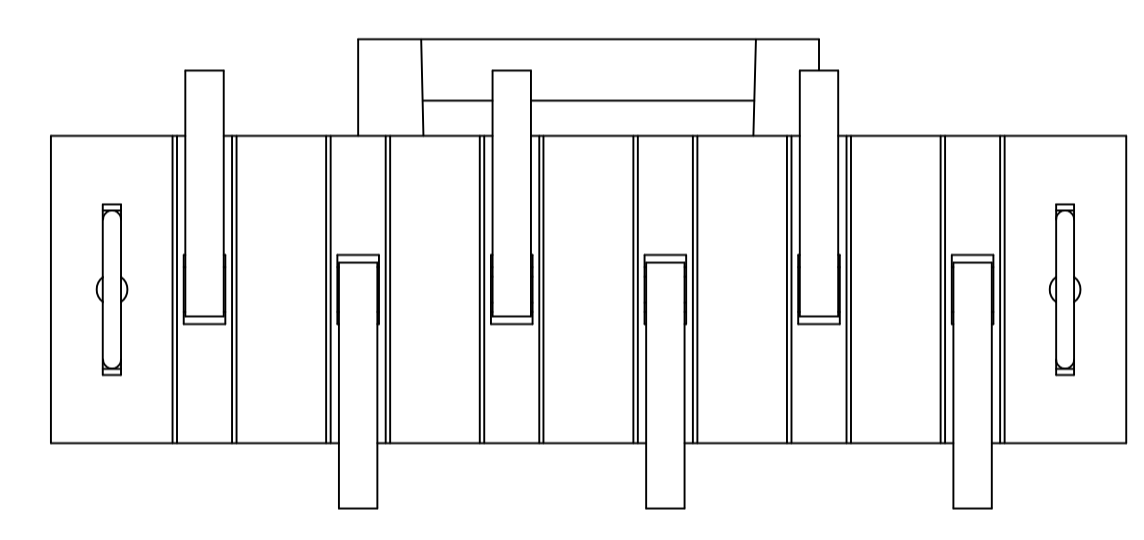
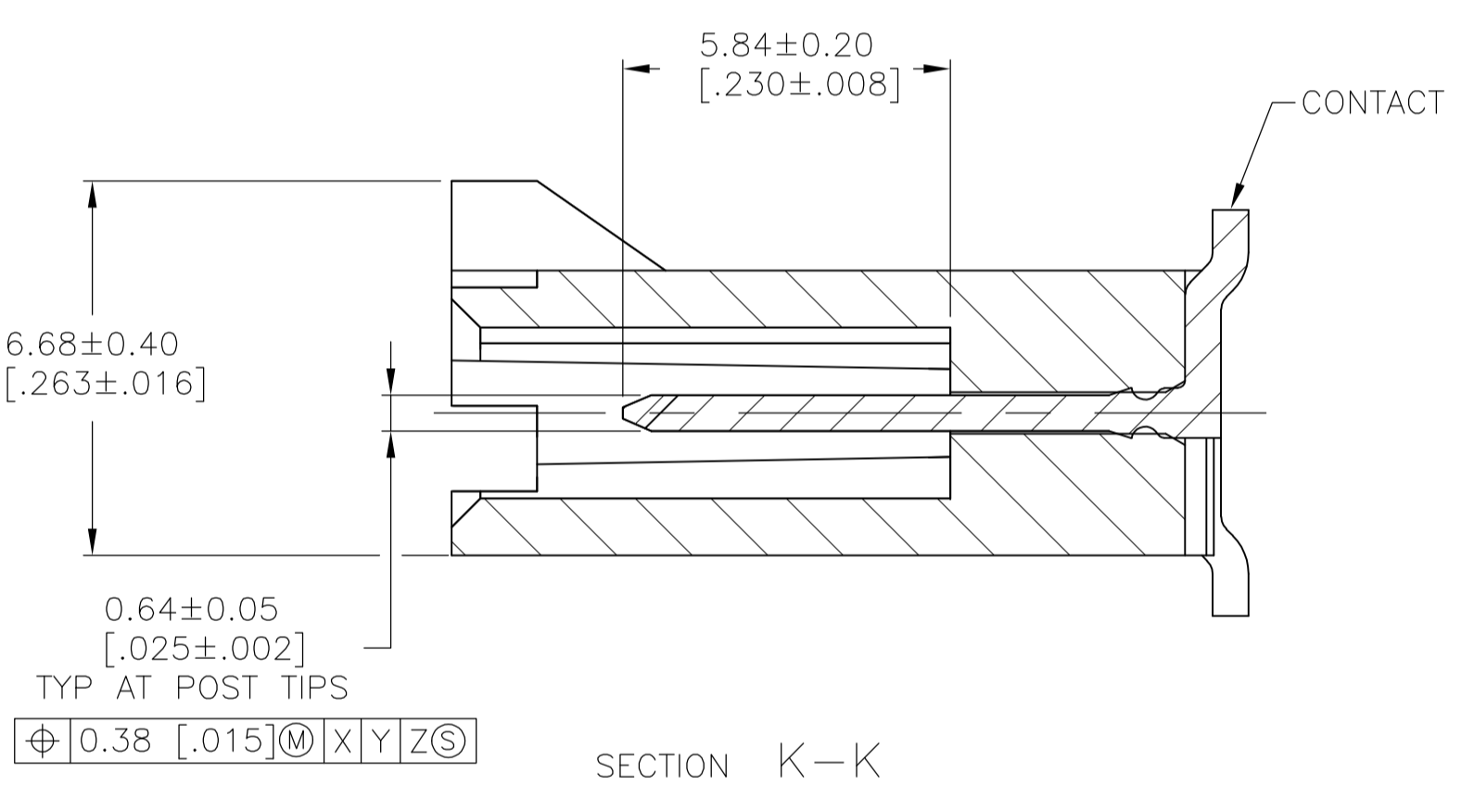
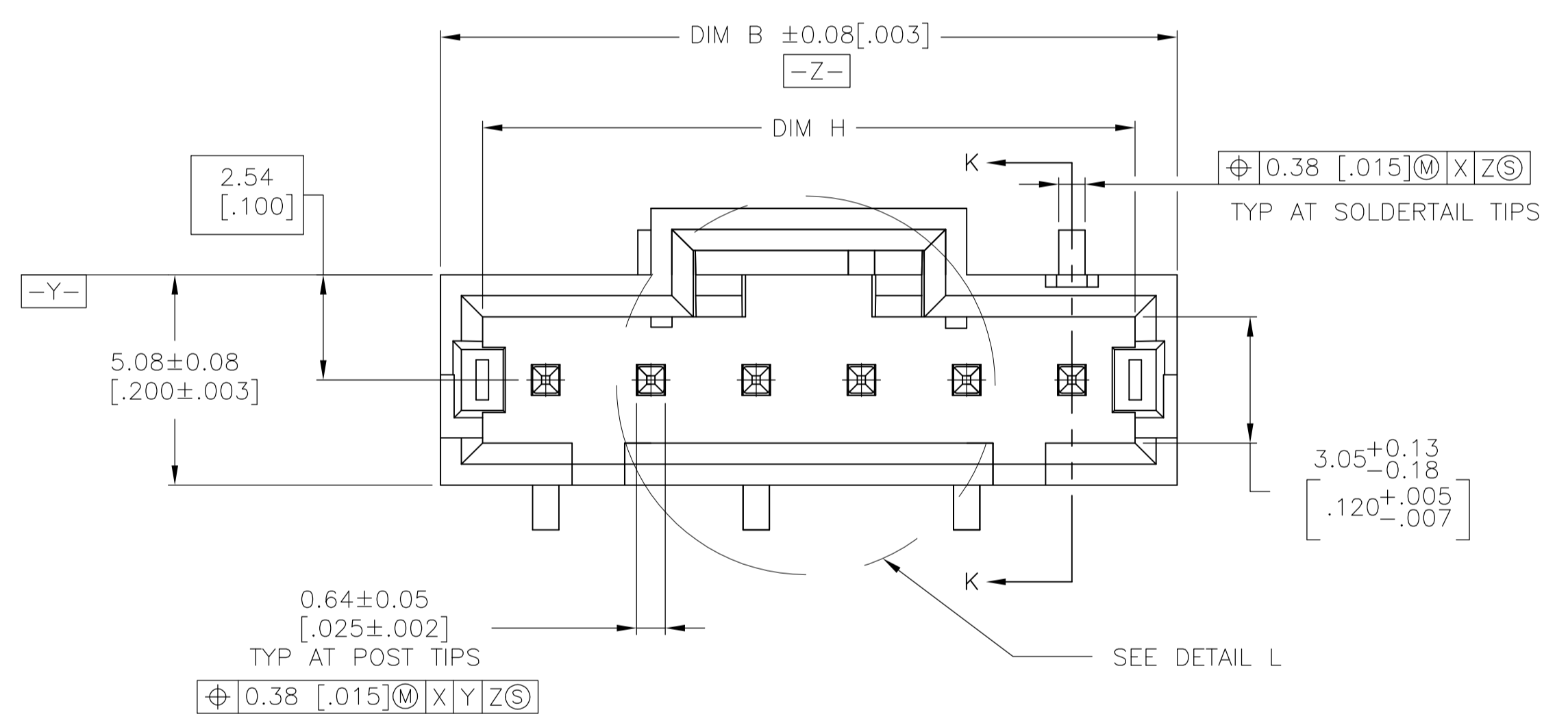


| REVISIONS | | | | | |
|-----------|-----------|---------------------------|-----|-----|------|
| REV | DATE | DESCRIPTION | BY | CHK | APPV |
| E | 03FEB10 | REVISED PER ECO-10-002248 | HMR | JG | |
| F | 24MAY2017 | REVISED PER ECO-17-002213 | BDA | MM | |



- 1 PACKAGE: TUBES
- 2 MATERIAL: HOUSING- HIGH TEMPERATURE LCP, COLOR - BLACK, CONTACTS- BRASS
- 3 FINISH: CONTACTS: 0.00254[.000100] - 0.00508[.000200] BRIGHT TIN-LEAD OVER 0.00127[.000050] NICKEL
- 4 CIRCUIT POSITION #1 IDENTIFICATION MARK
- 5 DATUMS ARE ESTABLISHED BY CUSTOMER
- 6 PRELIMINARY PART - NOT RELEASED FOR PRODUCTION
- 7 FINISH: CONTACTS: 0.00254[.000100] - 0.00508[.000200] MATTE TIN OVER 0.00127[.000050] NICKEL.



| REV | DESCRIPTION | H | B | A | NO OF POSN | PART NUMBER |
|-----|-------------|---------------|---------------|---------------|------------|-------------|
| 7 | | 41.18 [1.620] | 43.05 [1.695] | 38.13 [1.500] | 16 | 5-1825574-8 |
| 7 | | 10.68 [0.420] | 12.57 [0.495] | 7.63 [0.300] | 4 | 5-1825574-7 |
| 7 | | 43.69 [1.720] | 45.59 [1.795] | 40.64 [1.600] | 17 | 5-1825574-4 |
| 3 | | 15.75 [0.620] | 17.65 [0.695] | 12.70 [0.500] | 6 | 1825574-6 |
| 3 | | 38.61 [1.520] | 40.51 [1.595] | 35.56 [1.400] | 15 | 1825574-5 |
| 3 | | 43.69 [1.720] | 45.59 [1.795] | 40.64 [1.600] | 17 | 1825574-4 |
| 3 | | 36.07 [1.420] | 37.97 [1.495] | 33.02 [1.300] | 14 | 1825574-3 |
| 3 | | 30.99 [1.220] | 32.89 [1.295] | 27.94 [1.100] | 12 | 1825574-2 |
| 3 | | 48.77 [1.920] | 50.67 [1.995] | 45.72 [1.800] | 19 | 1825574-1 |

THIS DRAWING IS A CONTROLLED DOCUMENT. DIM R BROWN 07MAR06
 CHK J GEFSEFORD DEMAR06
 APVD J GEFSEFORD DEMAR06 NAME
 PRODUCT SPEC 108-25034-2
 APPLICATION SPEC 114-25026
 MATERIAL 2 SEE TABLE FINISH WEIGHT A1 - 1825574
 CUSTOMER DRAWING SCALE 8:1 SHEET 1 OF 1 REV F

STE TE Connectivity
 AMPMODU MTE SURFACE MOUNT, VERTICAL HEADER ASSEMBLY