

### FEATURES

- Efficiency up to 86%
- Wide temperature performance at full 2 watt load, -40°C to 85°C
- Dual output from a single input rail
- Industry standard pinout
- Power sharing on output
- 1kVDC isolation 'Hi Pot Test'
- 5V, 12V, 24V & 48V input
- 5V, 9V, 12V and 15V output
- Internal SMD construction
- No external components required
- MTTF up to 1.5 million hours
- No electrolytic or tantalum capacitors
- Pin compatible with MEA1 series

### DESCRIPTION

The NMH series of industrial temperature range DC/DC converters are the standard building blocks for on-board point-of-use power systems. They are ideally suited for providing dual rail supplies on single rail boards with the added benefit of galvanic isolation to reduce circuit noise. All of the rated power may be drawn from a single pin provided the total load does not exceed 2 watts.

Pin compatibility with the NMA 1 watt series ensures minimal effort in upgrading distributed power systems.

### SELECTION GUIDE

Order Code	Nominal Input Voltage	Output Voltage	Output Current	Input Current at Rated Load	Efficiency	Isolation Capacitance	MTTF <sup>1</sup>	Package Style
	V	V	mA	mA	%	pF	kHrs	
<span style="background-color: #FFD700; padding: 2px;">Recommended</span> <span style="background-color: #00AEEF; color: white; padding: 2px; margin-left: 20px;">In Production</span>								
NMH0505DC	5	±5	±200	500	80	24	1574	DIP
NMH0509DC	5	±9	±111	494	81	28	663	
NMH0512DC	5	±12	±83	488	82	30	338	
NMH0515DC	5	±15	±67	476	84	33	187	
NMH0505SC	5	±5	±200	500	80	24	1574	SIP
NMH0509SC	5	±9	±111	494	81	28	663	
NMH0512SC	5	±12	±83	488	82	30	338	
NMH0515SC	5	±15	±67	476	84	33	187	
NMH1205DC	12	±5	±200	208	80	35	490	DIP
NMH1209DC	12	±9	±111	201	83	55	343	
NMH1212DC	12	±12	±83	198	84	63	229	
NMH1215DC	12	±15	±67	198	84	66	148	
NMH1205SC	12	±5	±200	208	80	35	490	SIP
NMH1209SC	12	±9	±111	201	83	55	343	
NMH1212SC	12	±12	±83	198	84	63	229	
NMH1215SC	12	±15	±67	198	84	66	148	
NMH2405DC	24	±5	±200	103	81	41	318	DIP
NMH2409DC	24	±9	±111	98	85	75	249	
NMH2412DC	24	±12	±83	97	86	95	183	
NMH2415DC	24	±15	±67	97	86	104	127	
NMH2405SC	24	±5	±200	103	81	41	318	SIP
NMH2409SC	24	±9	±111	98	85	75	249	
NMH2412SC	24	±12	±83	97	86	95	183	
NMH2415SC	24	±15	±67	97	86	104	127	
<b>Discontinued</b>								
NMH4805DC	48	±5	±200	51	82	45	235	DIP
NMH4809DC	48	±9	±111	51	82	74	195	
NMH4812DC	48	±12	±83	49	85	90	152	
NMH4815DC	48	±15	±67	49	85	112	112	
NMH4805SC	48	±5	±200	51	82	45	235	SIP
NMH4809SC	48	±9	±111	51	82	74	195	
NMH4812SC	48	±12	±83	49	85	90	152	
NMH4815SC	48	±15	±67	49	85	112	112	

Recommended Alternative

Contact Your Local Sales Rep

### INPUT CHARACTERISTICS

Parameter	Conditions	Min.	Typ.	Max.	Units
Voltage range	Continuous operation, 5V input types	4.5	5	5.5	V
	Continuous operation, 12V input types	10.8	12	13.2	
	Continuous operation, 24V input types	21.6	24	26.4	
	Continuous operation, 48V input types	43.2	48	52.8	
Reflected ripple current	5V input types		50		mA p-p
	12V input types		70		
	24V input types		130		
	48V input types		200		

1. Calculated using MIL-HDBK-217F with nominal input voltage at full load.

All specifications typical at T<sub>a</sub>=25°C, nominal input voltage and rated output current unless otherwise specified.



For full details go to [www.murata-ps.com/rohs](http://www.murata-ps.com/rohs)

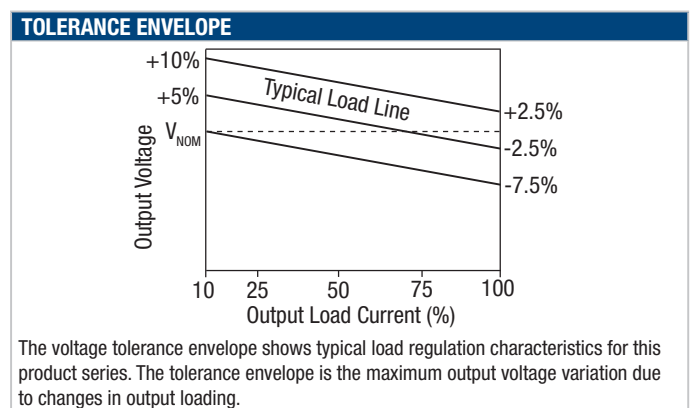
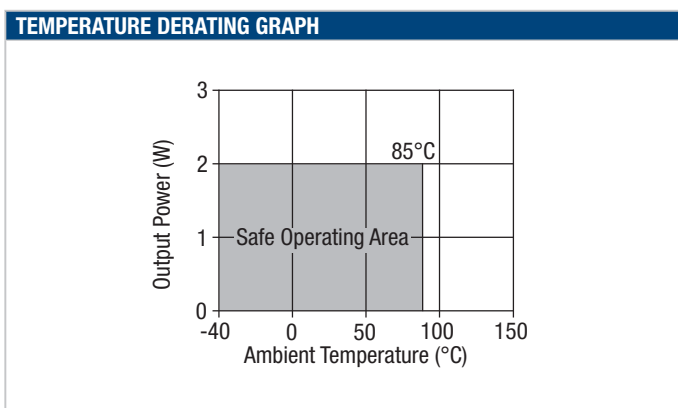
OUTPUT CHARACTERISTICS					
Parameter	Conditions	Min.	Typ.	Max.	Units
Rated Power	T <sub>A</sub> =-40°C to 85°C, see derating graph			2	W
Voltage Set Point Accuracy	NMH0505DC/SC	-5		7.5	%
	All other types	-5		5	
Line regulation	High V <sub>IN</sub> to low V <sub>IN</sub>		1.0	1.2	%/%
Load Regulation	10% load to rated load, 5V output types		5	10	%
	10% load to rated load, 9V output types				
	10% load to rated load, 12V output types		3	10	
	10% load to rated load, 15V output types				
Ripple and Noise	BW=DC to 20MHz, 5V output types		150	200	mV p-p
	BW=DC to 20MHz, 9V output types		100	150	
	BW=DC to 20MHz, 12V output types		80	150	
	BW=DC to 20MHz, 15V output types		70	150	

ABSOLUTE MAXIMUM RATINGS	
Lead temperature 1.5mm from case for 10 seconds	260°C
Input voltage V <sub>IN</sub> , NMH05 types	7V
Input voltage V <sub>IN</sub> , NMH12 types	15V
Input voltage V <sub>IN</sub> , NMH24 types	28V
Input voltage V <sub>IN</sub> , NMH48 types	54V

ISOLATION CHARACTERISTICS					
Parameter	Conditions	Min.	Typ.	Max.	Units
Isolation test voltage	Flash tested for 1 second	1000			VDC
Resistance	Viso= 500V	1	10		GΩ

GENERAL CHARACTERISTICS					
Parameter	Conditions	Min.	Typ.	Max.	Units
Switching frequency	5V input types		95		kHz
	12V input types		90		
	24V & 48V input types		80		

TEMPERATURE CHARACTERISTICS					
Parameter	Conditions	Min.	Typ.	Max.	Units
Specification	All output types	-40		85	°C
Storage		-50		130	
Case Temperature above ambient	5V output types		30		
	12V output types		25		
Cooling	Free air convection				



**TECHNICAL NOTES**

**ISOLATION VOLTAGE**

'Hi Pot Test', 'Flash Tested', 'Withstand Voltage', 'Proof Voltage', 'Dielectric Withstand Voltage' & 'Isolation Test Voltage' are all terms that relate to the same thing, a test voltage, applied for a specified time, across a component designed to provide electrical isolation, to verify the integrity of that isolation.

Murata Power Solutions NMH series of DC/DC converters are all 100% production tested at their stated isolation voltage. This is 1kVDC for 1 second.

A question commonly asked is, "What is the continuous voltage that can be applied across the part in normal operation?"

For a part holding no specific agency approvals, such as the NMH series, both input and output should normally be maintained within SELV limits i.e. less than 42.4V peak, or 60VDC. The isolation test voltage represents a measure of immunity to transient voltages and the part should never be used as an element of a safety isolation system. The part could be expected to function correctly with several hundred volts offset applied continuously across the isolation barrier; but then the circuitry on both sides of the barrier must be regarded as operating at an unsafe voltage and further isolation/insulation systems must form a barrier between these circuits and any user-accessible circuitry according to safety standard requirements.

**REPEATED HIGH-VOLTAGE ISOLATION TESTING**

It is well known that repeated high-voltage isolation testing of a barrier component can actually degrade isolation capability, to a lesser or greater degree depending on materials, construction and environment. The NMH series has toroidal isolation transformers, with no additional insulation between primary and secondary windings of enameled wire. While parts can be expected to withstand several times the stated test voltage, the isolation capability does depend on the wire insulation. Any material, including this enamel (typically polyurethane) is susceptible to eventual chemical degradation when subject to very high applied voltages thus implying that the number of tests should be strictly limited. We therefore strongly advise against repeated high voltage isolation testing, but if it is absolutely required, that the voltage be reduced by 20% from specified test voltage.

This consideration equally applies to agency recognised parts rated for better than functional isolation where the wire enamel insulation is always supplemented by a further insulation system of physical spacing or barriers.

**RoHS COMPLIANCE INFORMATION**



This series is compatible with RoHS soldering systems with a peak wave solder temperature of 260°C for 10 seconds. The pin termination finish on the SIP package type is Tin Plate, Hot Dipped over Matte Tin with Nickel Preplate. The DIP types are Matte Tin over Nickel Preplate. Both types in this series are backward compatible with Sn/Pb soldering systems. For further information, please visit [www.murata-ps.com/rohs](http://www.murata-ps.com/rohs)

**APPLICATION NOTES**

**Minimum load**

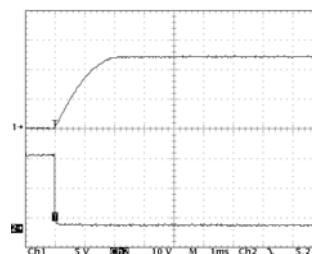
The minimum load to meet datasheet specification is 10% of the full rated load across the specified input voltage range. Lower than 10% minimum loading will result in an increase in output voltage, which may rise to typically double the specified output voltage if the output load falls to less than 5%.

**Capacitive loading and start up**

Typical start up times for this series, with a typical input voltage rise time of 2.2µs and output capacitance of 10µF, are shown in the table below. The product series will start into a capacitance of 47µF with an increased start time, however, the maximum recommended output capacitance is 10µF.

	Start-up time µs		Start-up time µs
NMH0505SC	1072	NMH2405SC	1064
NMH0509SC	2481	NMH2409SC	1544
NMH0512SC	3546	NMH2412SC	4398
NMH0515SC	5380	NMH2415SC	4230
NMH1205SC	672	NMH4805SC	966
NMH1209SC	1152	NMH4809SC	1220
NMH1212SC	1580	NMH4812SC	2822
NMH1215SC	3150	NMH4815SC	4275

Typical Start-Up Wave Form



**APPLICATION NOTES (continued)**

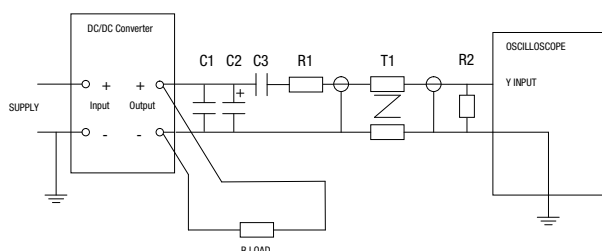
**Ripple & Noise Characterisation Method**

Ripple and noise measurements are performed with the following test configuration.

C1	1 $\mu$ F X7R multilayer ceramic capacitor, voltage rating to be a minimum of 3 times the output voltage of the DC/DC converter
C2	10 $\mu$ F tantalum capacitor, voltage rating to be a minimum of 1.5 times the output voltage of the DC/DC converter with an ESR of less than 100m $\Omega$ at 100 kHz
C3	100nF multilayer ceramic capacitor, general purpose
R1	450 $\Omega$ resistor, carbon film, $\pm$ 1% tolerance
R2	50 $\Omega$ BNC termination
T1	3T of the coax cable through a ferrite toroid
RLOAD	Resistive load to the maximum power rating of the DC/DC converter. Connections should be made via twisted wires

Measured values are multiplied by 10 to obtain the specified values.

**Differential Mode Noise Test Schematic**



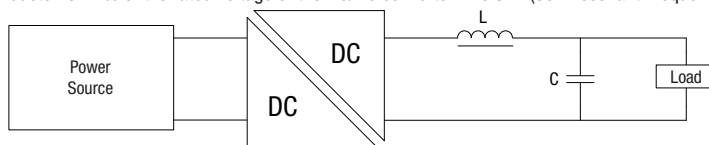
**OUTPUT RIPPLE REDUCTION**

By using the values of inductance and capacitance stated, the output ripple at the rated load is lowered to 5mV p-p max.

**Component selection**

**Capacitor:** Ceramic chip capacitors are recommended. It is required that the ESR (Equivalent Series Resistance) should be as low as possible, X7R types are recommended. The voltage rating should be at least twice (except for 15V output), the rated output voltage of the DC/DC converter.

**Inductor:** The rated current of the inductor should not be less than that of the output of the DC/DC converter. At the rated current, the DC resistance of the inductor should be such that the voltage drop across the inductor is <2% of the rated voltage of the DC/DC converter. The SRF (Self Resonant Frequency) should be >20MHz.



Order Code	L ( $\mu$ H)	Inductor Order Codes		C ( $\mu$ F)
		SMD	Through Hole	
NMH0505XC	47	82473C	11R473C	4.7
NMH0509XC	47	82473C	11R473C	2.2
NMH0512XC	150	82154C	11R154C	3.3
NMH0515XC	100	82104C	11R104C	3.3
NMH1205XC	47	82473C	11R473C	4.7
NMH1209XC	47	82473C	11R473C	2.2
NMH1212XC	150	82154C	11R154C	3.3
NMH1215XC	100	82104C	11R104C	3.3
NMH2405XC	47	82473C	11R473C	4.7
NMH2409XC	47	82473C	11R473C	2.2
NMH2412XC	150	82154C	11R154C	3.3
NMH2415XC	100	82104C	11R104C	3.3
NMH4805XC	47	82473C	11R473C	4.7
NMH4809XC	47	82473C	11R473C	2.2
NMH4812XC	150	82154C	11R154C	3.3
NMH4815XC	100	82104C	11R104C	3.3

Product specification for MPS inductors can be found at:

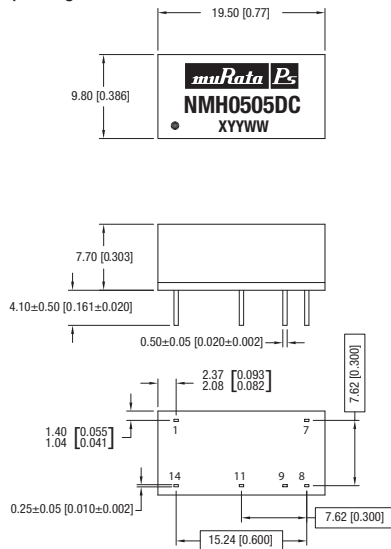
1100R Series (Through Hole)  
[http://www.murata-ps.com/data/magnetics/kmp\\_1100r.pdf](http://www.murata-ps.com/data/magnetics/kmp_1100r.pdf)

8200 Series (SMD)  
[http://www.murata-ps.com/data/magnetics/kmp\\_8200c.pdf](http://www.murata-ps.com/data/magnetics/kmp_8200c.pdf)

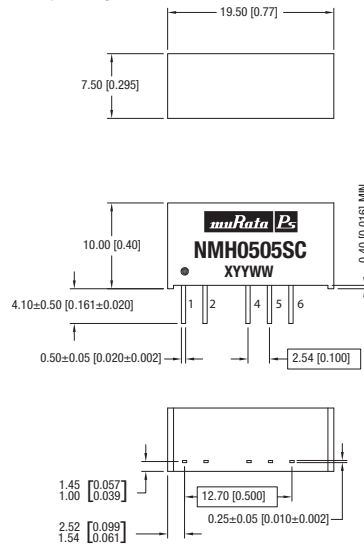
### PACKAGE SPECIFICATIONS

#### MECHANICAL DIMENSIONS

##### DIP package



##### SIP package



#### PIN CONNECTIONS - 14 PIN DIP

Pin	Function
1	-VIN
7	NC
8	OV
9	+VOUT
11	-VOUT
14	+VIN

#### PIN CONNECTIONS - 7 PIN SIP

Pin	Function
1	+VIN
2	-VIN
4	-VOUT
5	OV
6	+VOUT

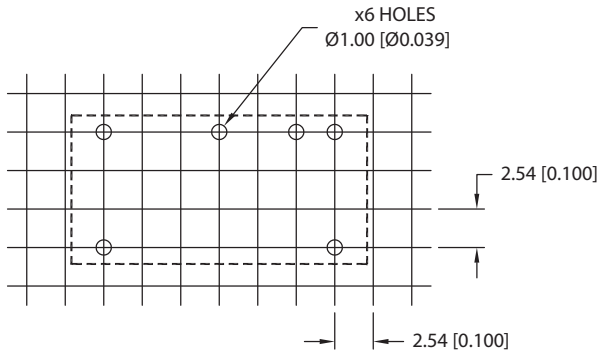
Unless otherwise stated all dimensions in mm (inches)  $\pm 0.25$ mm (0.010"). Controlling dimension is mm.  
All pins on a 2.54mm (0.100") pitch and within 0.25mm (0.010") of true position.

Weight: 2.85g (DIP) 2.76g (SIP)

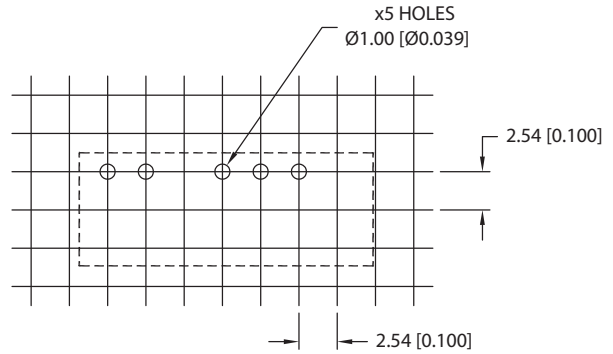
**PACKAGE SPECIFICATIONS (continued)**

**RECOMMENDED FOOTPRINT DETAILS**

14 Pin DIP Package

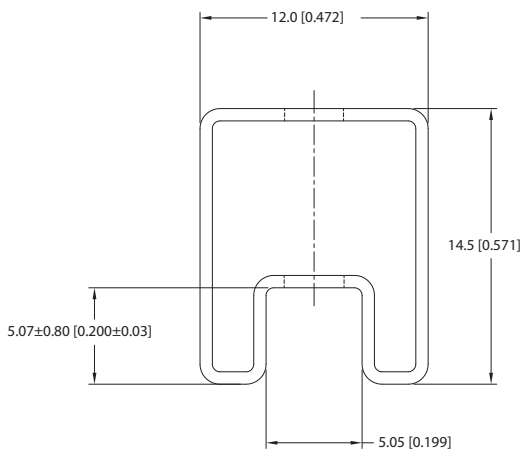


7 Pin SIP Package

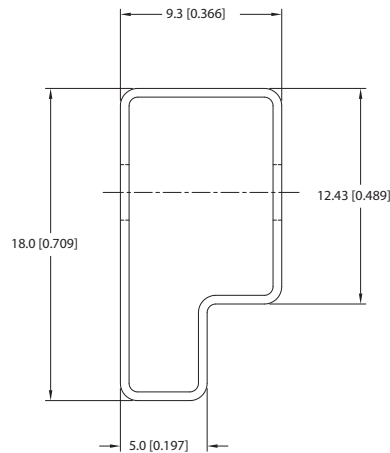


**TUBE OUTLINE DIMENSIONS**

14 Pin DIP Tube



7 Pin SIP Tube



Unless otherwise specified all dimensions in mm [inches] ±0.55mm [0.022]. Tube length (14 Pin DIP) : 520mm [20.472] ±2.0 [0.079]. Tube length (7 Pin SIP) : 520mm [20.472] ±2.0 [0.079].

Tube Quantity : 25

Murata Power Solutions, Inc.  
11 Cabot Boulevard, Mansfield, MA 02048-1151 U.S.A.  
ISO 9001 and 14001 REGISTERED



This product is subject to the following **operating requirements** and the **Life and Safety Critical Application Sales Policy**:  
Refer to: <http://www.murata-ps.com/requirements/>

Murata Power Solutions, Inc. makes no representation that the use of its products in the circuits described herein, or the use of other technical information contained herein, will not infringe upon existing or future patent rights. The descriptions contained herein do not imply the granting of licenses to make, use, or sell equipment constructed in accordance therewith. Specifications are subject to change without notice. © 2017 Murata Power Solutions, Inc.

# Mouser Electronics

Authorized Distributor

Click to View Pricing, Inventory, Delivery & Lifecycle Information:

## Murata:

[NMH0512SC](#) [NMH2405SC](#) [NMH1209SC](#) [NMH0515SC](#) [NMH0515DC](#) [NMH1209DC](#) [NMH1205DC](#) [NMH1205SC](#)  
[NMH2409SC](#) [NMH2409DC](#) [NMH0509DC](#) [NMH0509SC](#) [NMH1215SC](#) [NMH0505DC](#) [NMH0505SC](#) [NMH1215DC](#)  
[NMH0512DC](#) [NMH1212SC](#) [NMH1212DC](#) [NMH2405DC](#) [NMH2412SC](#) [NMH2412DC](#) [NMH2415SC](#) [NMH2415DC](#)