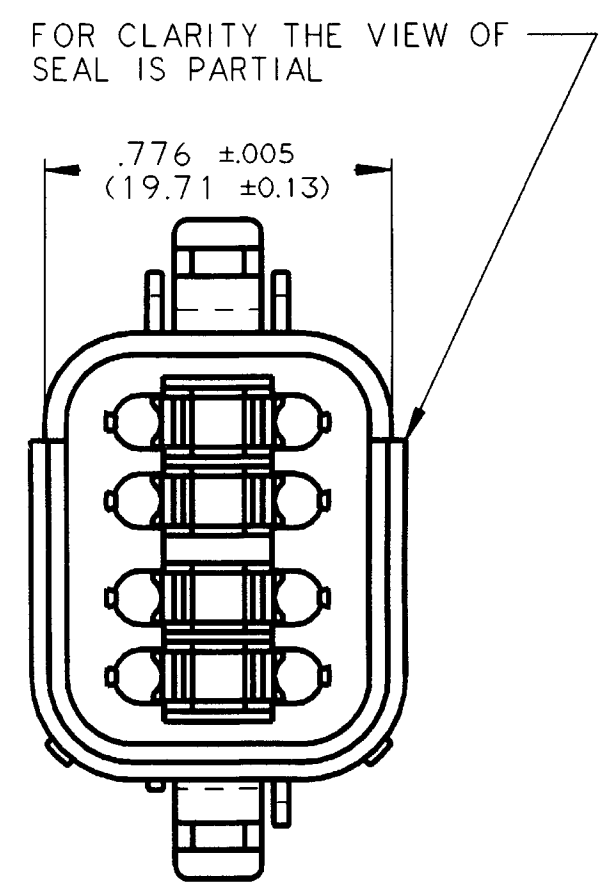
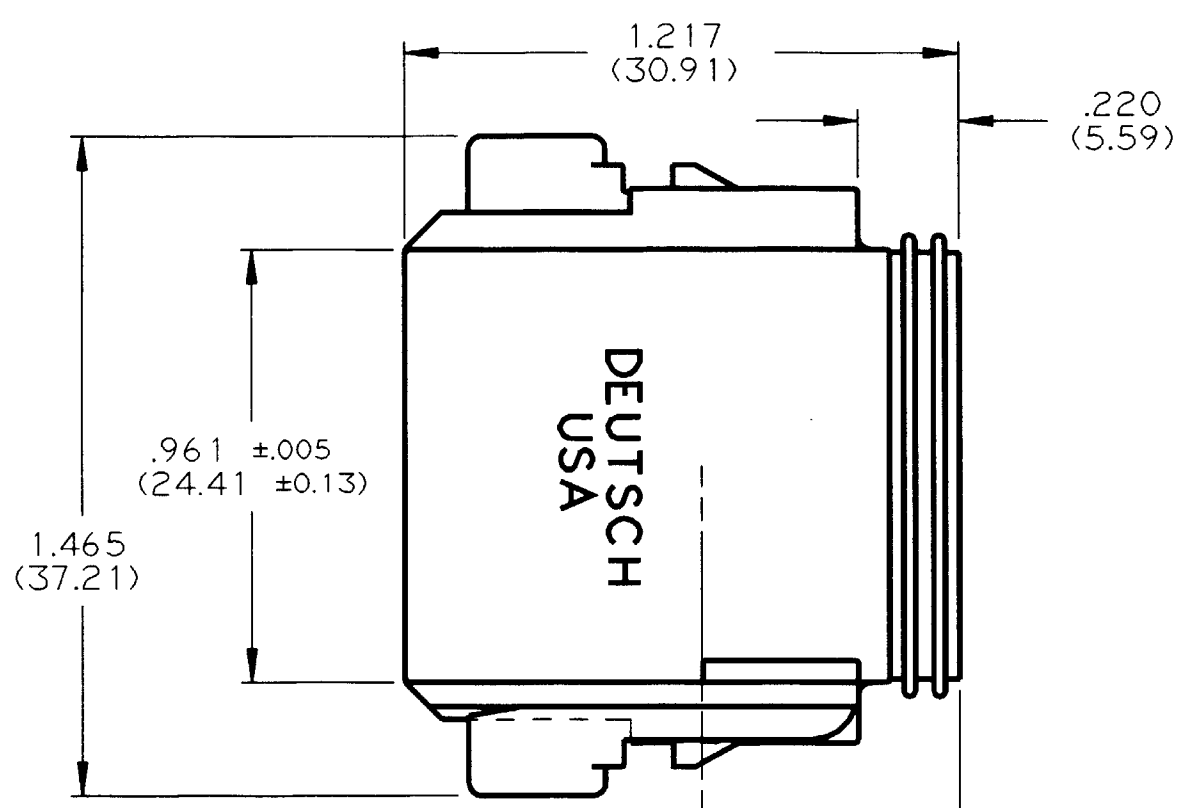
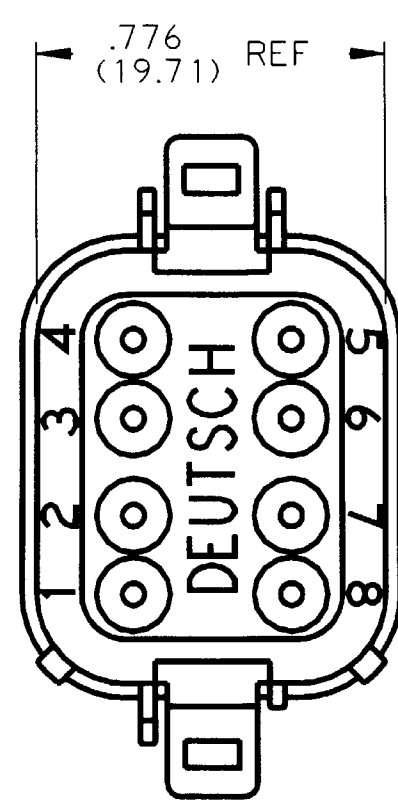


REV  
D DT06-08SB

| REVISIONS |                                     |         |          |
|-----------|-------------------------------------|---------|----------|
| SYM       | DESCRIPTION                         | DATE    | APPROVED |
| C         | REVISED AND REDRAWN PER E.O. A09284 | 12/2/89 | J.A.     |
| D         | REVISED PER E.O. A09335             | 9/6/90  | J.A.     |
| E         | REVISED PER E.O. P15019             | 4-4-96  | ADR      |



.562 (14.27)  
PLUG INSERTS INTO RECEPT.  
WITHIN THIS DISTANCE.

- NOTES:
1. ALL DIMENSIONS ARE IN INCHES (METRIC).
  2. ALL DIMENSIONS ARE ±.025 (0.63) UNLESS OTHERWISE SPECIFIED.
  3. CONSULT FACTORY FOR CONTACT SPECIFICATION AND APPLICATION.
  4. FOR MORE INFO SEE ENVELOPE DWG. 0425-017-0000 AND 0425-015-0000.

| SIGNATURE & DATE |                             |
|------------------|-----------------------------|
| DR               | C. WOODRUFF 05 JUL 90       |
| CHK              |                             |
| PE               | <i>W. J. Tomasi</i> 05-2-90 |
| APPD             | <i>R. Reed</i> 4-4-96       |
| SCALE            | NONE                        |
| WT               |                             |

8 WAY PLUG  
COLOR: BLACK  
D.T. SERIES

ENVELOPE

|                                                                                           |                         |
|-------------------------------------------------------------------------------------------|-------------------------|
| CP                                                                                        | MATL CODE               |
| <b>The Deutsch Company</b><br>DEUTSCH IPD<br>37140 INDUSTRIAL AVE.<br>HEMET, CALIF. 92343 |                         |
| <b>DT06-08SB</b>                                                                          |                         |
| DWG SIZE                                                                                  | CODE 11139 SHEET 1 OF 1 |

# Mouser Electronics

Authorized Distributor

Click to View Pricing, Inventory, Delivery & Lifecycle Information:

[TE Connectivity:](#)

[DT06-08SB](#)