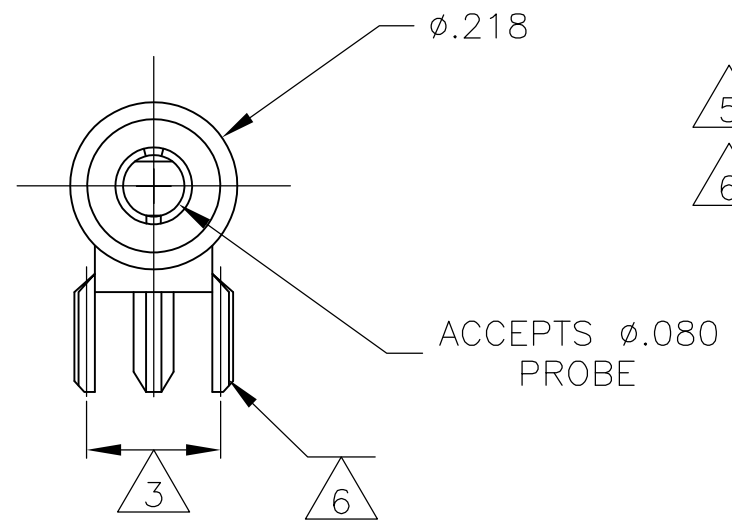
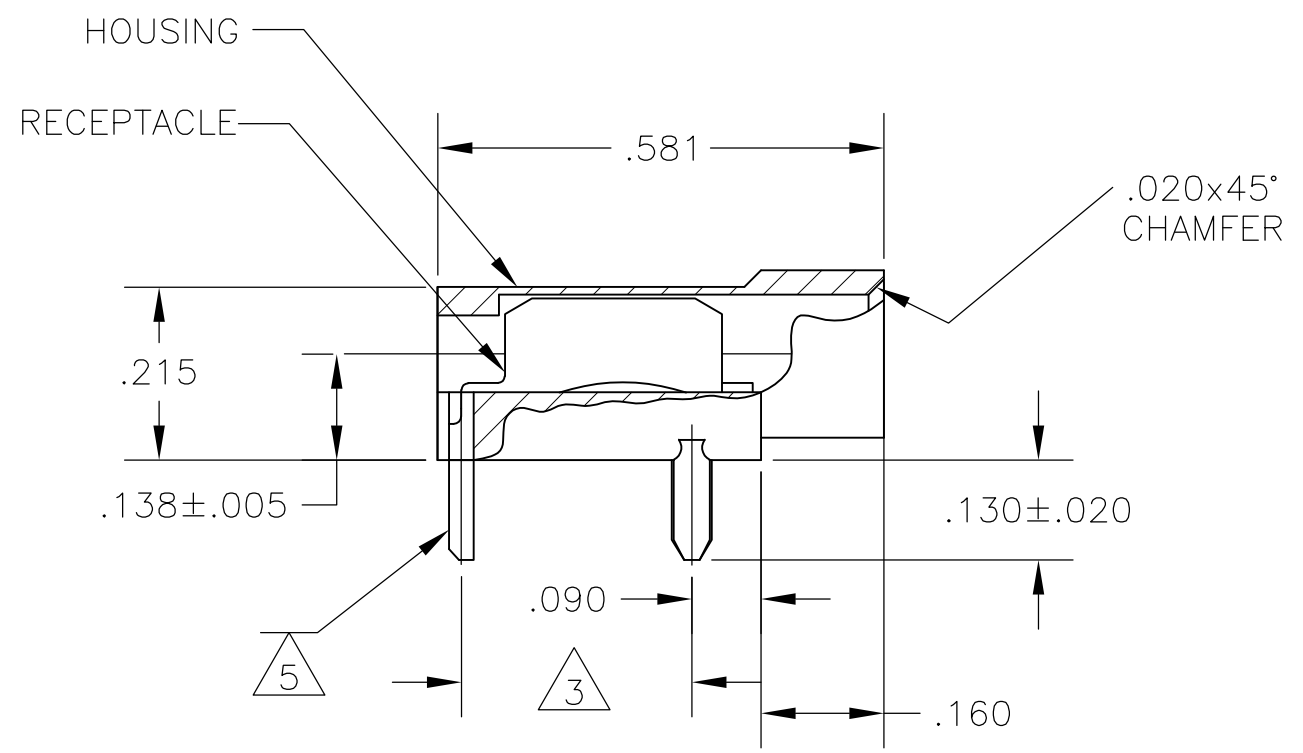


THIS DRAWING IS UNPUBLISHED. RELEASED FOR PUBLICATION  
 © COPYRIGHT - By - ALL RIGHTS RESERVED.

| LOC | DIST | REVISIONS |     |                           |         |     |      |
|-----|------|-----------|-----|---------------------------|---------|-----|------|
| AF  | 50   | P         | LTR | DESCRIPTION               | DATE    | DWN | APVD |
|     |      | L2        |     | REVISED PER ECO-11-004587 | 11MAR11 | RK  | HMR  |



- 1 OPERATING TEMPERATURE, 105°C MAX
- 2 RETENTION FORCE-16 OZ MIN INITIALLY, 6 OZ MIN AFTER 500 CYCLES.
- 3 REFER TO MOUNTING HOLE PATTERN.
- 5 SINGLE LEG IS LIVE CIRCUIT
- 6 DOUBLE LEGS FOR MECHANICAL MOUNTING ONLY.



RECOMMENDED MOUNTING HOLE PATTERN

|          |                          |               |          |
|----------|--------------------------|---------------|----------|
|          | GOLD                     | WHITE         | 350180-9 |
| OBSOLETE | GOLD                     | GRAY          | 350180-8 |
|          | GOLD                     | VIOLET        | 350180-7 |
|          | GOLD                     | BLUE          | 350180-6 |
|          | GOLD                     | GREEN         | 350180-5 |
|          | GOLD                     | YELLOW        | 350180-4 |
|          | GOLD                     | ORANGE        | 350180-3 |
|          | GOLD                     | RED           | 350180-2 |
| OBSOLETE | GOLD                     | BROWN         | 350180-1 |
|          | GOLD                     | BLACK         | 350180-0 |
|          | RECEPTACLE & LEGS FINISH | HOUSING COLOR | ASSY NO. |

|   |  |                           |                            |                 |
|---|--|---------------------------|----------------------------|-----------------|
| THIS DRAWING IS A CONTROLLED DOCUMENT.                              |  | DWN RAGHAVENDRA 11JUL2008 | <b>STE</b> TE Connectivity |                 |
| DIMENSIONS: INCHES  |  | CHK JEFF RUTH 11JUL2008   |                            |                 |
| TOLERANCES UNLESS OTHERWISE SPECIFIED:                              |  | APVD ED HOWARD 11JUL2008  | NAME                       |                 |
| 0 PLC ± -   |  | PRODUCT SPEC              | TEST PROBE ASSY            |                 |
| 1 PLC ± -   |  | APPLICATION SPEC          | RESTRICTED TO              |                 |
| 2 PLC ± .015  |  | WEIGHT -                  | SIZE A3                    | CAGE CODE 00779 |
| 3 PLC ± -   |  | FINISH                    | DRAWING NO                 | 350180          |
| 4 PLC ± -   |  |                           | SCALE                      | 4:1             |
| ANGLES ± 1° 0'  |  | CUSTOMER DRAWING          |                            | REV L2          |
| MATERIAL HOUSING, NYLON TYPE 6/6 RECEPTACLE & LEGS, ASTM-B36 ALLOY6 |  |                           |                            |                 |

# Mouser Electronics

Authorized Distributor

Click to View Pricing, Inventory, Delivery & Lifecycle Information:

[TE Connectivity:](#)

[350180-2](#)