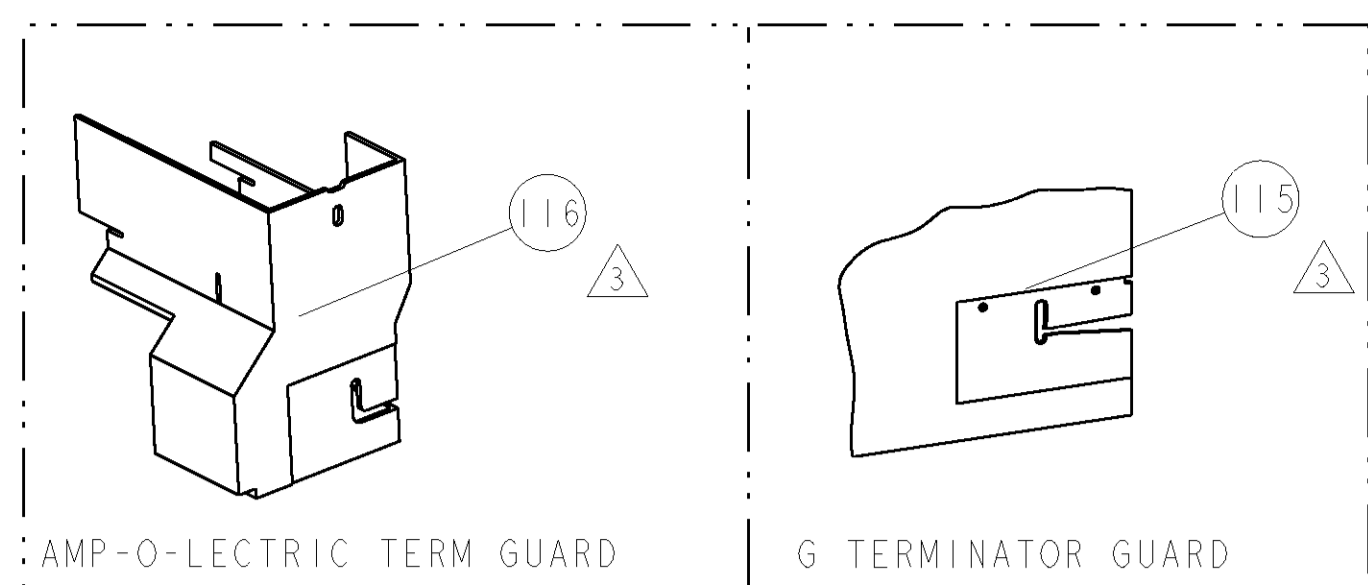


PART NUMBER	REV	FIRST USED	POWER UNIT	FEED TYPE	DESCRIPTION
1855125-1	A	122500-1	LEADMAKER	POST FEED	CUTS CARRIER
1855125-2	A	565435-5	BENCH MODEL K	PRE FEED	CUTS CARRIER
1855125-3	A	354500-1	BENCH MODEL G	PRE FEED	CUTS CARRIER
1855125-6	A	122500-1	LEADMAKER	POST FEED	CONTINUOUS CARRIER
7-1855125-7	A	-	-	-	SPARE PARTS

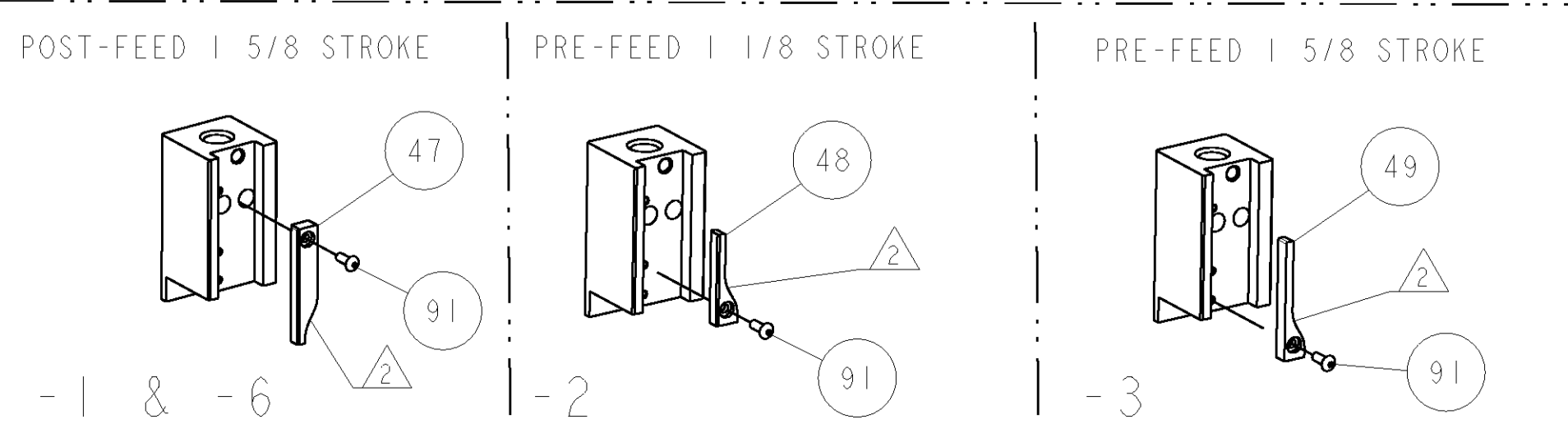
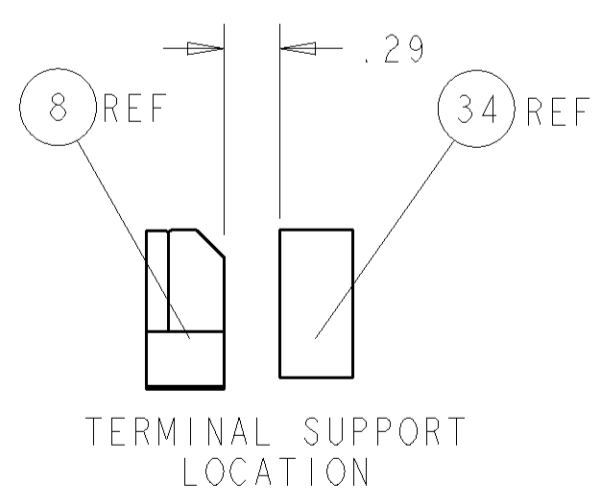
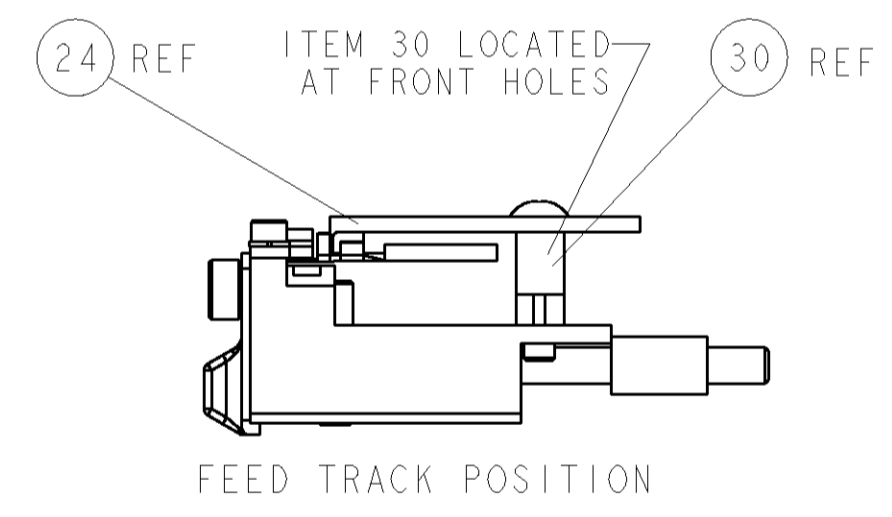
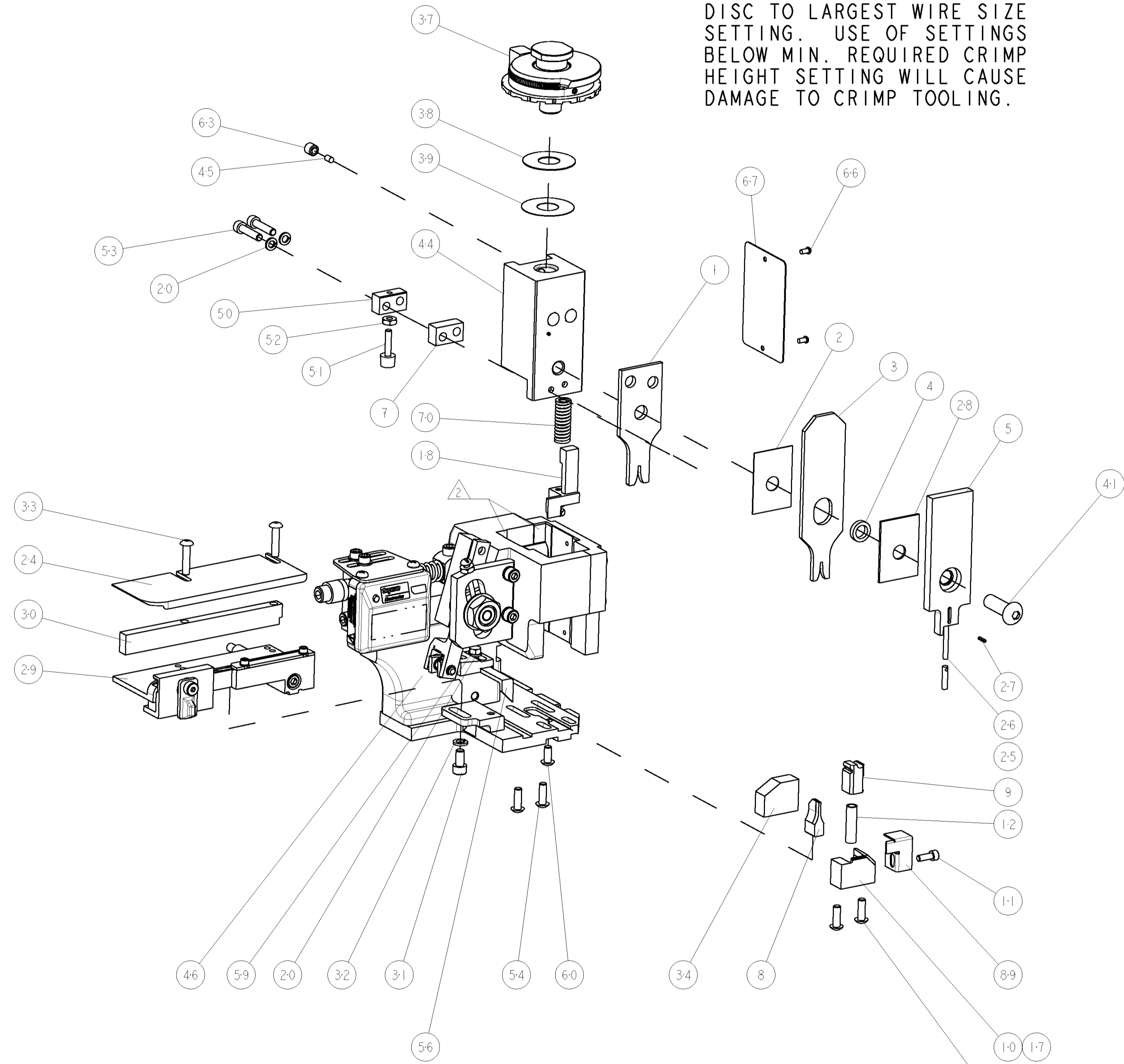


TERMINAL NAME: 040-3 UNSEALED CONTACT TAB				
353537	-	AMP TERMINAL - AMP CRIMP SPECS		
-	-	CRIMP HEIGHT	WIRE SIZE	REF SETTING
-	-	1.26±0.05mm [.050±.002]	0.5mm2 [20 AWG]	C1
-	-	1.17±0.05mm [.046±.002]	0.3mm2 [22 AWG]	D0
-	-	CRIMP	SIZE	TYPE
-	-	WIRE	1.70mm [.067]	F
-	-	INSUL	1.57mm [.062]	F
-	-	FEED	9.5mm	Ø 1.4-1.7mm
WIRE STRIP LENGTH	TERM APPL SPEC	FEED	APPLICATOR INSTRUCTIONS	SET UP GAGE
4.0 - 4.5mm	114-5228	9.5mm	408-8040 & 408-8490	458637-1

LOC	DIST	REV	DESCRIPTION	DATE	DWN	APVD
A	66	A	RELEASED	21OCT2006	RK	TE
		A1	ECR-08-030337	01DEC2008	MY	TE

- △ RECOMMENDED SPARE PARTS
- △ GREASE LIGHTLY
- △ GUARD MUST BE IN PLACE WHEN OPERATING APPLICATOR IN A BENCH MACHINE
- △ THIS APPLICATOR TO RUN ON THE FOLLOWING:
KOMAX BT700 SSC
KIRSTEN K750 STRIPPER CRIMPER SC
PAWO B16 STRIPPER/SEALER/CRIMPER

*** WARNING**
ON INSTALLATION, SET WIRE DISC TO LARGEST WIRE SIZE SETTING. USE OF SETTINGS BELOW MIN. REQUIRED CRIMP HEIGHT SETTING WILL CAUSE DAMAGE TO CRIMP TOOLING.



QTY	REF	DESCRIPTION	ITEM NO
1	REF	455749-1 GUARD WINDOW	116
1	REF	679532-1 INSERT, GUARD	115
1	1	1-21002-7 SCR, BTN SKT HD CAP 6-32 X .375	91
1	1	318563-1 GUARD, FRONT CHIP	89
1	1	4088040 SF APPL INST 408-8040	72
1	1	217238-1 GENERAL INSTRUCTION PKG	71
1	1	23846-1 SPRING, DIE	70
1	1	461264-5 PLATE, IDENTIFICATION	67
2	2	21017-2 SCREW, DRIVE	66
1	1	21009-2 SCR, SET, SELF LOCKING 1/4-20 X .250	63
1	1	22733-8 SCR, BHSC, SELF-LOCKING, 8-32 X .375	60
1	1	2-22603-0 SCR, HEX HD CAP 8-32 X .312	59
1	1	458537-2 PAWL, FEED	56
4	4	2-21002-2 SCR, BTN SKT HD CAP 8-32 X .500	54
2	2	2-21000-9 SCR, SKT HD CAP 8-32 X .750	53
1	1	21018-5 NUT, HEX, REG 6-32	52
1	1	811242-2 BUMPER, HOLD DOWN	51
1	1	690753-1 SPACER, TONKER	50
1	1	690602-6 CAM, PRE FEED, 1 5/8	49
1	1	690602-5 CAM, PRE FEED, 1 1/8	48
1	1	690501-4 CAM, POST-FEED 1 5/8	47
1	1	459456-7 APPL. BASIC SUB ASSY (SIDE WISE MOCA)	46
1	1	690191-1 PLUG, NYLON	45
1	1	879377-1 RAM, SIDE FEED	44
1	1	7-21002-9 SCR, BTN SKT HD CAP 5/16-24 X 1.00	41
1	1	690125-1 SHIM SUB-ASSY	39
1	1	469367-9 SHIM	38
1	1	879103-2 FINE ADJUST HEAD ASSEMBLY	37
1	1	690786-1 TERMINAL SUPPORT	34
2	2	2-21002-4 SCR, BTN SKT HD CAP 8-32 X .750	33
1	1	21024-5 WASHER, SPRG LOCK, REG NO 10	32
1	1	3-21000-4 SCR, SKT HD CAP 10-32 X .375	31
1	1	1-1320908-5 SPACER, STRIP GUIDE	30
1	1	1633091-1 ASSEMBLY, STRIP GUIDE	29
1	1	1-455888-0 SPACER, CRIMPER	28
1	1	21028-2 PIN, SLOTTED SPRING .062 X .250	27
1	1	5-547505-2 SPRING, COMPRESSION	26
1	1	854769-1 HOLDER, INS	25
1	1	1320928-3 PLATE, STRIP GUIDE	24
3	3	21024-4 WASHER, SPRG LOCK, REG NO 8	20
1	1	879098-1 REJECTOR	18
1	1	679625-1 SHEAR HOLDER, FRONT (NO CUT)	17
1	1	3-22280-3 SPRING, COMPRESSION	12
1	1	1-21000-9 SCR, SKT HD CAP 6-32 X .375	11
1	1	690459-1 SHEAR HOLDER, FRONT	10
1	1	462006-1 FLOATING SHEAR, FRONT	9
1	1	662520-2 ANVIL, COMBINATION	8
1	1	2-240641-7 SPACER	7
1	1	854772-1 DEPRESSOR, SHEAR	5
1	1	238011-9 BLOCK, CRIMPER SPACER	4
1	1	2-1633471-3 CRIMPER, INSULATION F	3
1	1	455888-3 SPACER, CRIMPER	2
1	1	8-568176-6 CRIMPER, WIRE	1

QTY	REF	PART NO	DESCRIPTION	ITEM NO				
-77	-6	-3	-2	-1	U/M	PART NO	DESCRIPTION	ITEM NO

Mouser Electronics

Authorized Distributor

Click to View Pricing, Inventory, Delivery & Lifecycle Information:

[TE Connectivity:](#)

[1855125-1](#)