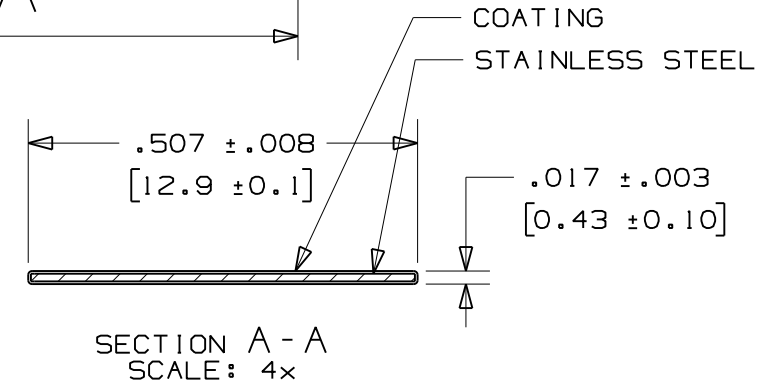
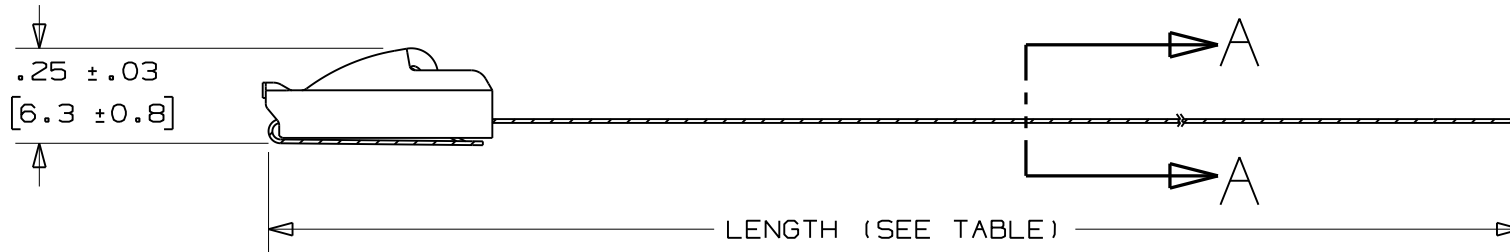
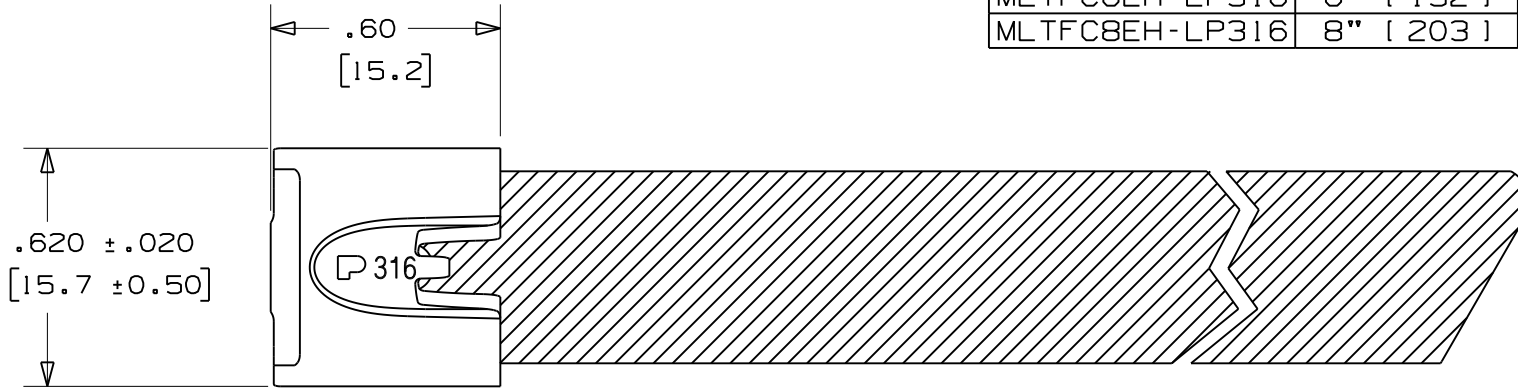


THIS COPY IS PROVIDED ON A RESTRICTED BASIS AND IS NOT TO BE USED IN ANY WAY DETRIMENTAL TO THE INTERESTS OF PANDUIT CORP.

PANDUIT PART NUMBER	MAX. BUNDLE DIAMETER	PACKAGE QUANTITY	LENGTH +/- .3" [7]
MLTFC2EH-LP316	2" [51]	50	11.8" [300]
MLTFC4EH-LP316	4" [102]	50	17.1" [434]
MLTFC6EH-LP316	6" [152]	50	23.4" [594]
MLTFC8EH-LP316	8" [203]	50	29.7" [754]



NOTES:

1. APPLICATION TOOLS - ST3MT & RT2HT
2. MINIMUM LOOP TENSILE STRENGTH - 300 LBS. (1335 NEWTONS) WHEN TESTED ON A 3" MANDREL.
3. BRACKETS [] DENOTES DIMENSION IN MILLIMETERS
4. TOLERANCES:
 .XXX = ±.010 [.25]
 .XX = ±.02 [.5]
 .X = ±.03 [.8]
 ANGLES = ±2°
5. BASE MATERIAL: 316 STAINLESS STEEL
6. COATING - POLYESTER
 COATING THICKNESS: .002 MIN./ .005 MAX. PER SIDE

N41216BS_DC/01A

						TINLEY PARK, ILLINOIS			
01A	10/08	JAMB	SKB					ORIG CAD FILE SPEC WAS S41216_01 NOTE 1: APPLICATION TOOL RTIHT REPLACED BY RT2HT	
01	4/07	JMMR	EJD	ADDED NOTE 6	SS00350	METAL LOCKING TIE EXTRA HEAVY DUTY FULLY COATED 316 STAINLESS STEEL CUSTOMER DRAWING			
00	9/05	JAMB	EJD	RELEASED	SS00052				
REV	DATE	BY	CHK	DESCRIPTION	ECN #	DRAWN BY JAMB	CHK'D EJD	SCALE 2x	DRAWING NO. N41216BS_DC

Mouser Electronics

Authorized Distributor

Click to View Pricing, Inventory, Delivery & Lifecycle Information:

Panduit:

[MLTFC2EH-LP316](#) [MLTFC4EH-LP316](#)