

**PLEASE CHECK WWW.MOLEX.COM FOR LATEST PART INFORMATION**

**Part Number:** [0190190057](#)  
**Status:** **Active**  
**Description:** .250X.032 FEM.QD AVIK./REEL (PZ-8142)

**Documents:**

<a href="#">Drawing (PDF)</a>	<a href="#">Product Specification PS-19902-014-001 (PDF)</a>
<a href="#">Product Specification PS-19902-011-001 (PDF)</a>	<a href="#">RoHS Certificate of Compliance (PDF)</a>

**Agency Certification**

CSA	LR18689
UL	E79133

**General**

Product Family	Quick Disconnects
Series	<a href="#">19019</a>
Crimp Quality Equipment	Yes
Insulated	Partial
UPC	800753038622

**Physical**

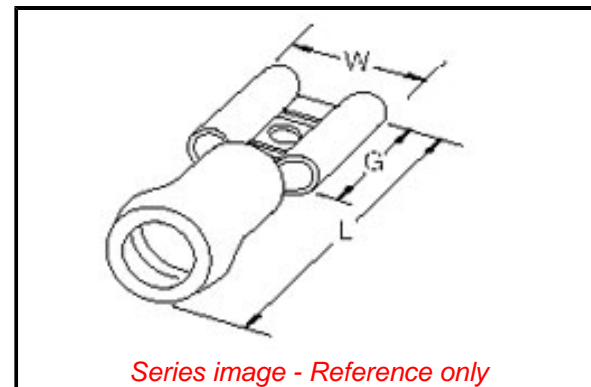
Flammability	94V-2
Insulation	Nylon (PA)
Net Weight	1.145/g

**Material Info**

Engineering Number	PZ-8142
--------------------	---------

**Reference - Drawing Numbers**

Product Specification	PS-19902-011-001, PS-19902-014-001
Sales Drawing	SD-19019-001



**EU ELV**

**Not Relevant**

**EU RoHS**

**Compliant**

**REACH SVHC**

Not Contained Per -  
ED/71/2019 (16 July  
2019)

**Halogen-Free**

**Status**

**Low-Halogen**

For more information, please visit [Contact US](#)

China ROHS

ELV

RoHS Phthalates

**China RoHS**

Green Image

Not Relevant

Not Contained

**Search Parts in this Series**

[19019 Series](#)

**Application Tooling | [FAQ](#)**

*Tooling specifications and manuals are found by selecting the products below. Crimp Height Specifications are then contained in the Application Tooling Specification document.*

**Global**

**Description**

**Product #**

Mini-Mac Die Set of 4 MMZ for use with 12-14 AWG AVIK	<a href="#">198092000</a>
---	---------------------------

# Mouser Electronics

Authorized Distributor

Click to View Pricing, Inventory, Delivery & Lifecycle Information:

[Molex:](#)

[19019-0057](#)