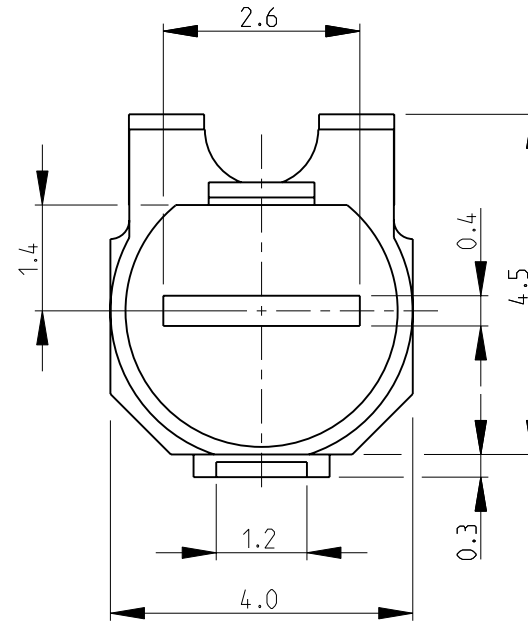
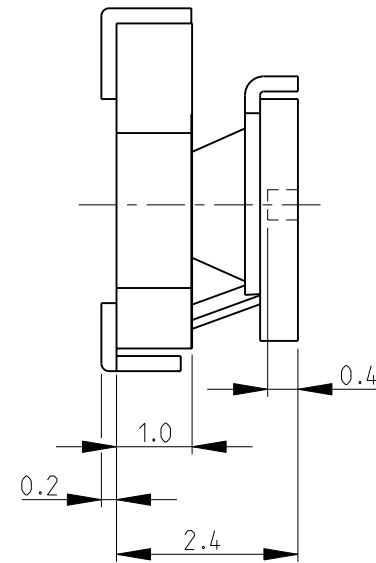
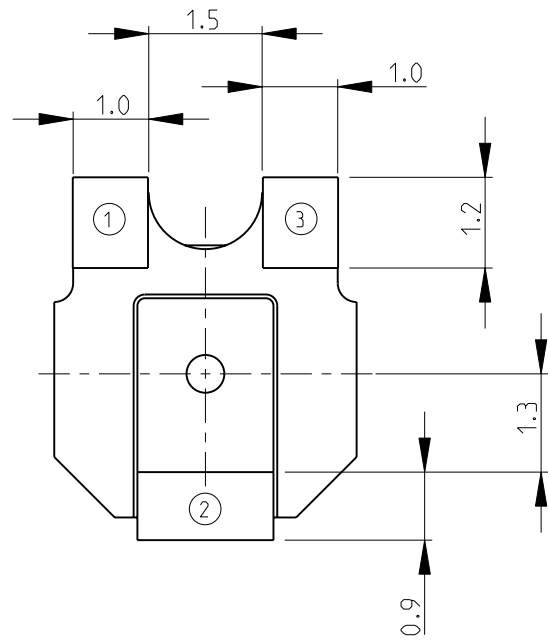


THIS DRAWING IS UNPUBLISHED. RELEASED FOR PUBLICATION 2008
 © COPYRIGHT 2008 BY - ALL RIGHTS RESERVED.

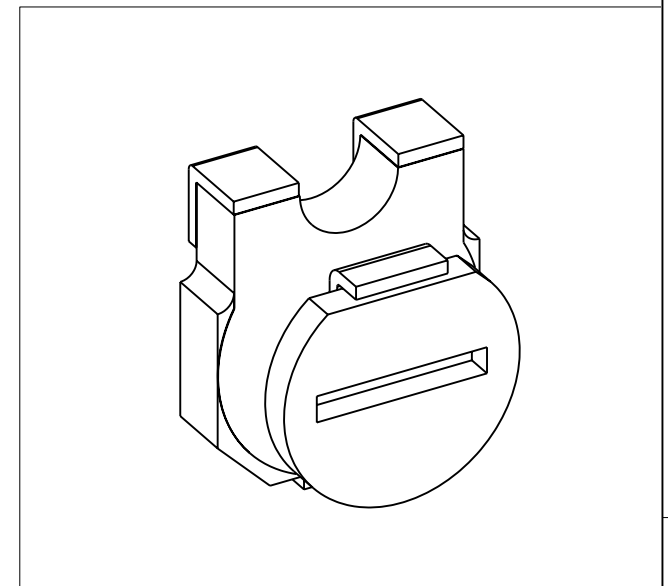
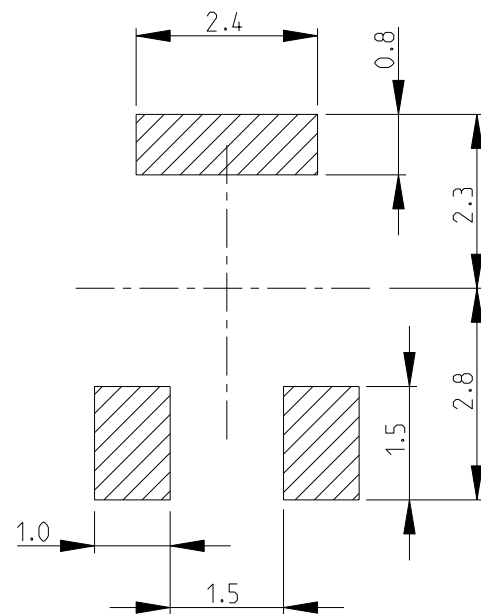
| LOC | DIST | REVISIONS | | | | |
|-----|------|-------------|---------------------------|-----------|--------|--|
| P | LTR | DESCRIPTION | DATE | DWN | APVD | |
| E | B | A1 | REVISED PER ECO-11-005150 | 29MAR2011 | RK HMR | |


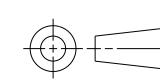
FOR FURTHER INFORMATION SEE DATA SHEET FOR
 3142 SERIES-SMD ECONOMY TRIMMERS



RoHS Compliant

RECOMMENDED LAND PATTERN



| | | | | | |
|---|------|------------------|----------------------|-----------|---|
| THIS DRAWING IS A CONTROLLED DOCUMENT. | | DWN | SUBHASH.M 12-NOV-08 | |  TE Connectivity |
| DIMENSIONS: mm | | CHK | PRAKASH.S 12-NOV-08 | | |
|  | | APVD | STEPHEN.P 12-NOV-08 | | |
| TOLERANCES UNLESS OTHERWISE SPECIFIED: | | PRODUCT SPEC | NAME | | |
| 0 PLC | ±0.2 | - | SMD ECONOMY TRIMMERS | | |
| 1 PLC | ±0.1 | - | SERIES 3142 | | |
| 2 PLC | ± | - | SIZE | CAGE CODE | DRAWING NO |
| 3 PLC | ± | - | A3 | 00779 | C=1623920 |
| 4 PLC | ± | - | RESTRICTED TO | | |
| ANGLES | ±5° | - | - | | |
| MATERIAL | - | FINISH | - | | |
| - | | WEIGHT | - | | |
| - | | CUSTOMER DRAWING | SCALE | SHEET | REV |
| - | | - | 10:1 | 1 OF 1 | A1 |

Mouser Electronics

Authorized Distributor

Click to View Pricing, Inventory, Delivery & Lifecycle Information:

[TE Connectivity:](#)

[3142W102P](#)