

## D-SUB coupling - VS-25-KU-BU/BU - 1689679

Please be informed that the data shown in this PDF Document is generated from our Online Catalog. Please find the complete data in the user's documentation. Our General Terms of Use for Downloads are valid (<http://phoenixcontact.com/download>)



D-SUB coupling, shell size 3, socket, gender changer, shielded, connection direction straight, IP67 degree of protection



### Key Commercial Data

Packing unit	1 pc
Minimum order quantity	5 pc
Weight per Piece (excluding packing)	33.36 g
Custom tariff number	85366990
Country of origin	Germany

### Technical data

#### Mechanical characteristics

Number of positions	25
Insertion/withdrawal cycles	≥ 200
Cable exit	straight
Color	gray

#### Ambient conditions

Ambient temperature (operation)	-40 °C ... 80 °C
---------------------------------	------------------

#### Material data

Flammability rating according to UL 94	V0
Housing material	PA
Contact carrier material	Polyester GF
Contact material	Copper alloy
Contact surface material	Hard gold-plated over nickel
Sealing material	EPDM
Seal material	EPDM

## D-SUB coupling - VS-25-KU-BU/BU - 1689679

### Technical data

#### Electrical characteristics

Number of positions	25
Rated current	5 A
Overvoltage category	III
Degree of pollution	2

#### Standards and Regulations

Flammability rating according to UL 94	V0
--	----

### Classifications

#### eCl@ss

eCl@ss 4.0	27140816
eCl@ss 4.1	27260701
eCl@ss 5.0	27260701
eCl@ss 5.1	27260701
eCl@ss 6.0	27261203
eCl@ss 7.0	27440202
eCl@ss 8.0	27440213

#### ETIM

ETIM 2.0	EC000437
ETIM 3.0	EC000437
ETIM 4.0	EC000437
ETIM 5.0	EC001136

#### UNSPSC

UNSPSC 6.01	31261501
UNSPSC 7.0901	31261501
UNSPSC 11	31261501
UNSPSC 12.01	31261501
UNSPSC 13.2	31261501

### Approvals

#### Approvals

---

Approvals

EAC / EAC

## D-SUB coupling - VS-25-KU-BU/BU - 1689679

### Approvals

---

Ex Approvals

---

Approvals submitted

---

### Approval details

EAC
-----

EAC
-----

### Accessories

#### Accessories

#### Protective cover

D-SUB protective cover - VS-25-SD - 1652211



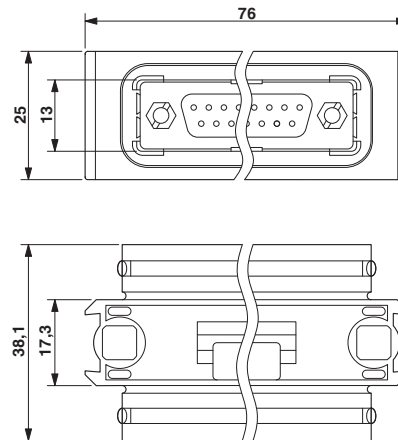
D-SUB protective cover, shell size 3, IP54 degree of protection, for panel mounting frame and sleeve housing VS-25-...

---

### Drawings

## D-SUB coupling - VS-25-KU-BU/BU - 1689679

Dimensional drawing



D-SUB coupling

# Mouser Electronics

Authorized Distributor

Click to View Pricing, Inventory, Delivery & Lifecycle Information:

[Phoenix Contact:](#)

[1689679](#)